

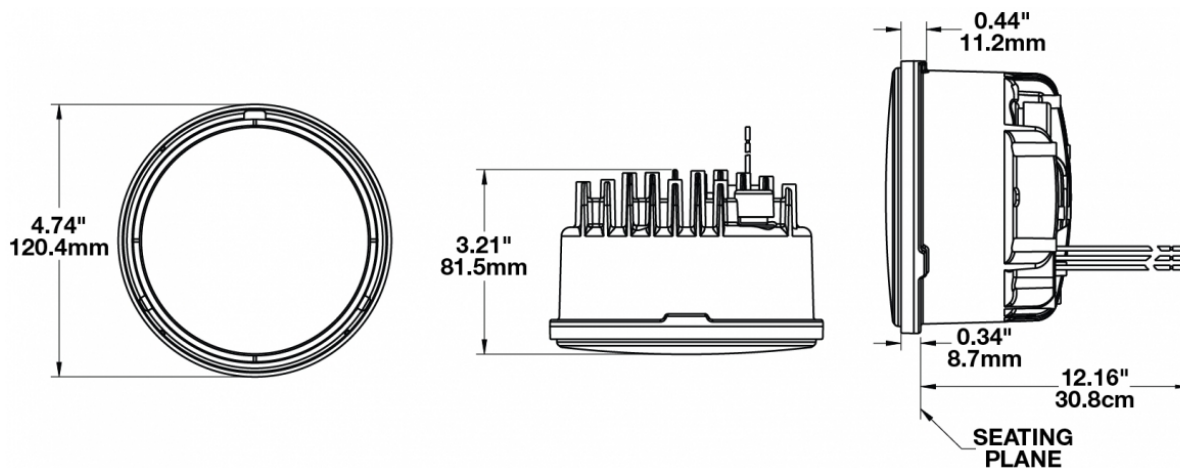
LED Headlights - Model 6130 Evolution

PRODUCT INFORMATION

Description	12-24V DOT/ECE LED High Beam Headlight
Height	120.40 mm / 4.74 in
Width	120.40 mm / 4.74 in
Depth	81.53 mm / 3.21 in
Shape	Round
Outer Lens Material	Polycarbonate
Outer Lens Color	Clear
Housing Material	Aluminum
Housing Color	Black
Bezel Color	Black
Connector or Wiring	12" Flying Leads
Mating Connector	n/a
Product Weight	1.50 lbs / 0.68 kgs
Shipping Weight	1.68 lbs / 0.76 kgs



PRODUCT DIMENSIONS



Print date: 2018-07-17

© 2018 J.W. Speaker Corporation • Germantown, WI U.S.A.
www.jwspeaker.com • speaker@jwspeaker.com • 262.251.6660

LED Headlights - Model 6130 Evolution

ELECTRICAL SPECIFICATIONS

Input Voltage	12-24V DC
Operating Voltage	10-30V DC
Black Wire	Ground
Yellow Wire	Front Position
White Wire	High Beam
Current Draw	1.84A @ 12V DC (High Beam) 0.84A @ 24V DC (High Beam) 0.11A @ 12V DC (Front Position) 0.09A @ 24V DC (Front Position)

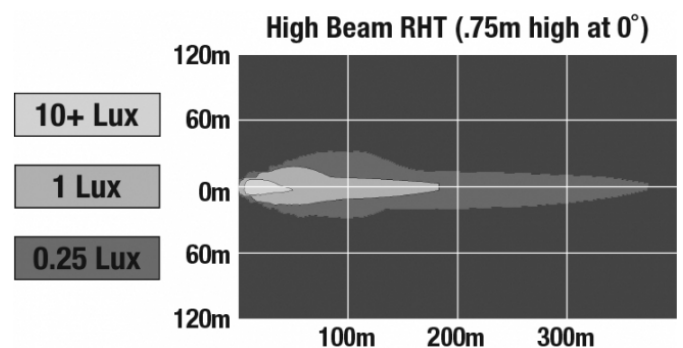
REGULATORY STANDARDS COMPLIANCE



Buy America Standards	ECE Reg 112
ECE Reg 7	Eco Friendly
FMVSS 108 Table XVIII	IEC IP67

PHOTOMETRIC SPECIFICATIONS

Raw Lumen Output	1,760 (High Beam)
Effective Lumen Output	955 (High Beam)
Beam Pattern(s)	Forward Lighting - High Beam (DOT/ECE) Signalization - Front Position



Print date: 2018-07-17

© 2018 J.W. Speaker Corporation • Germantown, WI U.S.A.
www.jwspeaker.com • speaker@jwspeaker.com • 262.251.6660

LED Headlights - Model 6130 Evolution

APPLICATIONS



ADDITIONAL INFORMATION

Jump Start: 48V for 2 min
Reverse Polarity: -24V for 2 min
Load Dump: 150V 5 pulses 10 sec intervals
Inductive Switching: 600V 10 pulses 1 sec intervals
Mutual Coupling: 300V 10 pulses 1 sec intervals

RELATED PRODUCTS



Part Number
0549851
12-24V DOT/ECE LED
RHT Low Beam
Headlight



Part Number
0549861
12-24V ECE LED LHT
Low Beam Headlight



Part Number
0549881
12-24V DOT/ECE LED
RHT High & Low Beam
Headlight



Part Number
0549891
12-24V ECE LED LHT
High & Low Beam
Headlight

Print date: 2018-07-17

© 2018 J.W. Speaker Corporation • Germantown, WI U.S.A.
www.jwspeaker.com • speaker@jwspeaker.com • 262.251.6660