

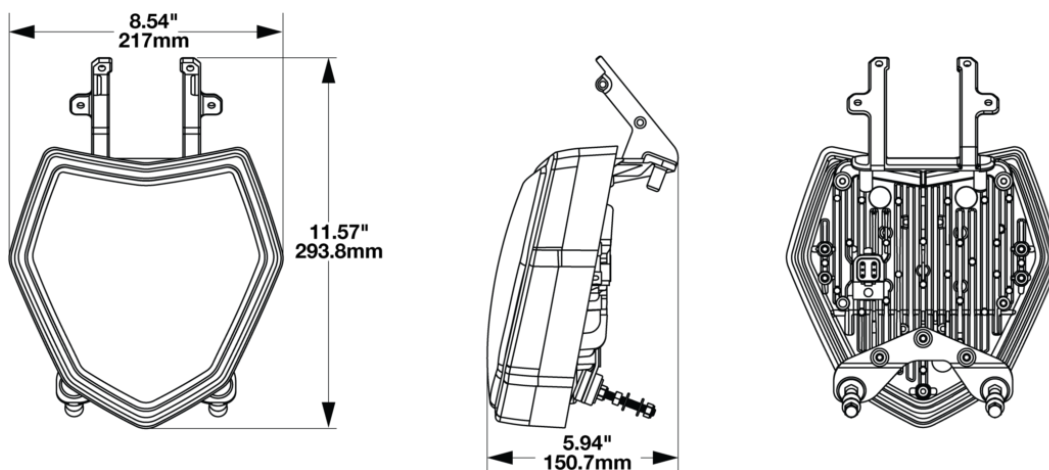
Adaptive & Non-Adaptive LED Headlights - Model 8693

PRODUCT INFORMATION

Description	12V DOT LED High & Low Beam Non-Adaptive Headlight with Front Position & Ducati Monster Kit
Height	293.81 mm / 11.57 in
Width	216.99 mm / 8.54 in
Depth	150.75 mm / 5.94 in
Shape	Stylized
Outer Lens Material	Polycarbonate
Outer Lens Color	Clear
Housing Color	Black
Bezel Color	Black
Mounting Hardware Description	(x1) M6-1-Custom Mounting Kit for Ducati
Minimum Operating Temperature	-40 °C / -40 °F
Maximum Operating Temperature	85 °C / 185 °F
Connector or Wiring	Harness P/N: 3278350 (SUMITOMO 6187-4441 4-PIN TO DEUTSCH)
Mating Connector	Deutsch DT06-6S



PRODUCT DIMENSIONS



Print date: 2025-03-20

© 2025 J.W. Speaker Corporation • Germantown, WI U.S.A.
www.jwspeaker.com • speaker@jwspeaker.com • 262.251.6660

J.W. SPEAKER
Engineered. Lighting. Solutions.

Adaptive & Non-Adaptive LED Headlights - Model 8693

ELECTRICAL SPECIFICATIONS

Input Voltage	13.5V DC
Operating Voltage	9-16V DC
Yellow Wire	Low Beam
White Wire	High Beam
Red Wire	Front Position
Black Wire	Ground
Current Draw	2.5A @ 13.5V DC (Low Beam) 2.6A @ 13.5V DC (High Beam) 0.4A @ 13.5V DC (Front Position)

REGULATORY STANDARDS COMPLIANCE



Buy America Standards
FMVSS 108 s10.1 (Table XX)

Eco Friendly

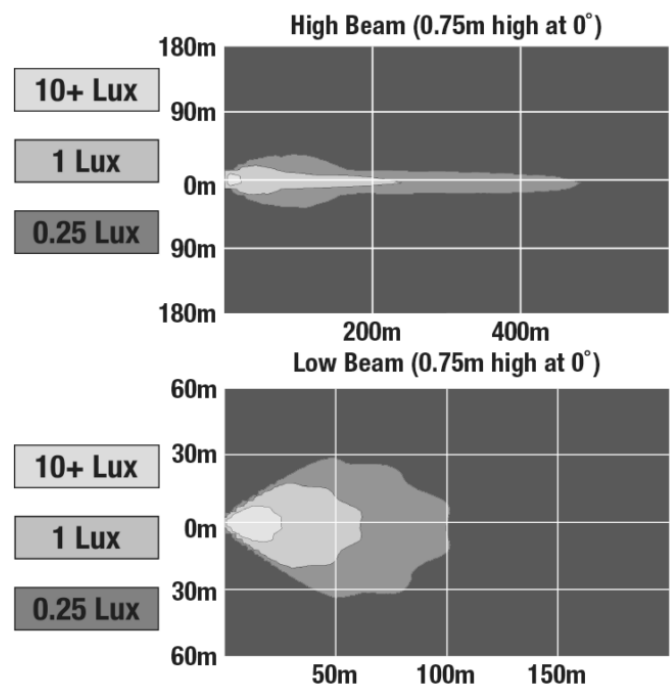
Print date: 2025-03-20

© 2025 J.W. Speaker Corporation • Germantown, WI U.S.A.
www.jwspeaker.com • speaker@jwspeaker.com • 262.251.6660

Adaptive & Non-Adaptive LED Headlights - Model 8693

PHOTOMETRIC SPECIFICATIONS

Raw Lumen Output	3,360 (High Beam); 2,240 (Low Beam)
Effective Lumen Output	1,260 (High Beam); 870 (Low Beam)
Candela Output	51,000 (High Beam); 10,000 (Low Beam)
Nominal LED Color Temperature	5000 K
Beam Pattern(s)	Forward Lighting - High Beam (DOT) Forward Lighting - Low Beam (DOT) Signalization - Front Position



APPLICATIONS



INSTALLATION & APPLICATION INFORMATION

The Adaptive (0561903) and Non-Adaptive (0561913) Ducati Monster Fitment Kits are designed for the Ducati Monster 796 (2011-2014) and Ducati Monster 696 (2009-2014).

Print date: 2025-03-20

© 2025 J.W. Speaker Corporation • Germantown, WI U.S.A.
www.jwspeaker.com • speaker@jwspeaker.com • 262.251.6660

Adaptive & Non-Adaptive LED Headlights - Model 8693

ADDITIONAL INFORMATION

Included in Box:

- 1x Non-Adaptive Model 8693 Headlight
- 1x Model 8693 Ducati Monster Wire Assembly
- 1x Upper Bracket
- 1x Lower Bracket
- 2x Grommets
- 2x Hex Nuts
- 2x 65mm Screws
- 4x Bushings
- 4x Lock Nuts
- 5x 12mm Screws
- 9x Flat Washers

PRODUCT WARNINGS

For California residents:

⚠ **WARNING:** Cancer and reproductive harm - www.P65Warnings.ca.gov.

⚠ **AVERTISSEMENT:** Cancer et effet nocif sur la reproduction - www.P65Warnings.ca.gov.

Print date: 2025-03-20

© 2025 J.W. Speaker Corporation • Germantown, WI U.S.A.
www.jwspeaker.com • speaker@jwspeaker.com • 262.251.6660

J.W. SPEAKER 
Engineered. Lighting. Solutions.

Adaptive & Non-Adaptive LED Headlights - Model 8693

RELATED PRODUCTS



Part Number
0561251

12V DOT/ECE LED
High & Low Beam
Adaptive Headlight
with Black Inner Bezel



Part Number
0561843

12V DOT LED High &
Low Beam Adaptive
Headlight with Front
Position and Honda
Grom Fitment Kit



Part Number
0561853

12V DOT LED High &
Low Beam Non-
Adaptive Headlight
with Front Position and
Honda Grom Kit



Part Number
0561903

12V DOT LED High &
Low Beam Adaptive
Headlight with Front
Position and Ducati
Monster Kit



Part Number
0561923

12V DOT LED High &
Low Beam Adaptive
Headlight with Front
Position and Yamaha
FZ-07 Kit



Part Number
0561933

12V DOT LED High &
Low Beam Non-
Adaptive Headlight
with Front Position and
Yamaha FZ-07 Kit