

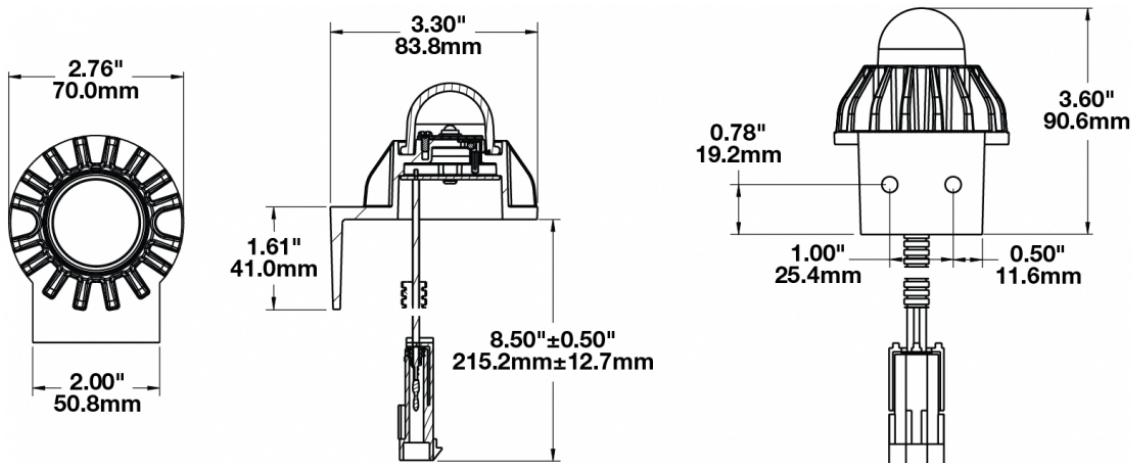
# LED Interior Light - Model 408

## PRODUCT INFORMATION

<b>Description</b>	12-24V LED Engine Compartment Light with Mounting Bracket
<b>Height</b>	83.82 mm / 3.3 in
<b>Width</b>	70.10 mm / 2.76 in
<b>Depth</b>	91.44 mm / 3.6 in
<b>Shape</b>	Round
<b>Outer Lens Material</b>	Glass
<b>Outer Lens Color</b>	Clear
<b>Housing Material</b>	Die-Cast Aluminum
<b>Housing Color</b>	Black
<b>Mounting Type</b>	Universal Mount
<b>Minimum Operating Temperature</b>	-40 °C / -40 °F
<b>Maximum Operating Temperature</b>	65 °C / 149 °F
<b>Connector or Wiring</b>	Aptiv Weather Pack (12010973)
<b>Mating Connector</b>	Aptiv Weather Pack (12015792)
<b>Product Weight</b>	0.39 lbs / 0.18 kgs
<b>Shipping Weight</b>	0.50 lbs / 0.23 kgs



## PRODUCT DIMENSIONS



Print date: 2019-02-17

© 2019 J.W. Speaker Corporation • Germantown, WI U.S.A.  
 www.jwspeaker.com • speaker@jwspeaker.com • 262.251.6660

**J.W. SPEAKER**  
 Engineered. Lighting. Solutions.

# LED Interior Light - Model 408

## ELECTRICAL SPECIFICATIONS

<b>Input Voltage</b>	12-24V DC
<b>White Wire</b>	Positive
<b>Black Wire</b>	Negative
<b>Current Draw</b>	0.4A @ 12V DC 0.21A @ 24V DC

## REGULATORY STANDARDS COMPLIANCE



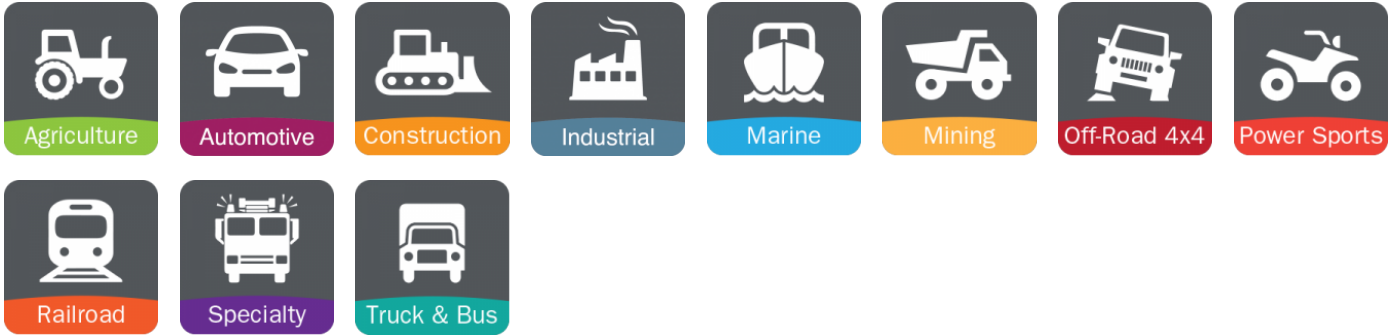
Buy America Standards  
IEC IP67

Eco Friendly  
SAE J575

## PHOTOMETRIC SPECIFICATIONS

<b>Nominal LED Color Temperature</b>	5000 K
<b>Beam Pattern(s)</b>	Interior - Compartment Light

## APPLICATIONS



Print date: 2019-02-17

© 2019 J.W. Speaker Corporation • Germantown, WI U.S.A.  
www.jwspeaker.com • speaker@jwspeaker.com • 262.251.6660



# LED Interior Light - Model 408

## RELATED PRODUCTS

---



**Part Number**  
**0442541**  
12-24V LED Engine  
Compartment Light  
without Mounting  
Bracket



**Part Number**  
**0443561**  
75V LED Engine  
Compartment Light  
with Mounting Bracket