

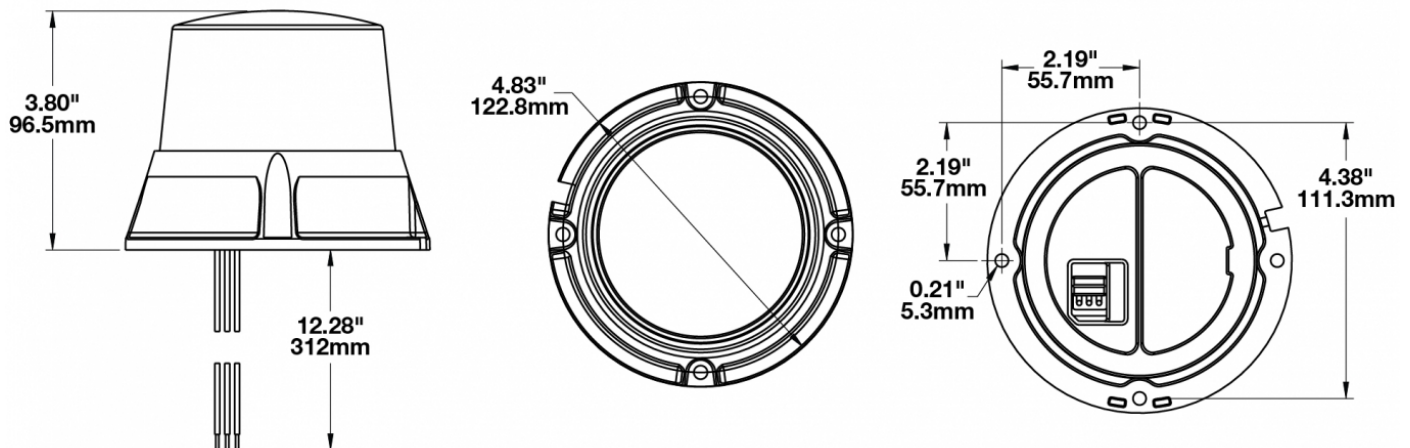
# LED Strobe Lights - Model 407

## PRODUCT INFORMATION

<b>Description</b>	12-80V LED Amber Class I Strobe Light with Magnet Mount
<b>Height</b>	96.52 mm / 3.8 in
<b>Width</b>	121.92 mm / 4.8 in
<b>Depth</b>	121.92 mm / 4.8 in
<b>Shape</b>	Round
<b>Outer Lens Material</b>	Polycarbonate
<b>Outer Lens Color</b>	Amber
<b>Housing Material</b>	Die-Cast Aluminum
<b>Housing Color</b>	Black
<b>Mounting Hardware Description</b>	(x4)
<b>Minimum Operating Temperature</b>	-40 °C / -40 °F
<b>Maximum Operating Temperature</b>	60 °C / 140 °F
<b>Connector or Wiring</b>	12 FT power cord w/ Cigarette Plug #211
<b>Product Weight</b>	1.10 lbs / 0.5 kgs



## PRODUCT DIMENSIONS



Print date: 2018-02-19

© 2018 J.W. Speaker Corporation • Germantown, WI U.S.A.  
[www.jwspeaker.com](http://www.jwspeaker.com) • [speaker@jwspeaker.com](mailto:speaker@jwspeaker.com) • 262.251.6660

**J.W. SPEAKER**   
 Engineered. Lighting. Solutions.

# LED Strobe Lights - Model 407

## ELECTRICAL SPECIFICATIONS

<b>Input Voltage</b>	12-80V DC
<b>Operating Voltage</b>	9-110V DC
<b>Yellow Wire</b>	Mode
<b>Current Draw</b>	0.915A @ 12V DC 0.500A @ 24V DC 0.340A @ 36V DC 0.265A @ 48V DC 0.190A @ 72V DC

## REGULATORY STANDARDS COMPLIANCE



Buy America Standards	ECE Reg 10
ECE Reg 65	Eco Friendly
IEC IP67	IEC IP69K
SAE J845	UL Recognized

## PHOTOMETRIC SPECIFICATIONS

<b>Candela Output</b>	560
<b>Beam Pattern(s)</b>	Warning - Rotating Warning Warning - Strobe
<b>Flash Rate 1</b>	Beacon
<b>Flash Rate 2</b>	Quadruple 480
<b>Flash Rate 3</b>	Fast 540
<b>Flash Rate 4</b>	Double 240
<b>Flash Rate 5</b>	Burst 300
<b>Flash Rate 6</b>	Steady Flash 60

Print date: 2018-02-19

© 2018 J.W. Speaker Corporation • Germantown, WI U.S.A.  
www.jwspeaker.com • speaker@jwspeaker.com • 262.251.6660

# LED Strobe Lights - Model 407

## APPLICATIONS



## ACCESSORIES



**Part Number**  
**0728301**

Pipe Mount with Fold-Down Bracket for DIN Pole Mount



**Part Number**  
**0728311**

Pipe Mount with L Bracket for DIN Pole Mount



**Part Number**  
**0728321**

Pipe Mount with Straight Bracket for DIN Pole Mount



**Part Number**  
**0728331**

Pipe Mount with Threaded Pipe Mount for DIN Pole Mount



**Part Number**  
**0728341**

Pipe Mount with Weld-on Bracket for DIN Pole Mount



**Part Number**  
**8200213**

DIN Pole Mount for 406 & 407 LED Strobe Lights

# LED Strobe Lights - Model 407

## RELATED PRODUCTS

---



**Part Number**  
**0646491**  
12-80V LED Amber  
Class I Strobe Light



**Part Number**  
**0646551**  
12-80V LED Blue Class  
I Strobe Light



**Part Number**  
**0646561**  
12-80V LED Red Class I  
Strobe Light



**Part Number**  
**0646571**  
12-80V LED Green  
Class I Strobe Light



**Part Number**  
**0646741**  
12-80V LED Amber  
Class I Strobe Light  
with DIN Pole Mount