

LED Strobe Lights - Model 406

PRODUCT INFORMATION

Description	12-80V LED Amber Class II Strobe Light with DIN Pole Mount
Height	165.00 mm / 6.5 in
Width	122.75 mm / 4.83 in
Depth	122.75 mm / 4.83 in
Shape	Round
Outer Lens Material	Polycarbonate
Outer Lens Color	Amber
Housing Material	Polycarbonate / Nylon
Housing Color	Black
Mounting Hardware Description	(x4) #8-16 x 3/4 Screw
Minimum Operating Temperature	-40 °C / -40 °F
Maximum Operating Temperature	60 °C / 140 °F
Connector or Wiring	12" Leads
Shipping Weight	1.32 lbs / 0.6 kgs
Additional Information	This is a kit that includes a Model 407 strobe light, DIN pole mount and hardware. DIN mount designed with (4) screw mounts to secure directly to strobe light housing.



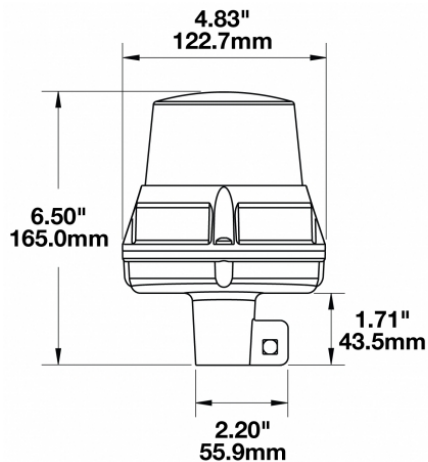
Print date: 2018-04-20

© 2018 J.W. Speaker Corporation • Germantown, WI U.S.A.
 www.jwspeaker.com • speaker@jwspeaker.com • 262.251.6660

J.W. SPEAKER®
 Engineered. Lighting. Solutions.

LED Strobe Lights - Model 406

PRODUCT DIMENSIONS



ELECTRICAL SPECIFICATIONS

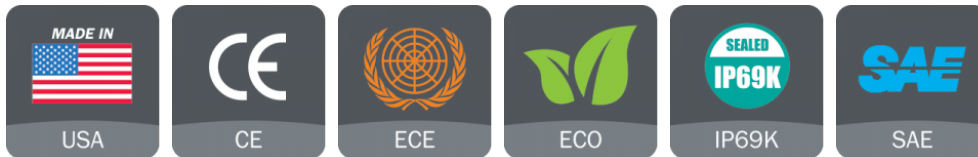
Input Voltage	12-80V DC
Operating Voltage	9-110V DC
Red Wire	Positive
Black Wire	Negative
Yellow Wire	Mode
Current Draw	0.345A @ 12V DC 0.225A @ 24V DC 0.163A @ 36V DC 0.131A @ 48V DC 0.100A @ 72V DC

Print date: 2018-04-20

© 2018 J.W. Speaker Corporation • Germantown, WI U.S.A.
www.jwspeaker.com • speaker@jwspeaker.com • 262.251.6660

LED Strobe Lights - Model 406

REGULATORY STANDARDS COMPLIANCE

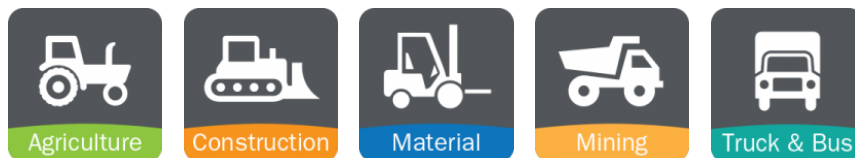


Buy America Standards	CE Recognized
ECE Reg 10	Eco Friendly
IEC IP67	IEC IP69K
SAE J845	UL Recognized

PHOTOMETRIC SPECIFICATIONS

Candela Output	280
Beam Pattern(s)	Warning - Rotating Warning - Strobe
Flash Rate 1	Beacon
Flash Rate 2	Quadruple 480
Flash Rate 3	Fast 540
Flash Rate 4	Double 240
Flash Rate 5	Burst 300
Flash Rate 6	Steady Flash 60

APPLICATIONS



Print date: 2018-04-20

© 2018 J.W. Speaker Corporation • Germantown, WI U.S.A.
www.jwspeaker.com • speaker@jwspeaker.com • 262.251.6660

J.W. SPEAKER
Engineered. Lighting. Solutions.

LED Strobe Lights - Model 406

ACCESSORIES



Part Number
0728301

Pipe Mount with Fold-Down Bracket for DIN Pole Mount



Part Number
0728311

Pipe Mount with L Bracket for DIN Pole Mount



Part Number
0728321

Pipe Mount with Straight Bracket for DIN Pole Mount



Part Number
0728331

Pipe Mount with Threaded Pipe Mount for DIN Pole Mount



Part Number
0728341

Pipe Mount with Weld-on Bracket for DIN Pole Mount



Part Number
8200213

DIN Pole Mount for 406 & 407 LED Strobe Lights

RELATED PRODUCTS



Part Number
0646501

12-80V LED Amber Class II Strobe Light



Part Number
0646531

12-80V LED Blue Class II Strobe Light



Part Number
0646541

12-80V LED Red Class II Strobe Light



Part Number
0646881

12-80V LED Amber Class II Strobe Light with Magnet Mount & Adapter

Print date: 2018-04-20

© 2018 J.W. Speaker Corporation • Germantown, WI U.S.A.
www.jwspeaker.com • speaker@jwspeaker.com • 262.251.6660