

### PRE-INSTALLATION INFORMATION

<b>Estimated Time</b>	60 minutes
<b>Tools Needed</b>	#1 Screwdriver 9/64 Hex Bit
<b>In the Box</b>	(x2) Mounting Brackets (x8) 3.5" Socket Head Screws (x2) Black Tubing Pieces (x8) #4 Self Tapping Screws

### Pre-Installation Guidelines

**Disclaimer:** This mounting bracket is intended to be used with J.W. Speaker Model 279 tail light.

1. Read all safety notes and mounting guidelines before installing the product. Verify that all parts listed under "In the Box" are present and complete.
2. Inspect the product for damage. **DO NOT** install the product if there is any damage. Contact the authorized retailer where you purchased it to initiate a warranty claim if there is damage.
3. Verify that all power supply and/or charging systems comply to the specified voltage limits for the light.

### PRODUCT WARRANTY:

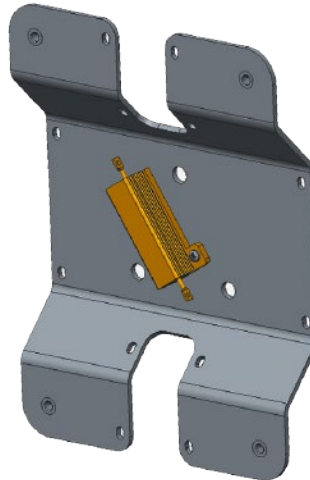
**If you have issues with a J.W. Speaker product, please contact the authorized retailer where you purchased it.**

**INSTRUCTIONS BEGIN ON THE NEXT PAGE**

**INSTALLATION:**

1. Turn off the vehicle and disconnect the battery.
2. Disconnect wires of the existing tail light. Uninstall existing tail light and mounting bracket from vehicle (if applicable).
3. Determine if you want to use the provided resistor with the Model 279 tail light.
  - a. If you **WILL** use the resistor and **WILL** attach it on the mounting bracket, continue to #4.
  - b. If you **WILL** use the resistor, but **NOT** attach it to the mounting bracket, you **MUST** attach the resistor to a metal surface to allow the heat to dissipate. Failure to follow these directions and properly attach the resistor to a metal surface may result in damage to the vehicle and void the product warranty. Continue to #5.
  - c. If you will **NOT** use the resistor, you can skip to #5.

4. Align the holes on the resistor with the holes on the mounting bracket. Take 2 of the provided self-tapping screws and insert through the resistor. Use a #1 screw driver to firmly attach the resistor to the mounting bracket **(see picture to the right as an example for attaching the resistor)**.



5. The mounting pattern on the J.W. Speaker mounting bracket was designed to easily retrofit most standard tail lights. Hold the mounting bracket up to where you want to mount the tail lights on the vehicle. **If the mounting pattern is not identical**, use the mounting bracket as a template to mark and drill holes in the vehicle. **NOTE: Hardware for mounting the light to the vehicle is NOT provided.**

6. Attach the mounting bracket to the vehicle. **NOTE: If using resistor and not attaching it on the mounting bracket, attach it to the vehicle on a metal surface at this time.**
7. Align the four corner holes of the Model 279 tail light to the mounting bracket. Insert the provided 3.5" screws from the front of the light to affix the tail light to the mounting bracket using the 9/64 Hex Bit.
8. Carefully splice the wires using the "Wire Functions" and "Voltage" information on page 1. Connections should be adequately protected against moisture (shrink tubing is recommended). **If you are not comfortable with splicing, seek professional assistance.**
9. For convenience and protection of the wires, two black tubing pieces are provided to wrap around the wires to protect them from being cut on the edges of the metal bracket. You can also use the cutout slots in the mounting bracket to secure the wire with nylon tie wraps.
10. Repeat steps 3-9 to install the other tail light.
11. Periodically check the light to make sure that it is working properly and is securely attached.