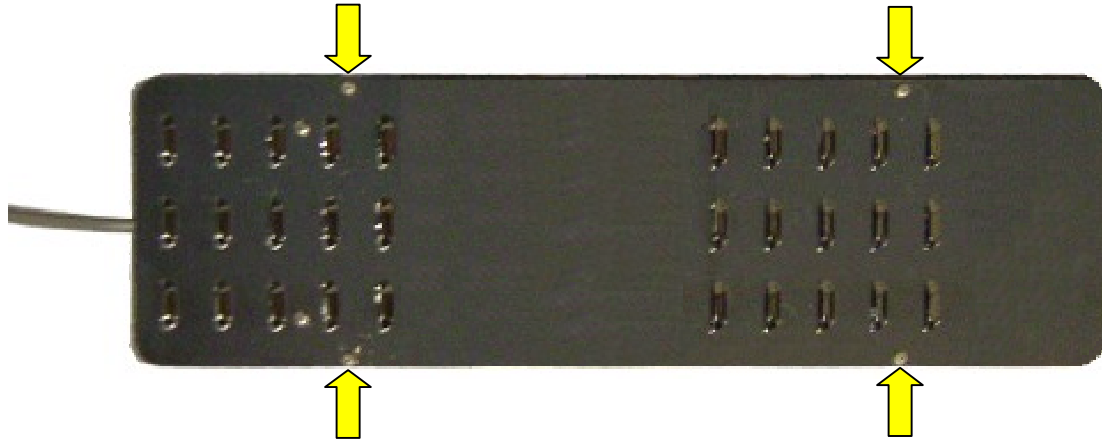


LAMP FAN EMC MODIFICATIONS



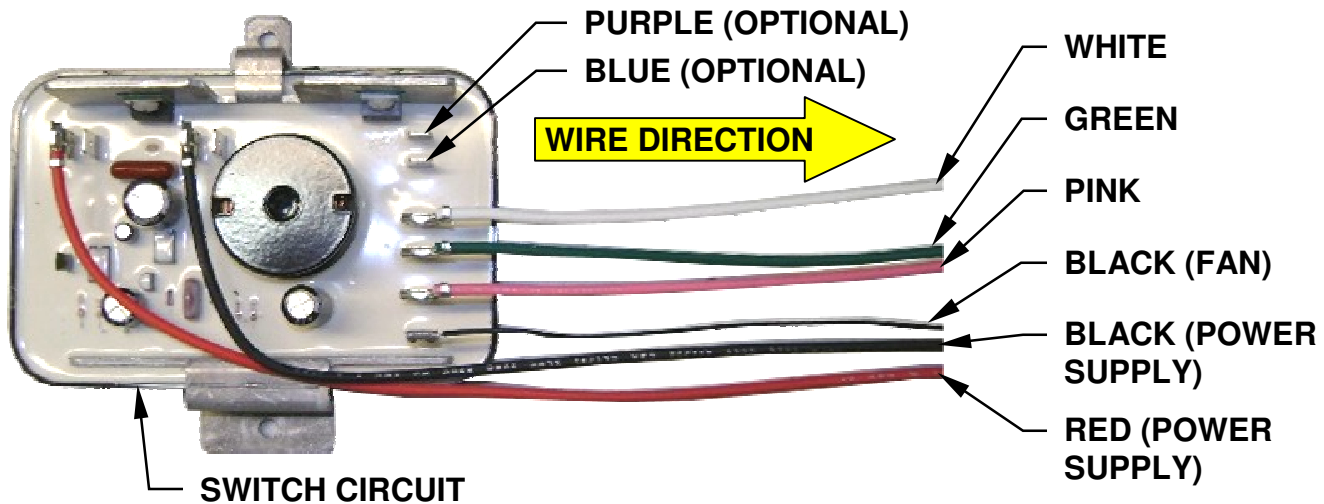
Disconnect Lamp fan wire harness from vehicle.

Remove back cover from lamp fan assembly (4 screws).



Disconnect external wire harness (1 ea.) from lamp fan assembly switch circuit and reconnect new wire harness (1 ea. supplied).

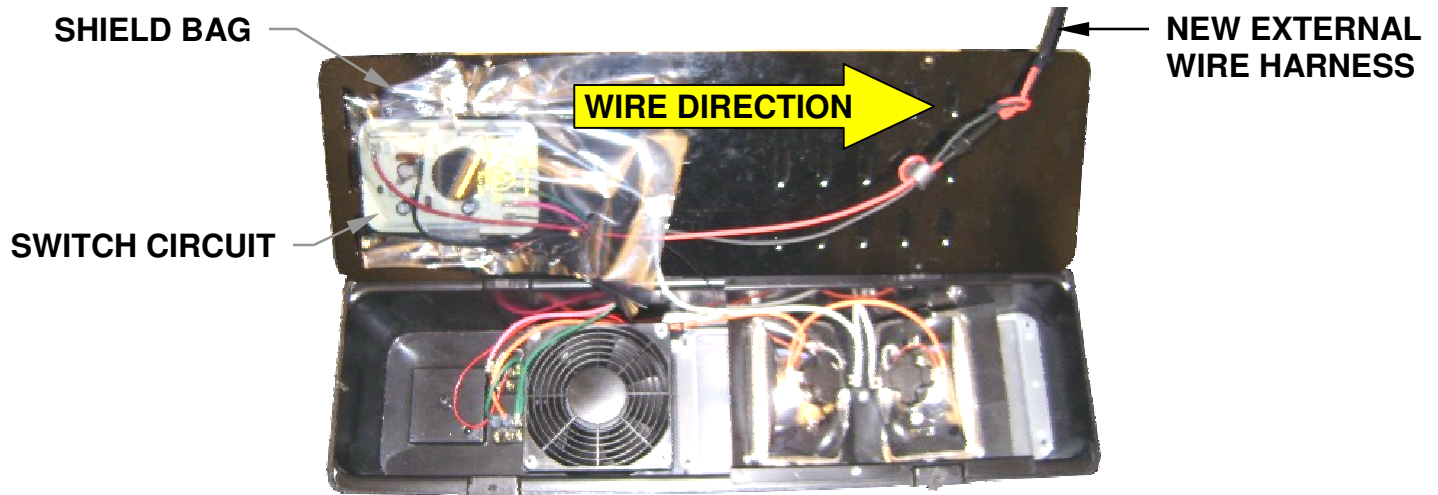
Note: All wires must be routed to the inside (center) of the of the lamp fan assembly.
Disconnect and reconnect one wire at a time to verify wire color to wire connection placement.



Disassemble switch circuit from back cover (2 screws, 2 lock washers and 2 nuts).

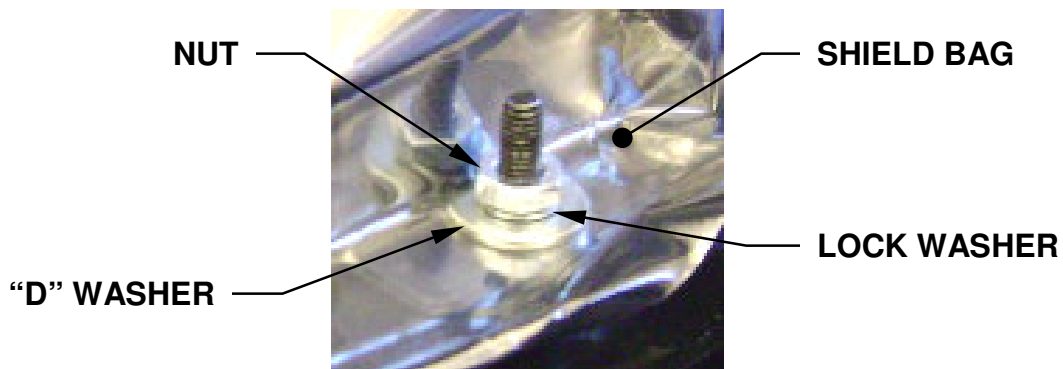
Insert switching circuit into static shielding bag (1 ea. supplied).

Reassemble bagged switch circuit onto back cover.

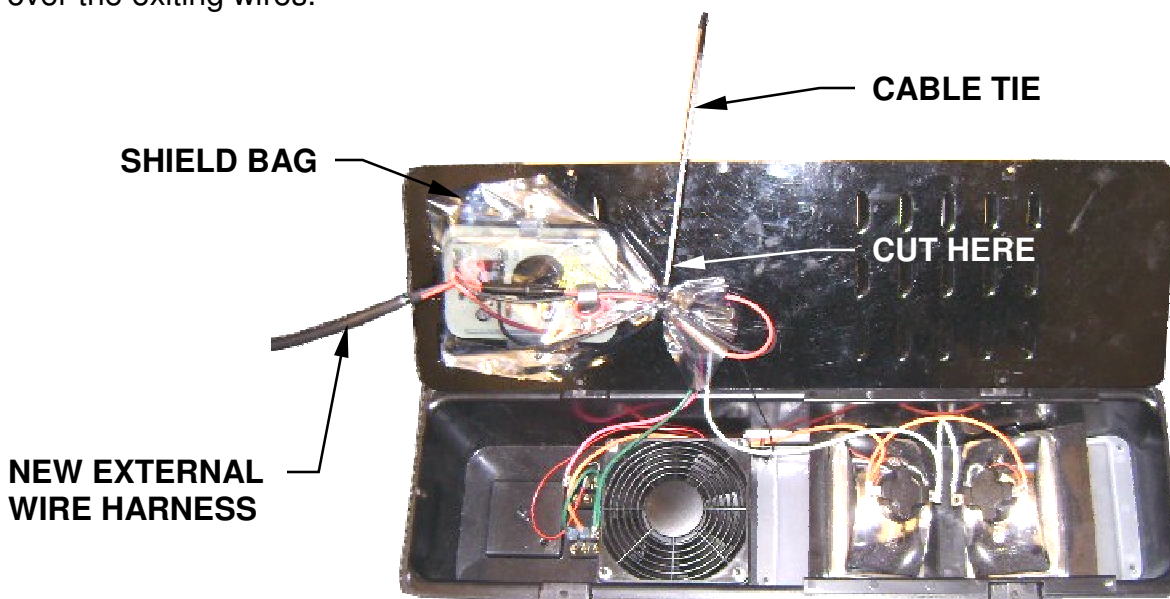


Note: Must route screws through holes in static shielding bag and switch circuit. Do not tear or puncture static shielding bag.

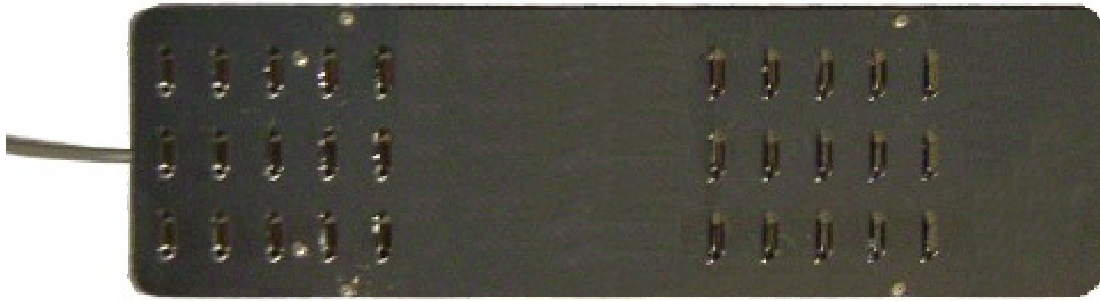
Use "D" washers (2 ea. supplied) between shielding bag and lock washers.



Fold wire harness over bag and cable tie (1 ea. supplied) open end of static shielding bag securely over the exiting wires.

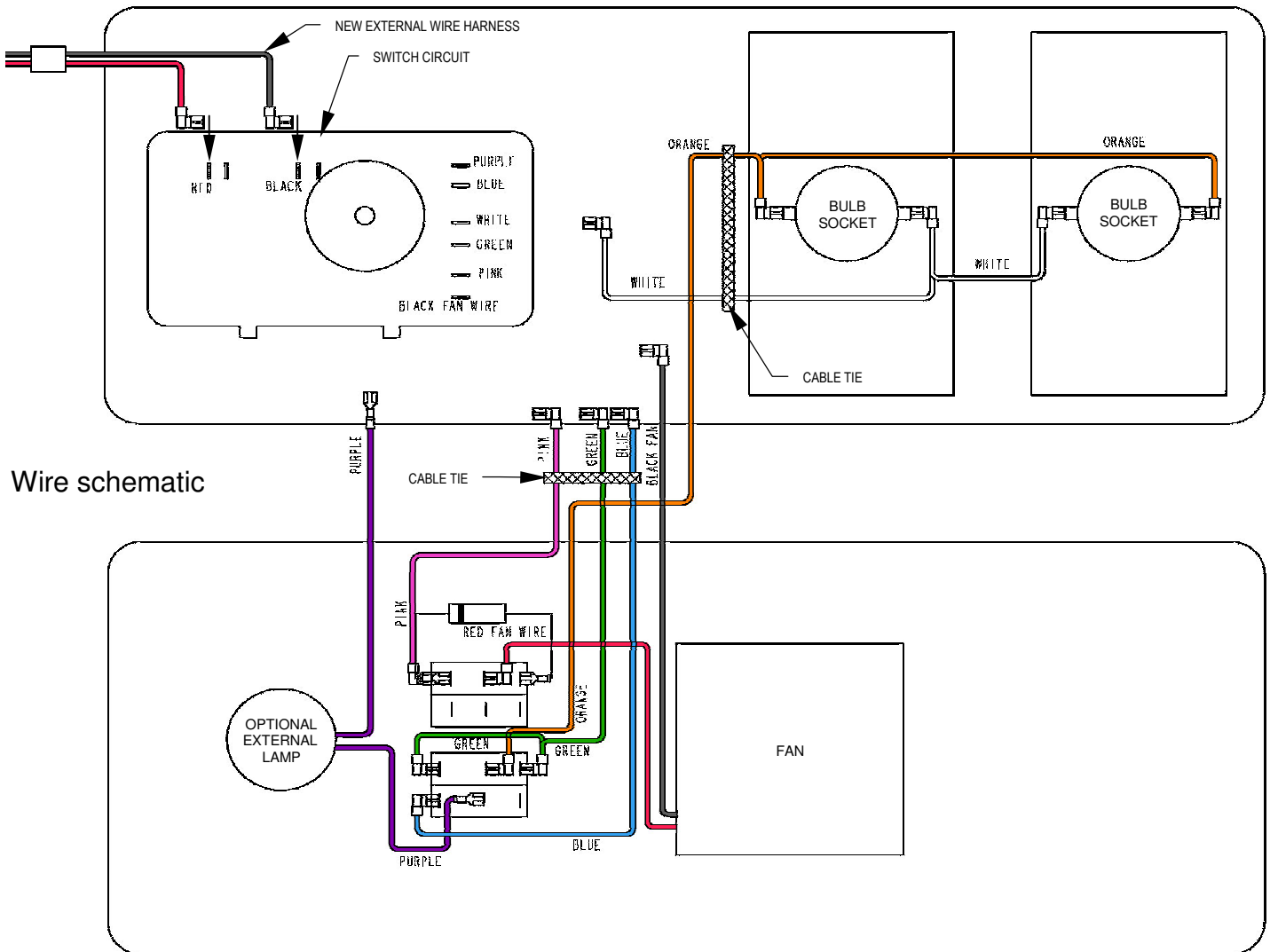


Cut off excess cable tie (do not puncture bag) and reassemble back cover onto lamp fan assembly.



Note: Verify static shielding bag is not pinched between back cover and lamp fan assembly.

Reconnect lamp fan assembly wire harness to vehicle.



Wire schematic

Parts list:	Wire harness	(1 ea.)	3251800 or 3256260
	"D" washer	(2 ea.)	5640650
	Cable tie	(1 ea.)	6342050
	Instruction	(1 ea.)	6542430
	Shield bag	(1 ea.)	7042000