

MODEL 95

LED FOG & HIGH BEAM LIGHTS

RETROFIT KITS FOR HEAVY-DUTY TRUCKS



Plug & play LED upgrade kits

Model 95 fog and high beam lights are drop-in replacements for halogen lights used in heavy-duty trucks like Peterbilt 579/587 and Kenworth T660 models. These lights leverage J.W. Speaker's solid optics technology to deliver precise engineered beam patterns that are not only street-legal, they're also more intense than stock lights to augment the headlight beam patterns.

Say hello to brighter roads ahead with the Model 95 LED fog and high beam light kits from J.W. Speaker.



Pictured Left: High Beam Light. Right: Fog Light.

The Model 95 LED fog and high beam lights are available now at your authorized J.W. Speaker dealer. For more information & technical specifications, go to www.jwspeaker.com

J.W. SPEAKER
Engineered. Lighting. Solutions.

MODEL 95

STREET LEGAL UPGRADES

RETROFIT KITS FOR HEAVY-DUTY TRUCKS

Model 95 lights from J.W. Speaker are available in two different beam patterns: fog and high beam. Each are designed with the same footprint as current fog or high beam lights on Peterbilt and Kenworth trucks. The Model 95s also use the same electrical Packard connector as on these trucks for easy plug & play installation, with minimal downtime.

Instead of fragile halogen bulbs, the Model 95s utilize LEDs and a rugged aluminum housing to resist shock and vibration and extend the life of your lights. Additionally, Model 95s draw 75-80% less power than the stock halogen lights!

Model 95 LED fog and high beam lights are legal for on-road use, sealed to IP69K, and made in the U.S.A.



Model 95 LED Fog & High Beam Lights

12-24V DC system operates in 9-32V DC.

Part No.	Description
0553713	DOT/ECE LED High Beam - 2 Lights
0553721	DOT/ECE LED High Beam - 1 Light
0553733	SAE/ECE RHT & LHT LED Harmonized Fog Light - 2 Lights
0553741	SAE/ECE RHT & LHT LED Harmonized Fog Light - 1 Light

LHT = Left Hand Traffic; RHT = Right Hand Traffic

▲ **WARNING:** Cancer and Reproductive Harm - www.P65Warnings.ca.gov

▲ **AVERTISSEMENT:** Cancer et effet nocif sur la reproduction - www.P65Warnings.ca.gov

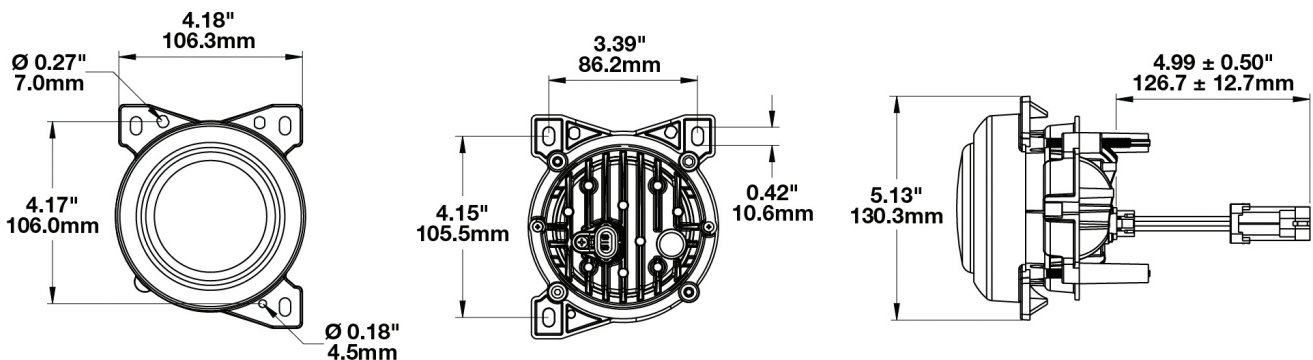
Learn More About Compliance and Use

The product specification sheets for all versions of the Model 95 include more details about SAE, DOT, and ECE compliance, as well as tips for using the high beam.

Retrofit Information

The Model 95 fog & high beam lights for semi trucks retrofit:

- Peterbilt 579 2013-2015
- Peterbilt 587 2011-2015
- Kenworth T660 2008-2015



J.W. Speaker Global Headquarters

N120 W19434 Freistadt Road
PO Box 1011, Germantown, Wisconsin 53022 USA

Phone: 262 251-6660 Fax: 262 251-2918
Toll Free: 800 558-7288

5/9/2017

J.W. SPEAKER
Engineered. Lighting. Solutions.