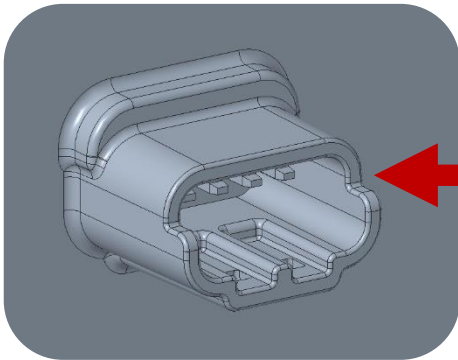


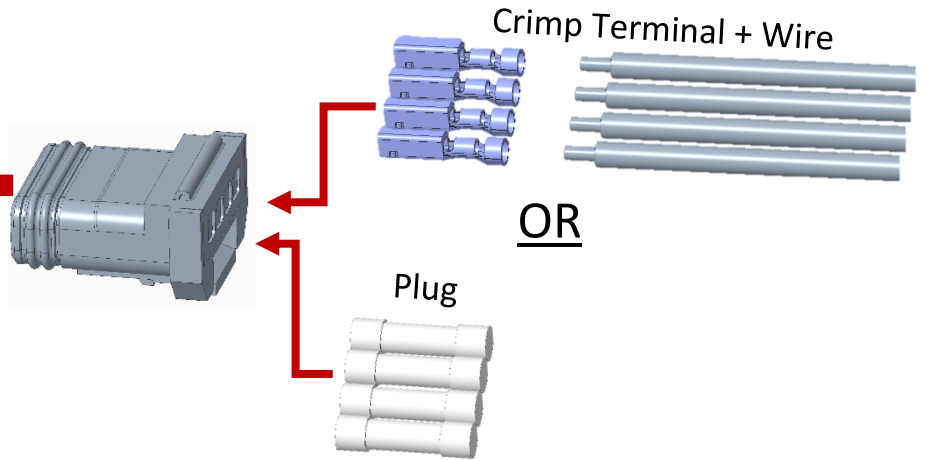
JAE MX19/MX19A Series Connector Information

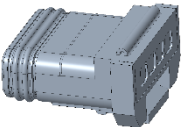


Used in J.W. Speaker models: 905, 260

The JAE MX19/MX19A series is a compact weatherproof connection system specifically designed for the automotive industry. Their small size allows J.W. Speaker to have more space for other electronic components and design features. Overall reducing the size of our lights, while increasing performance.



Integrated connector in JWS lamps
(above mates with JAE MX19004S51)



| <u>Image</u> | <u>JAE Part #</u> | <u>Description</u> |
|---|-------------------|-------------------------|
|  | MX19004S51 | 4 Pin Connector Housing |
|  | MX19S10K451 | Crimp Terminal - Socket |
|  | MX19000XD1 | Dummy Plug |

Current JWS JAE Harnesses

12"

| MX19004S51 - 4 Pin | | | |
|--------------------|---------|---------|---------|
| JWS PN: | 3271871 | 3271881 | 3271901 |
| 1 | Red | Red | Red |
| 2 | Plug | Plug | White |
| 3 | Plug | White | Yellow |
| 4 | Black | Black | Black |

Wire: 20-gauge TXL

Technical Information

| | |
|--------------------------|-------------------------------|
| Wire Gauge Size: | #20 (AVSS), #22 to #20 (CAVS) |
| Insulation Strip Length: | 2.0 – 2.5mm |
| Rated Current: | 5A |
| IP Rating: | IP67, IP69k |
| Hand Crimping Tool: | CT150-4C-MX19 |
| Extraction Tool: | ET-MX19 |

Sources

- [Mouser](#)
- [Allied Electronics](#)
- [Digi-Key](#)
- [Heilind](#)

For more information visit JAE's Website at www.jae.com