

Introduction

J.W. Speaker LED products offer many advantages over conventional bulb lamps. Significantly reduced power consumption, ultra long life and high tolerance to shock and vibration make LED lamps the ideal choice for the harsh automotive environment.

Light Source	LED
Effective Lumens*	~1500 Lumens (white)
Color Temperature	~5600K (white)
Operating Voltage	9-33V DC
Power Consumption	High 25W Low 5W
Housing Material	'Non-metal' thermally conductive housing
Lens Material	Heavy duty Grilamid®
Cable	Pre-wired with 2.5m of sheathed multi-core cable
Degree of Protection	IP6K7 IP6K9K (Completely sealed)
Weight	670g (including cable)
Manufacturing Location	New Zealand
Electrical Protection	This lamp is protected against overvoltage, voltage spikes, reverse polarity connection and negative voltage spikes.

* Effective Lumens refer to the real performance of the lamp, not the much higher theoretical performance of the LEDs, as is often used.

Electromagnetic Compatibility (EMC)

This LED lamp is an electronic device. The electrical circuits contain components that suppress possible interference, both emission as well as susceptibility, to the limits prescribed in international regulations.



Wiring and High / Low Mode Activation

To switch the lamp to high intensity mode, connect both Red (+ve) and White (-ve) cables to power supply.

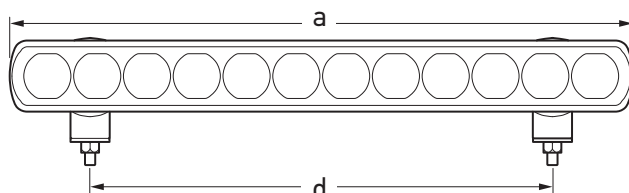
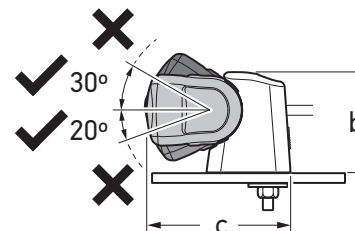
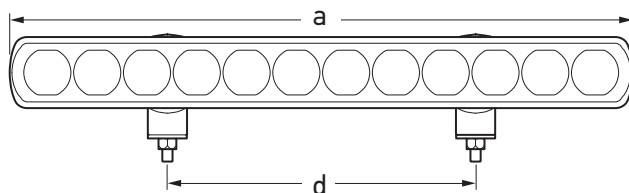
To dim the lamp, connect the Brown (+ve Low) cables to positive and the White (-ve) cable to negative. If the lamp is required to switch between low and high intensity an "off the shelf" ON-OFF-ON type switch may be used. Use the switch for High intensity (First ON position) and Low intensity (Second ON position).

Cable color	Connect to	Power Consumption
Black	Negative (-)	25W
Red	Positive (+)	5W

LED modules are polarity conscious. Reverse polarity will not damage this product but will inhibit its function.

J.W. Speaker recommends wire connections be soldered, and heat shrink tubing applied to seal the joint.

Each lamp must be protected by a fuse rated at 5 amperes maximum.



Dimensions:

- a = 350mm / 13.78"
- b = 56mm / 2.20"
- c = 81mm / 3.19"
- d = min. 200mm / 7.87"
max. 280mm / 11.02"

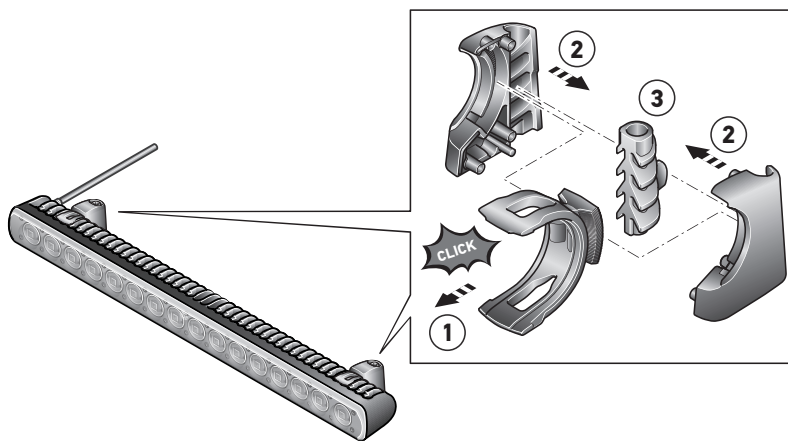


PRODUCT WARRANTY:

If you have issues with a J.W. Speaker product, please contact the authorized retailer where you purchased it.

PRE-INSTALLATION GUIDELINES:

To properly install this light you should have a good understanding of automotive electrical procedures and systems, and proficiency in the installation of auxiliary lights. If you do not, please seek professional assistance.



Tip:

When assembling bracket (2) push grey barbed insert (3) up slightly while gently pushing the outer bracket pieces together.

This will enable barbed insert to seat correctly into outer brackets and lock down when tightened.

Note:

Supplied M6 Hex Socket Capscrews are suitable for mounting onto <18mm thick structures. If longer fastenings are required ensure 316 stainless steel Hex Socket Capscrews are used.

Brackets are designed to be mounted onto flat surfaces.

