

# INSTALLATION INSTRUCTIONS

## ⚠ WARNING

To properly install this warning light you should have a good understanding of automotive electrical procedures and systems, and proficiency in the installation of warning lights. **IF YOU DO NOT, PLEASE SEEK PROFESSIONAL ASSISTANCE.**

### BEFORE INSTALLATION:

**Estimated Time:** 60 Minutes

**Tools Needed:** Wrench

**Wire Functions:** Black = Ground  
Red = Power

**In the Box:**

1. 1x Model 792 LED Compact Work Light Pedestal Mount
2. (1x) Mounting Bolt
3. (1x) Mounting Bracket
4. (1x) Lock Washer
5. (1x) Hex Nut
6. (1x) Hex Locknut
7. (1x) Screw Cap
8. (1x) Wire Harness

**Input Voltage:** 12-24V DC  
36-80V DC

**Operating Voltage:** 9-30V DC  
30-95V DC

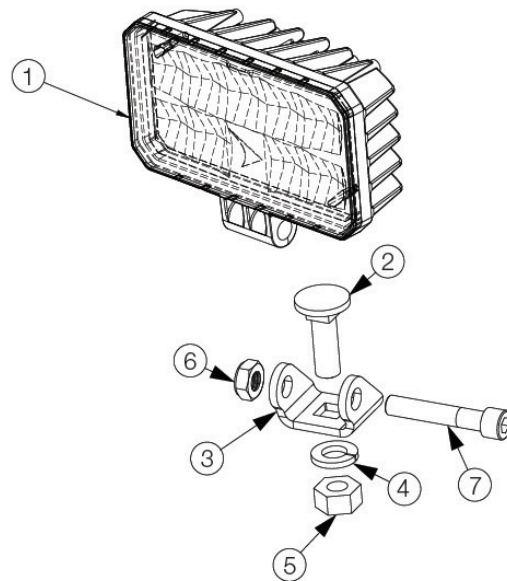
### PRE-INSTALLATION INSTRUCTIONS:

1. Read all safety notes and mounting guidelines before installing the product. Verify that all parts listed under "In the Box" are present and complete.
2. Inspect the product for damage. DO NOT install the product if there is any damage. Contact the authorized retailer where you purchased it to initiate a warranty claim if there is damage.
3. Verify that all power supply and/or charging systems comply to the specified voltage limits for the light.

### NOTES:

In using this guide, you agree J.W. Speaker is not responsible for any damage, misuse, or personal injuries. This document is intended as an educational guide only and does not make guarantees on any finished results.

To properly install this light you should have a good understanding of automotive electrical procedures and systems, and proficiency in the installation of lights. **IF YOU DO NOT, PLEASE SEEK PROFESSIONAL ASSISTANCE.**



⚠ **WARNING:** Cancer and Reproductive Harm - [www.P65Warnings.ca.gov](http://www.P65Warnings.ca.gov)  
⚠ **AVERTISSEMENT:** Cancer et effet nocif sur la reproduction - [www.P65Warnings.ca.gov](http://www.P65Warnings.ca.gov)

### PRODUCT WARRANTY:

If you have issues with a J.W. Speaker product, please contact the authorized retailer where you purchased it.



## INSTALLATION INSTRUCTIONS:

---

**BEFORE BEGINNING:** J.W. Speaker's Model 729 is a Compact Work Light for the Agricultural, Construction, Industrial, Off-Road, Material Handling, and Mining markets.

**IMPORTANT:** Model 792 Compact Work Light is mounted differently based on the mounting type. Make sure to follow pedestal instructions for pedestal mount and follow panel instructions for panel mount.

1. First mount light to the vehicle. Insert the mounting bolt (#2) through the bracket and desired location on vehicle. Add washer (#4) to the bolt, then tighten a hex nut (#5) to the bolt.
2. Take the screw cap (#7) and thread through the mounting bracket on the Model 729 Compact Work Light and tighten with the hex locknut (#6) onto the screw cap.
3. Plug in the provided wire harness (#8) into the back of the light.
4. Test to make sure the light is working.
5. Aim Model 729 Compact Work Light as desired.