

INSTALLATION INSTRUCTIONS

⚠ WARNING

To properly install this warning light you should have a good understanding of automotive electrical procedures and systems, and proficiency in the installation of warning lights. **IF YOU DO NOT, PLEASE SEEK PROFESSIONAL ASSISTANCE.**

BEFORE INSTALLATION:

Estimated Time: 30 Minutes

Tools Needed: Wrench
Screwdriver

Wire Functions: Black = Ground
Blue = Blue
Yellow = Amber
Green = Green
Red = Red

NOTE: Any unused wires need to be capped off individually.

In the Box:

1. (x1) Model 6048 LED 4 Color Auxiliary Light
2. (x1) Mounting Bracket
3. (x1) 5/16" x .875" Hex Mounting Bolt
4. (x1) 5/16" Lock Washer
5. (x1) 5/16" Hex Nut
6. (x2) 1/4" Hex Nut
7. (x2) 1/4" x .75" Bolt
8. (x2) #6 Screw
9. (x1) 6 PIN Wire Connector

Input Voltage: 12-24V DC

Operating Voltage: 9-32V DC

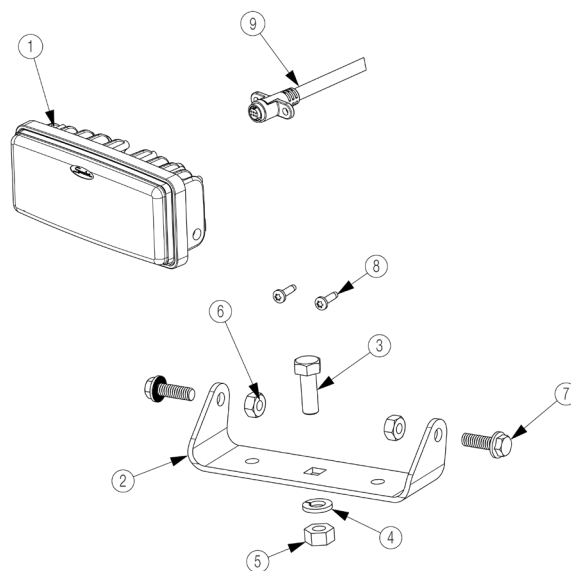
PRE-INSTALLATION INSTRUCTIONS:

1. Read all safety notes and mounting guidelines before installing the product. Verify that all parts listed under "In the Box" are present and complete.
2. Inspect the product for damage. DO NOT install the product if there is any damage. Contact the authorized retailer where you purchased it to initiate a warranty claim if there is damage.
3. Verify that all power supply and/or charging systems comply to the specified voltage limits for the light.

NOTES:

In using this guide, you agree J.W. Speaker is not responsible for any damage, misuse, or personal injuries. This document is intended as an educational guide only and does not make guarantees on any finished results.

To properly install this light you should have a good understanding of automotive electrical procedures and systems, and proficiency in the installation of lights. **IF YOU DO NOT, PLEASE SEEK PROFESSIONAL ASSISTANCE.**



⚠ **WARNING:** Cancer and Reproductive Harm - www.P65Warnings.ca.gov
 ⚠ **AVERTISSEMENT:** Cancer et effet nocif sur la reproduction - www.P65Warnings.ca.gov

PRODUCT WARRANTY:

If you have issues with a J.W. Speaker product, please contact the authorized retailer where you purchased it.

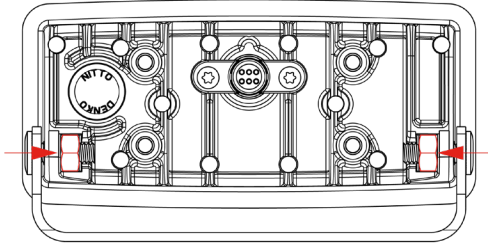


INSTALLATION INSTRUCTIONS:

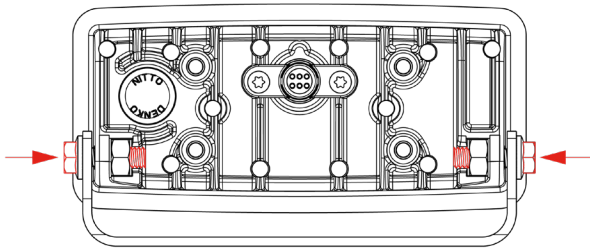
BEFORE BEGINNING: J.W. Speaker's Model 6048 LED 4 Color Auxiliary Light is intended for the Agriculture, Construction, Industrial, Material Handling, Mining, Off-Road, Railroad, Specialty Vehicle, Truck & Bus markets.

IMPORTANT: Model 6048 4 Color Auxiliary Light is programmed to display 4 separate colors: Amber, Blue, Green, and Red.

1. First attach the mounting bracket (#2) to the light (#1). Place the hex nuts (#6) into the back of the light.



2. Line up the bolts (#7) with the mounting bracket (#2) and the light (#1). Thread the bolt through the bracket, light and hex nuts (#6).



3. Aim the light as desired by loosening the bolts and rotating the light. Tighten when you have found your desired angle.
4. Next mount the light to the vehicle. Insert the mounting bolt (#3) through the center hole of the mounting bracket (#2) and through the desired location on the vehicle. Add washer (#4) to the bolt, then tighten a hex nut (#5) to the bolt.
5. Plug in the provided wire connector (#9) into the back of the lamp and test to make sure the light is working.

6. Secure the wire connector onto the back of the light using the screws provided (#8).

