

INSTALLATION INSTRUCTIONS

⚠ WARNING

To properly install this warning light you should have a good understanding of automotive electrical procedures and systems, and proficiency in the installation of warning lights. **IF YOU DO NOT, PLEASE SEEK PROFESSIONAL ASSISTANCE.**

BEFORE INSTALLATION:

- Estimated Time:** 15 Minutes
- Tools Needed:** Wrench
Wire Cutters
- Wire Functions:** Toggle Mode:
White = Power (+) 24V
Green + Black = Ground (-)
- Switched Mode:
White = Power (+) Cool White
Green = Power (+) Warm White
Black = Ground (-)

- In the Box:**
1. (1x) Model 526 Dual White Light
 2. (1x) 3-Pin ICON Wire Harness
 - 3 (1x) Mounting Bolt
 4. (1x) Mounting Bracket
 5. (1x) Lock Washer
 6. (1x) Hex Nut

- Input Voltage:** 24 V DC
- Operating Voltage:** 16-32 V DC

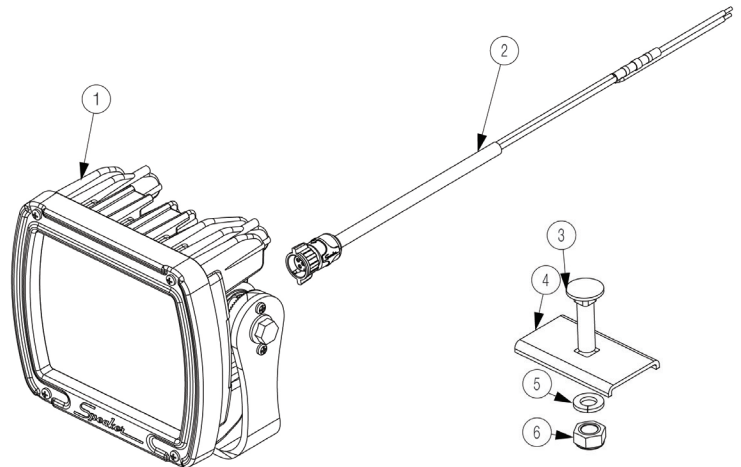
PRE-INSTALLATION INSTRUCTIONS:

1. Read all safety notes and mounting guidelines before installing the product. Verify that all parts listed under "In the Box" are present and complete.
2. Inspect the product for damage. DO NOT install the product if there is any damage. Contact the authorized retailer where you purchased it to initiate a warranty claim if there is damage.
3. Verify that all power supply and/or charging systems comply to the specified voltage limits for the light.

NOTES:

In using this guide, you agree J.W. Speaker is not responsible for any damage, misuse, or personal injuries. This document is intended as an educational guide only and does not make guarantees on any finished results.

To properly install this light you should have a good understanding of automotive electrical procedures and systems, and proficiency in the installation of lights. **IF YOU DO NOT, PLEASE SEEK PROFESSIONAL ASSISTANCE.**



⚠ **WARNING:** Cancer and Reproductive Harm - www.P65Warnings.ca.gov
 ⚠ **AVERTISSEMENT:** Cancer et effet nocif sur la reproduction - www.P65Warnings.ca.gov

PRODUCT WARRANTY:

If you have issues with a J.W. Speaker product, please contact the authorized retailer where you purchased it.



INSTALLATION INSTRUCTIONS:

BEFORE BEGINNING: J.W. Speaker's Model 526 Dual White is a Work Light for the heavy-duty tucking/mining market.

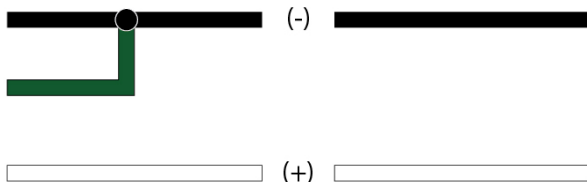
IMPORTANT: MODEL 526 Dual White Anti-Glare contains 2 strings of LEDs: Cool White and Warm White. Each string may be driven on its own, or can be toggled between the 2 in "toggle" mode. The wire harness is already set to toggle mode.

Model 526 Dual White defaults to Cool White LEDs when in toggle mode. To toggle, power cycle the light within 5 seconds. Remember to use the correct toggle install wires: green and black.

To remove toggle function cut the black and green wires so they are no longer connected together to have 3 separate wires.

1. First mount light to the vehicle. Insert the mounting bolt (#3) through the bracket, add washer (#5) to the bolt under the bracket, then tighten a hex nut (#6) to the bolt.
2. Aim Model 526 Dual White as desired using the disk adjusters located on the back of the light.
3. Plug in the provided harness into the back of the lamp.
4. Test to make sure the light is working.

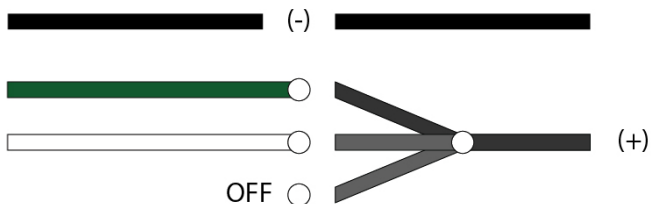
TOGGLE FUNCTION (2 WIRE INSTALL):



FUNCTION DESCRIPTION:

Lamp will 'toggle' between cool and warm when power is cycled on/off/on within five (5) seconds.

SWITCH FUNCTION (3 WIRE INSTALL):



FUNCTION DESCRIPTION:

Three position switch controls OFF/WARM/COOL.

Green Wire = Warm White

White Wire = Cool White