

BENCH TESTING INSTRUCTIONS

⚠ WARNING



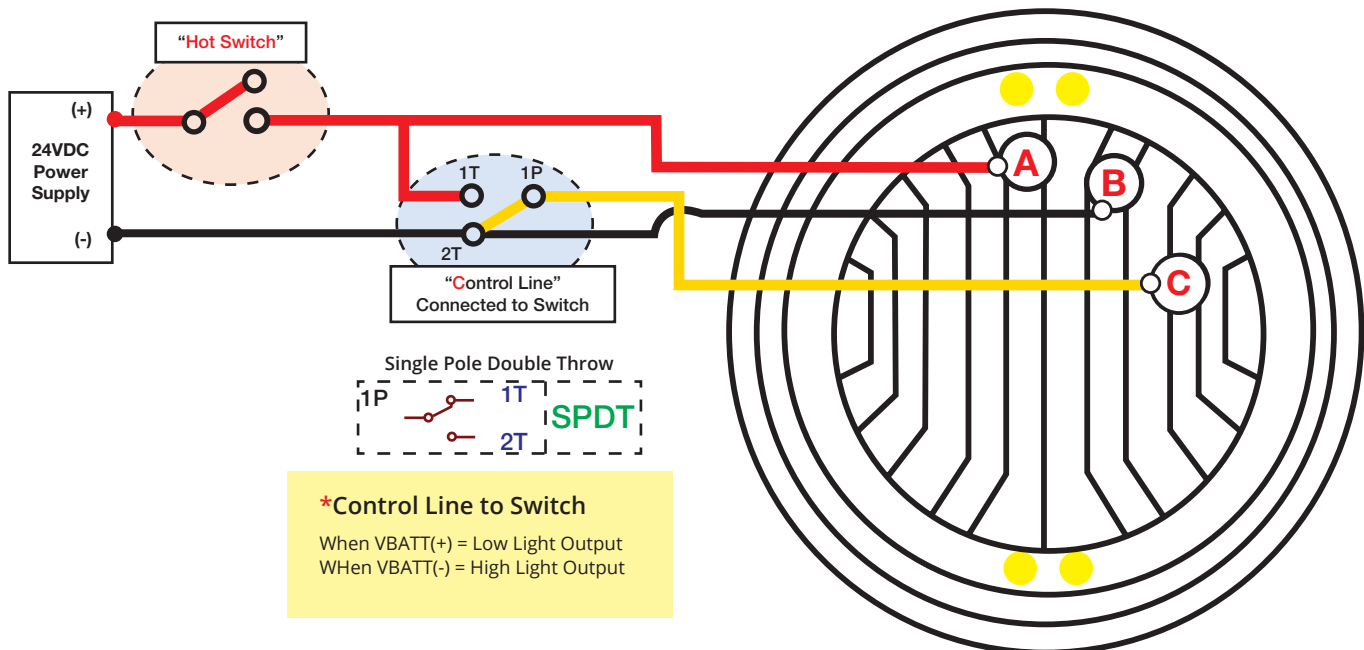
To properly install this headlight you should have a good understanding of automotive electrical procedures and systems, and proficiency in the installation of headlights. **IF YOU DO NOT, PLEASE SEEK PROFESSIONAL ASSISTANCE.**

NOTE: Bench test setup required because lab power supplies typically have a soft start (power ramps up slowly.) Lamp does not function normally with a soft start.

INSTALLATION:

Instructions for bench testing locomotive light:

1. Wire lamp and switches per diagram above.
2. Turn power supply ON. Allow supply to reach desired voltage.
3. Close "Hot Switch" to put power to circuit.
4. The lamp can now be switched between High and Low Light Outputs using the Control Line switch.



* Control line must be connected to power V_+ or Ground V_- .
At powerup of lamp, **control line cannot be floating** (Not connected)!