

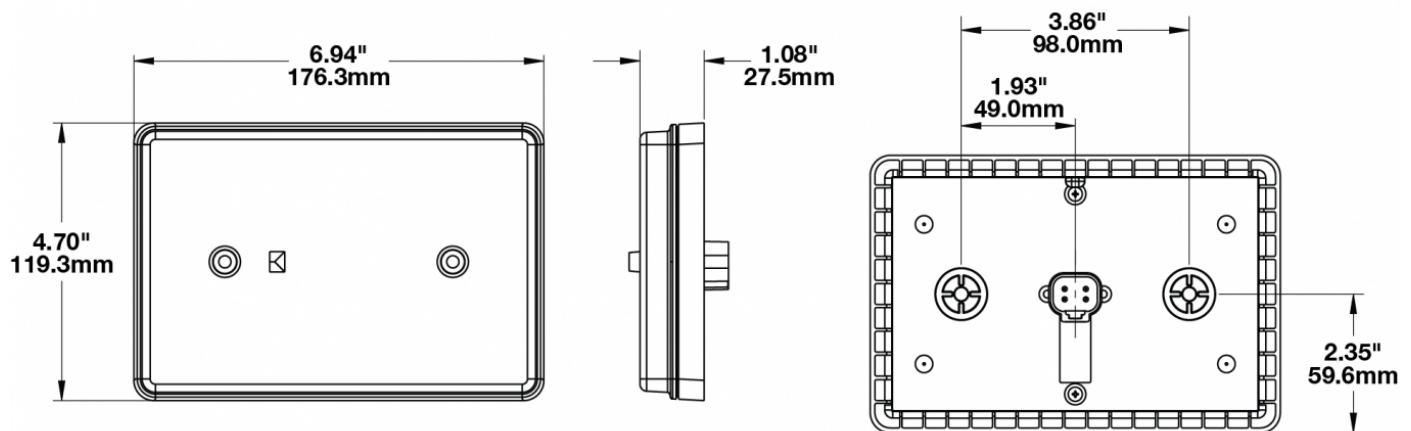
# LED Tail Lights - Model 225

## PRODUCT INFORMATION

<b>Description</b>	12-24V ECE/SAE LED Stop, Tail & Turn Signal Light
<b>Height</b>	119.38 mm / 4.7 in
<b>Width</b>	175.26 mm / 6.9 in
<b>Depth</b>	27.94 mm / 1.1 in
<b>Shape</b>	Rectangular
<b>Outer Lens Material</b>	Polycarbonate
<b>Outer Lens Color</b>	Amber
<b>Housing Material</b>	Polycarbonate
<b>Housing Color</b>	Black
<b>Bezel Color</b>	N/A
<b>Mounting Hardware Description</b>	(x2) #8-15 x 1-3/4" Stainless Steel Screw
<b>Minimum Operating Temperature</b>	-40 °C / -40 °F
<b>Maximum Operating Temperature</b>	65 °C / 149 °F
<b>Connector or Wiring</b>	Deutsch DT04-4P
<b>Mating Connector</b>	Deutsch DT06-4S
<b>Product Weight</b>	0.47 lbs / 0.21 kgs



## PRODUCT DIMENSIONS



Print date: 2017-08-16

© 2017 J.W. Speaker Corporation • Germantown, WI U.S.A.  
 www.jwspeaker.com • speaker@jwspeaker.com • 262.251.6660

**J.W. SPEAKER**  
 Engineered. Lighting. Solutions.

# LED Tail Lights - Model 225

## ELECTRICAL SPECIFICATIONS

<b>Input Voltage</b>	12-24V DC
<b>Operating Voltage</b>	10-32V DC
<b>Transient Spike Protection</b>	330V Peak @ 1 HZ-100 Pulses
<b>Black Wire</b>	Ground
<b>Red Wire</b>	Stop
<b>White Wire</b>	Tail
<b>Yellow Wire</b>	Turn
<b>Current Draw</b>	1.40A @ 12V DC 0.86A @ 24V DC

## REGULATORY STANDARDS COMPLIANCE

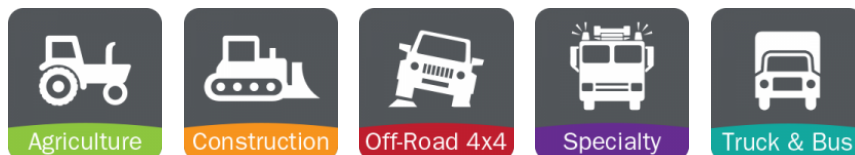


Buy America Standards	ECE Reg 6
ECE Reg 7	Eco Friendly
IEC IP67	IEC IP69K

## PHOTOMETRIC SPECIFICATIONS

<b>Beam Pattern(s)</b>	Signalization - Stop Signalization - Tail Signalization - Turn (Front) Signalization - Turn (Rear)
------------------------	---

## APPLICATIONS



Print date: 2017-08-16

© 2017 J.W. Speaker Corporation • Germantown, WI U.S.A.  
www.jwspeaker.com • speaker@jwspeaker.com • 262.251.6660

**J.W. SPEAKER**  
Engineered. Lighting. Solutions.