

Round LED Off Road Warning Light - Model Trail 6 Flash

PRODUCT INFORMATION

Description	12V LED Off-Road Deceleration Light - Kit of 2
Height	94.00 mm / 3.7 in
Width	91.00 mm / 3.58 in
Depth	61.30 mm / 2.41 in
Shape	Round
Outer Lens Material	Polycarbonate
Outer Lens Color	Clear
Housing Material	Aluminium
Housing Color	Black
Bezel Color	Graphite
Mounting Hardware Description	(x1) 8-1.25 x 20 Stainless Steel
Mounting Type	Pedestal/Panel
Minimum Operating Temperature	-40 °C / -40 °F
Maximum Operating Temperature	80 °C / 176 °F
Connector or Wiring	Integrated Connector Harness
Product Weight	2.00 lbs / 0.91 kgs
Shipping Weight	2.85 lbs / 1.29 kgs



TRAIL 6 FLASH

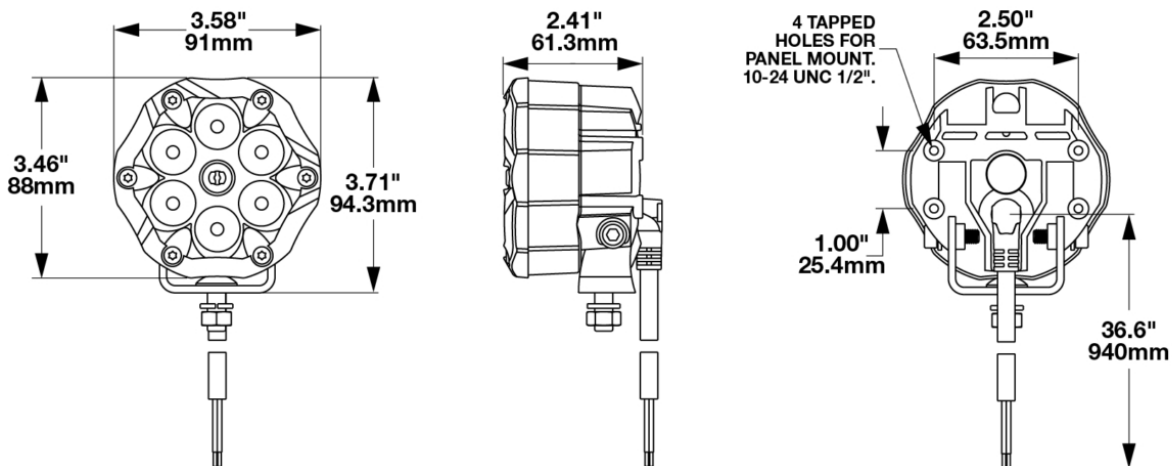
Print date: 2026-06-04

© 2026 J.W. Speaker Corporation • Germantown, WI U.S.A.
www.jwspeaker.com • speaker@jwspeaker.com • 262.251.6660

J.W. SPEAKER 
Engineered. Lighting. Solutions.

Round LED Off Road Warning Light - Model Trail 6 Flash

PRODUCT DIMENSIONS



ELECTRICAL SPECIFICATIONS

Input Voltage	12V DC
Operating Voltage	10-15V DC
Red Wire	Power
White Wire	Over-Ride
Black Wire	Ground
Green Wire	Sensitivity
Current Draw	0.87A @ 12V DC

REGULATORY STANDARDS COMPLIANCE



Buy America Standards

Eco Friendly

Print date: 2026-06-04

© 2026 J.W. Speaker Corporation • Germantown, WI U.S.A.
www.jwspeaker.com • speaker@jwspeaker.com • 262.251.6660

J.W. SPEAKER
Engineered. Lighting. Solutions.

Round LED Off Road Warning Light - Model Trail 6 Flash

PHOTOMETRIC SPECIFICATIONS

Raw Lumen Output	690
Effective Lumen Output	330
Candela Output	10,000
Beam Pattern(s)	Warning - Flashing Warning

APPLICATIONS



PRODUCT WARNINGS

For California residents:

⚠ **WARNING:** Cancer and reproductive harm - www.P65Warnings.ca.gov.

⚠ **AVERTISSEMENT:** Cancer et effet nocif sur la reproduction - www.P65Warnings.ca.gov.

ACCESSORIES



Part Number
8200543
APPEARANCE KIT -
BLACK



Part Number
8200553
Appearance Kit - RED



Part Number
3271561
4 PIN M12 CABLE, 10
m



Part Number
3271571
M12-RCA CONVERSION
CABLE

Print date: 2026-06-04

© 2026 J.W. Speaker Corporation • Germantown, WI U.S.A.
www.jwspeaker.com • speaker@jwspeaker.com • 262.251.6660