

Round LED Warning Light - Model Trail 6 Flash

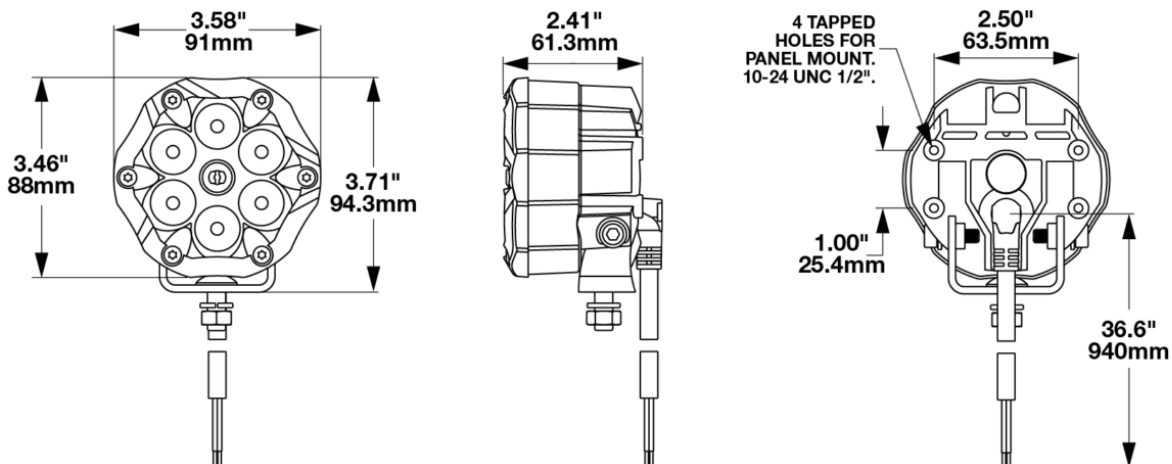
PRODUCT INFORMATION

Description	12V LED Safety & Warning Light
Height	94.00 mm / 3.7 in
Width	91.00 mm / 3.58 in
Depth	61.30 mm / 2.41 in
Shape	Round
Outer Lens Material	Polycarbonate
Outer Lens Color	Clear
Housing Material	Aluminium
Housing Color	Black
Bezel Color	Graphite
Mounting Hardware Description	(x1) 8-1.25 x 20 Stainless Steel
Mounting Type	Pedestal/Panel
Minimum Operating Temperature	40 °C / 104 °F
Maximum Operating Temperature	80 °C / 176 °F
Connector or Wiring	Integrated Connector Harness
Product Weight	2.00 lbs / 0.91 kgs
Shipping Weight	2.85 lbs / 1.29 kgs



TRAIL 6 FLASH.

PRODUCT DIMENSIONS



Print date: 2019-12-16

© 2019 J.W. Speaker Corporation • Germantown, WI U.S.A.
www.jwspeaker.com • speaker@jwspeaker.com • 262.251.6660

J.W. SPEAKER
Engineered. Lighting. Solutions.

Round LED Warning Light - Model Trail 6 Flash

ELECTRICAL SPECIFICATIONS

Input Voltage	12V DC
Operating Voltage	10-15V DC
Red Wire	Power
White Wire	Over-Ride
Black Wire	Ground
Green Wire	Sensitivity
Current Draw	0.87A @ 12V DC

REGULATORY STANDARDS COMPLIANCE



Buy America Standards

Eco Friendly

PHOTOMETRIC SPECIFICATIONS

Raw Lumen Output	690
Effective Lumen Output	330
Candela Output	10,000
Beam Pattern(s)	Warning - Flashing Warning

APPLICATIONS



Print date: 2019-12-16

© 2019 J.W. Speaker Corporation • Germantown, WI U.S.A.
www.jwspeaker.com • speaker@jwspeaker.com • 262.251.6660

Round LED Warning Light - Model Trail 6 Flash

PRODUCT WARNINGS

For California residents:

⚠ **WARNING:** Cancer and reproductive harm - www.P65Warnings.ca.gov.

⚠ **AVERTISSEMENT:** Cancer et effet nocif sur la reproduction - www.P65Warnings.ca.gov.

Print date: 2019-12-16

© 2019 J.W. Speaker Corporation • Germantown, WI U.S.A.

www.jwspeaker.com • speaker@jwspeaker.com • 262.251.6660

J.W. SPEAKER 
Engineered. Lighting. Solutions.