

Round LED Light Pods - Model Trail 6 Sport

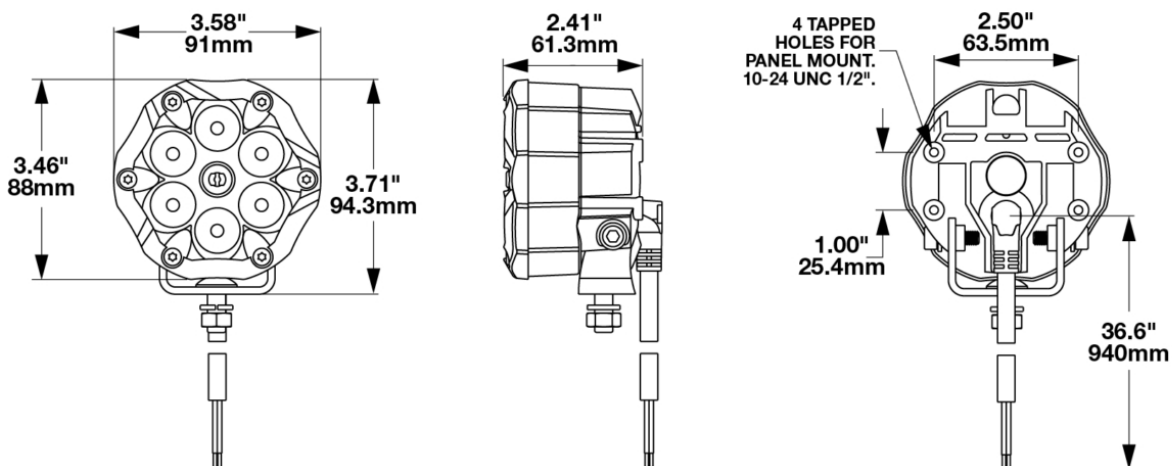
PRODUCT INFORMATION

Description	12V LED Off Road Light
Height	94.00 mm / 3.7 in
Width	91.00 mm / 3.58 in
Depth	61.30 mm / 2.41 in
Shape	Round
Outer Lens Material	Polycarbonate
Outer Lens Color	Clear
Housing Material	Aluminium
Housing Color	Black
Bezel Color	Graphite
Mounting Hardware Description	(x1) 8-1.25 x 20 Stainless Steel
Mounting Type	Pedestal/Panel
Minimum Operating Temperature	40 °C / 104 °F
Maximum Operating Temperature	80 °C / 176 °F
Connector or Wiring	3' Cable with Integrated Connector
Product Weight	2.00 lbs / 0.91 kgs
Shipping Weight	2.85 lbs / 1.29 kgs



TRAIL 6 SPORT.

PRODUCT DIMENSIONS



Print date: 2019-12-16

© 2019 J.W. Speaker Corporation • Germantown, WI U.S.A.
www.jwspeaker.com • speaker@jwspeaker.com • 262.251.6660

J.W. SPEAKER
Engineered. Lighting. Solutions.

Round LED Light Pods - Model Trail 6 Sport

ELECTRICAL SPECIFICATIONS

Input Voltage	12V DC
Operating Voltage	9-16V DC
Black Wire	Ground
Red Wire	Power
Current Draw	2.80A @ 12V DC

REGULATORY STANDARDS COMPLIANCE



Buy America Standards

Eco Friendly

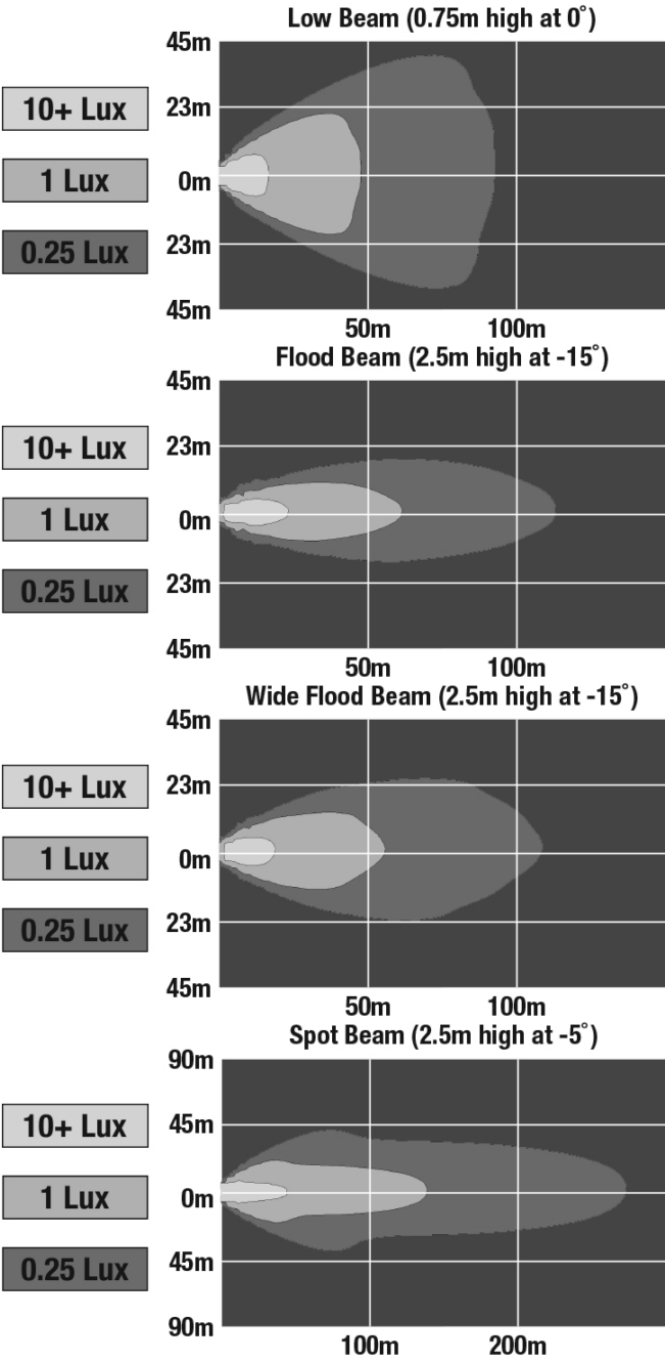
Print date: 2019-12-16

© 2019 J.W. Speaker Corporation • Germantown, WI U.S.A.
www.jwspeaker.com • speaker@jwspeaker.com • 262.251.6660

Round LED Light Pods - Model Trail 6 Sport

PHOTOMETRIC SPECIFICATIONS

Raw Lumen Output	3,830
Effective Lumen Output	2,380
Candela Output	24,200
Beam Pattern(s)	Forward Lighting - Flood (Super Wide) Forward Lighting - Flood (Wide) Forward Lighting - Spot



Print date: 2019-12-16

© 2019 J.W. Speaker Corporation • Germantown, WI U.S.A.
www.jwspeaker.com • speaker@jwspeaker.com • 262.251.6660



Round LED Light Pods - Model Trail 6 Sport

APPLICATIONS



PRODUCT WARNINGS

For California residents:

⚠ WARNING: Cancer and reproductive harm - www.P65Warnings.ca.gov.

⚠ AVERTISSEMENT: Cancer et effet nocif sur la reproduction - www.P65Warnings.ca.gov.

ACCESSORIES



Part Number

8200573

Jeep Wrangler JK Front
Grille Mounting Kit - 2
Bracket Kit

Print date: 2019-12-16

© 2019 J.W. Speaker Corporation • Germantown, WI U.S.A.
www.jwspeaker.com • speaker@jwspeaker.com • 262.251.6660