

Reflector LED Headlights - Model 8720

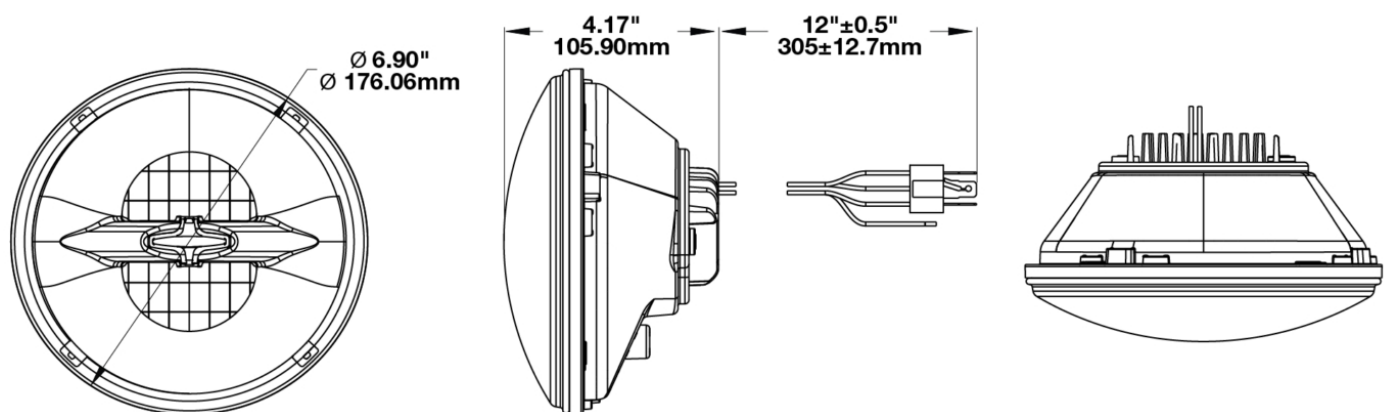
PRODUCT INFORMATION

Description	12V DOT/ECE Reflector Headlight with Dark Chrome Inner Bezel
Height	175.00 mm / 6.89 in
Width	175.00 mm / 6.89 in
Depth	110.00 mm / 4.33 in
Shape	Round
Outer Lens Material	Polycarbonate
Outer Lens Color	Clear
Housing Material	Aluminum
Housing Color	Black
Bezel Color	Dark Chrome
Retrofits	Bucket 7" Round Headlights (PAR56)
Connector or Wiring	H4
Mating Connector	H4 AMP#172615-2
Product Weight	1.77 lbs / 0.8 kgs
Shipping Weight	2.74 lbs / 1.24 kgs
Additional Information	Includes H-4 connector with 4th front position wire for ECE-compliance.



MODEL
8720

PRODUCT DIMENSIONS



Print date: 2024-11-10

© 2024 J.W. Speaker Corporation • Germantown, WI U.S.A.
www.jwspeaker.com • speaker@jwspeaker.com • 262.251.6660

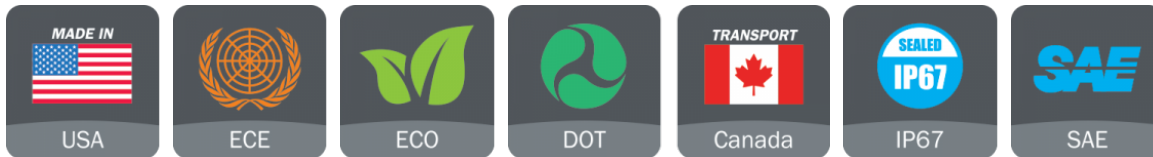
J.W. SPEAKER
Engineered. Lighting. Solutions.

Reflector LED Headlights - Model 8720

ELECTRICAL SPECIFICATIONS

Input Voltage	12V DC
Operating Voltage	9-16V DC
Black Wire	Ground
White Wire	High Beam
Yellow Wire	Low Beam
Red Wire	Front Position
Current Draw	2.67A @ 12V DC (High Beam) 1.67A @ 12V DC (Low Beam) 0.13A @ 12V DC (Front Position)

REGULATORY STANDARDS COMPLIANCE



Buy America Standards	ECE Reg 113
ECE Reg 50	Eco Friendly
FMVSS 108 s10.1 (Table XX)	IEC IP67
SAE J584	Tested to ECE Reg. 10 (Radiated Emissions only)

Print date: 2024-11-10

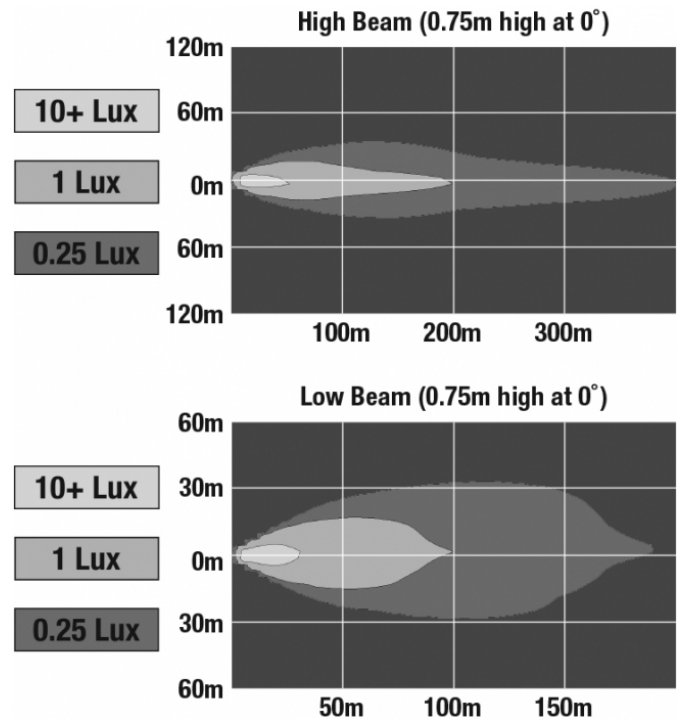
© 2024 J.W. Speaker Corporation • Germantown, WI U.S.A.
www.jwspeaker.com • speaker@jwspeaker.com • 262.251.6660

J.W. SPEAKER 
Engineered. Lighting. Solutions.

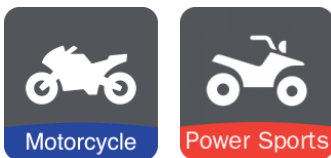
Reflector LED Headlights - Model 8720

PHOTOMETRIC SPECIFICATIONS

Raw Lumen Output	1,620 (High Beam); 925 (Low Beam)
Effective Lumen Output	850 (High Beam); 500 (Low Beam)
Candela Output	41,000 (High Beam); 12,110 (Low Beam)
Nominal LED Color Temperature	5000 K
Beam Pattern(s)	Forward Lighting - High Beam (DOT/ECE) Forward Lighting - Low Beam (DOT/ECE) Signalization - Front Position



APPLICATIONS



PRODUCT WARNINGS

For California residents:

⚠ **WARNING:** Cancer and reproductive harm - www.P65Warnings.ca.gov.

⚠ **AVERTISSEMENT:** Cancer et effet nocif sur la reproduction - www.P65Warnings.ca.gov.

Print date: 2024-11-10

© 2024 J.W. Speaker Corporation • Germantown, WI U.S.A.
www.jwspeaker.com • speaker@jwspeaker.com • 262.251.6660

J.W. SPEAKER
Engineered. Lighting. Solutions.

Reflector LED Headlights - Model 8720

ACCESSORIES



Part Number
8200411

Wire Harness for 7"
Motorcycle Headlights

RELATED PRODUCTS



Part Number
0552861

12V DOT/ECE Reflector
Headlight with Chrome
Inner Bezel