

# Reflector LED Headlights - Model 8620

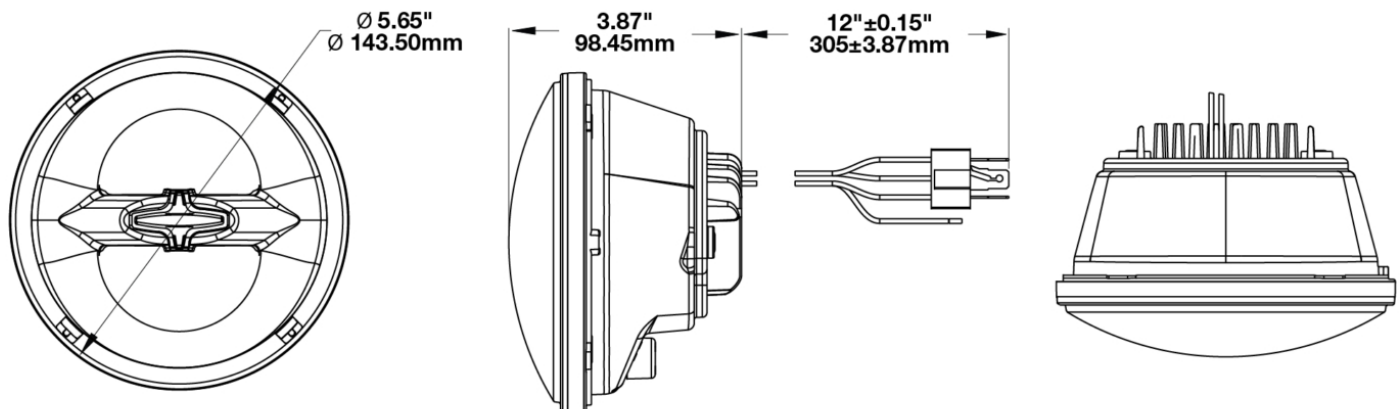
## PRODUCT INFORMATION

|                               |  |
|-------------------------------|--|
| <b>Description</b>            | 12V DOT/ECE High & Low Beam Reflector Headlight with Dark Chrome Inner Bezel |
| <b>Height</b>                 | 145.00 mm / 5.71 in  |
| <b>Width</b>                  | 145.00 mm / 5.71 in  |
| <b>Depth</b>                  | 98.50 mm / 3.88 in   |
| <b>Shape</b>                  | Round  |
| <b>Outer Lens Material</b>    | Polycarbonate  |
| <b>Outer Lens Color</b>       | Clear  |
| <b>Housing Material</b>       | Aluminum   |
| <b>Housing Color</b>          | Black  |
| <b>Bezel Color</b>            | Dark Chrome  |
| <b>Retrofits</b>              | Bucket 5.75" Round Headlights (PAR46)  |
| <b>Connector or Wiring</b>    | H4   |
| <b>Mating Connector</b>       | H4 AMP#172515-2  |
| <b>Product Weight</b>         | 1.49 lbs / 0.68 kgs  |
| <b>Shipping Weight</b>        | 2.90 lbs / 1.32 kgs  |
| <b>Additional Information</b> | Includes H-4 connector with 4th front position wire for ECE compliance.      |



MODEL  
**8620**

## PRODUCT DIMENSIONS



Print date: 2026-05-30

© 2026 J.W. Speaker Corporation • Germantown, WI U.S.A.  
www.jwspeaker.com • speaker@jwspeaker.com • 262.251.6660

**J.W. SPEAKER**  
Engineered. Lighting. Solutions.

# Reflector LED Headlights - Model 8620

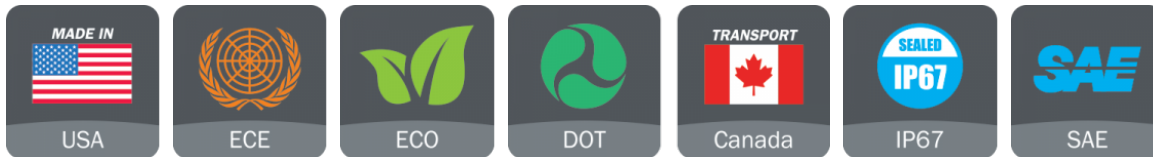
## ELECTRICAL SPECIFICATIONS

---

|                          |  |
|--------------------------|--|
| <b>Input Voltage</b>     | 12V DC   |
| <b>Operating Voltage</b> | 9-16V DC   |
| <b>Black Wire</b>        | Ground   |
| <b>White Wire</b>        | High Beam  |
| <b>Yellow Wire</b>       | Low Beam   |
| <b>Red Wire</b>          | Front Position   |
| <b>Current Draw</b>      | 2.67A @ 12V DC (High Beam)<br>1.67A @ 12V DC (Low Beam)<br>0.13A @ 12V DC (Front Position) |

## REGULATORY STANDARDS COMPLIANCE

---



|                            |              |
|----------------------------|--------------|
| Buy America Standards      | ECE Reg 113  |
| ECE Reg 50                 | Eco Friendly |
| FMVSS 108 s10.1 (Table XX) | IEC IP67     |
| SAE J584                   |              |

**Print date: 2026-05-30**

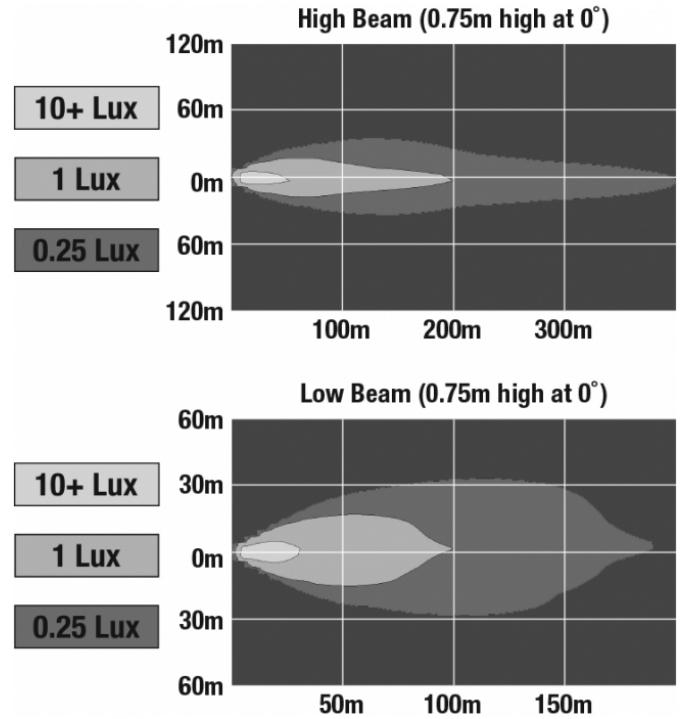
© 2026 J.W. Speaker Corporation • Germantown, WI U.S.A.  
www.jwspeaker.com • speaker@jwspeaker.com • 262.251.6660

**J.W. SPEAKER**   
Engineered. Lighting. Solutions.

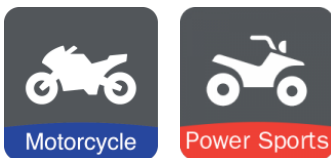
# Reflector LED Headlights - Model 8620

## PHOTOMETRIC SPECIFICATIONS

|                                      |   |
|--------------------------------------|---|
| <b>Raw Lumen Output</b>              | 1,620 (High Beam); 925 (Low Beam)   |
| <b>Effective Lumen Output</b>        | 850 (High Beam); 500 (Low Beam)   |
| <b>Candela Output</b>                | 41,000 (High Beam); 12,110 (Low Beam)   |
| <b>Nominal LED Color Temperature</b> | 5000 K  |
| <b>Beam Pattern(s)</b>               | Forward Lighting - High Beam (DOT/ECE)<br>Forward Lighting - Low Beam (DOT/ECE)<br>Signalization - Front Position |



## APPLICATIONS



## PRODUCT WARNINGS

For California residents:

⚠ **WARNING:** Cancer and reproductive harm - [www.P65Warnings.ca.gov](http://www.P65Warnings.ca.gov).

⚠ **AVERTISSEMENT:** Cancer et effet nocif sur la reproduction - [www.P65Warnings.ca.gov](http://www.P65Warnings.ca.gov).

Print date: 2026-05-30

© 2026 J.W. Speaker Corporation • Germantown, WI U.S.A.  
www.jwspeaker.com • speaker@jwspeaker.com • 262.251.6660

**J.W. SPEAKER**  
Engineered. Lighting. Solutions.

# Reflector LED Headlights - Model 8620

## RELATED PRODUCTS

---



**Part Number**  
**0553011**

12V DOT/ECE High &  
Low Beam Reflector  
Headlight with Chrome  
Inner Bezel

---

**Print date: 2026-05-30**

© 2026 J.W. Speaker Corporation • Germantown, WI U.S.A.  
www.jwspeaker.com • speaker@jwspeaker.com • 262.251.6660