

Reflector LED Headlights - Model 8620

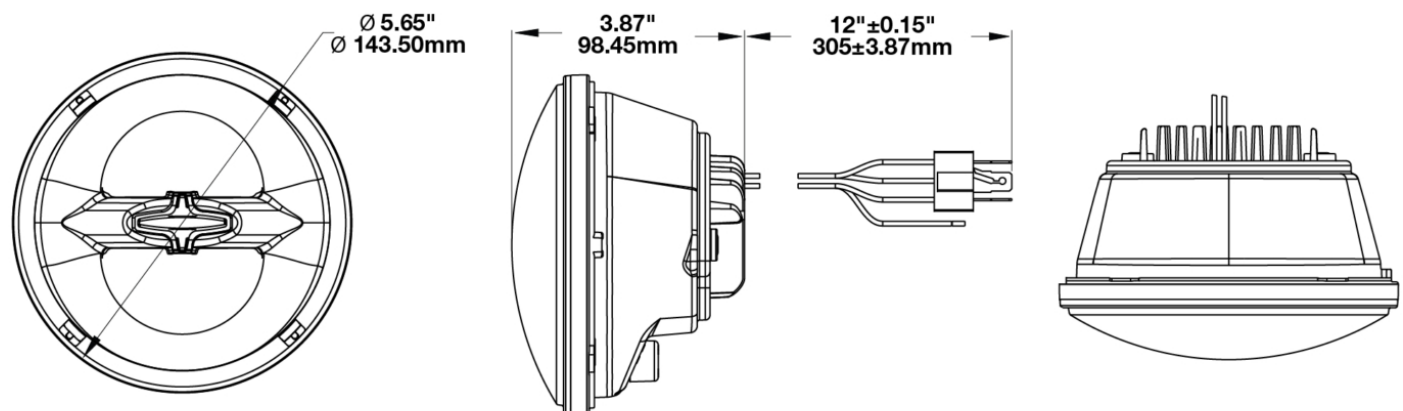
PRODUCT INFORMATION

Description	12V DOT/ECE Reflector Headlight with Chrome Inner Bezel
Height	145.00 mm / 5.71 in
Width	145.00 mm / 5.71 in
Depth	98.50 mm / 3.88 in
Shape	Round
Outer Lens Material	Polycarbonate
Outer Lens Color	Clear
Housing Material	Aluminum
Housing Color	Black
Bezel Color	Chrome
Retrofits	Bucket 5.75" Round Headlights (PAR46)
Connector or Wiring	H4
Mating Connector	H4 AMP#172515-2
Product Weight	1.49 lbs / 0.68 kgs
Shipping Weight	2.45 lbs / 1.11 kgs
Additional Information	□ Includes H-4 connector with 4th front position wire for ECE compliance.



MODEL
8620

PRODUCT DIMENSIONS



Print date: 2018-11-14

© 2018 J.W. Speaker Corporation • Germantown, WI U.S.A.
www.jwspeaker.com • speaker@jwspeaker.com • 262.251.6660

J.W. SPEAKER
Engineered. Lighting. Solutions.

Reflector LED Headlights - Model 8620

ELECTRICAL SPECIFICATIONS

Input Voltage	12V DC
Operating Voltage	9-16V DC
Black Wire	Ground
White Wire	High Beam
Yellow Wire	Low Beam
Red Wire	Front Position
Current Draw	2.67A @ 12V DC (High Beam) 1.67A @ 12V DC (Low Beam) 0.13A @ 12V DC (Front Position)

REGULATORY STANDARDS COMPLIANCE



Buy America Standards	ECE Reg 113
ECE Reg 50	Eco Friendly
FMVSS 108 Table XX	IEC IP67
SAE J584	Tested to ECE Reg. 10 (Radiated Emissions only)

Print date: 2018-11-14

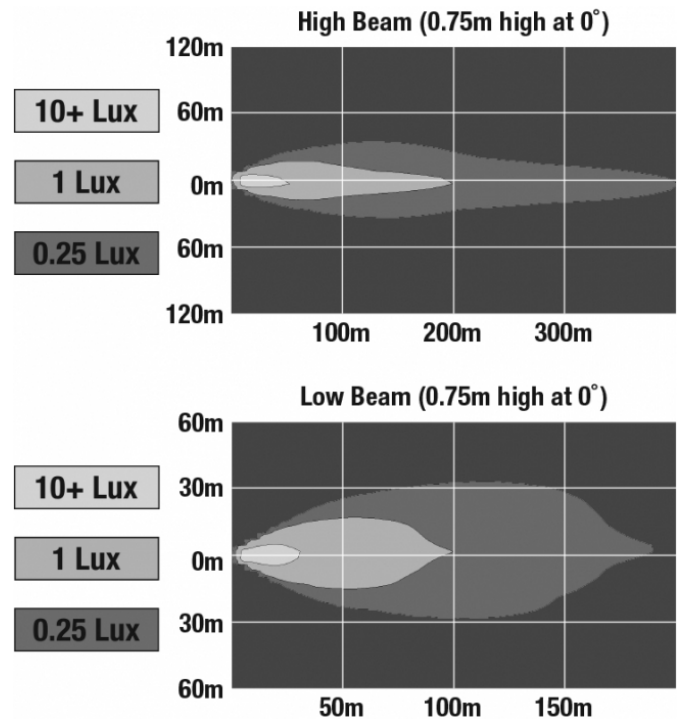
© 2018 J.W. Speaker Corporation • Germantown, WI U.S.A.
www.jwspeaker.com • speaker@jwspeaker.com • 262.251.6660

J.W. SPEAKER®
Engineered. Lighting. Solutions.

Reflector LED Headlights - Model 8620

PHOTOMETRIC SPECIFICATIONS

Raw Lumen Output	1,620 (High Beam); 925 (Low Beam)
Effective Lumen Output	850 (High Beam); 500 (Low Beam)
Candela Output	41,000 (High Beam); 12,110 (Low Beam)
Nominal LED Color Temperature	5000 K
Beam Pattern(s)	Forward Lighting - High Beam (DOT/ECE) Forward Lighting - Low Beam (DOT/ECE) Signalization - Front Position



APPLICATIONS



Print date: 2018-11-14

© 2018 J.W. Speaker Corporation • Germantown, WI U.S.A.
www.jwspeaker.com • speaker@jwspeaker.com • 262.251.6660