

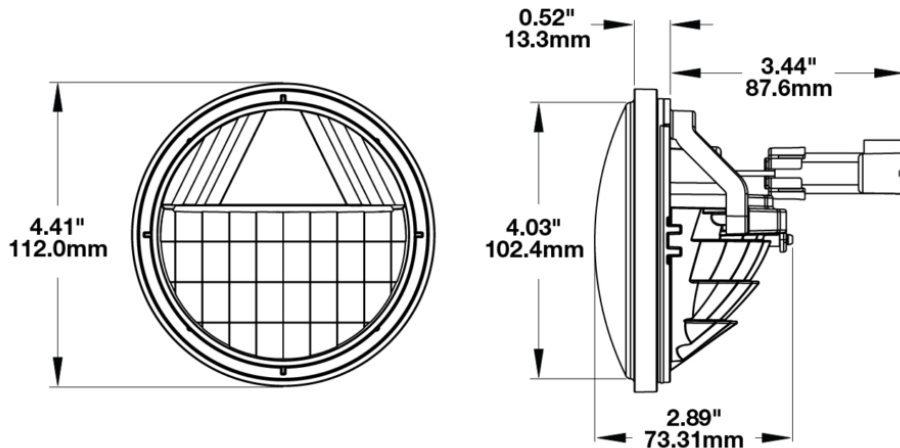
Reflector LED Fog Lights - Model 6025

PRODUCT INFORMATION

Description	6025-12V Harmonized Fog Lamp Kit
Product Weight	1.00 lbs / 0.45 kgs
Shipping Weight	3.16 lbs / 1.43 kgs



PRODUCT DIMENSIONS



Print date: 2026-05-30

© 2026 J.W. Speaker Corporation • Germantown, WI U.S.A.
www.jwspeaker.com • speaker@jwspeaker.com • 262.251.6660

Reflector LED Fog Lights - Model 6025

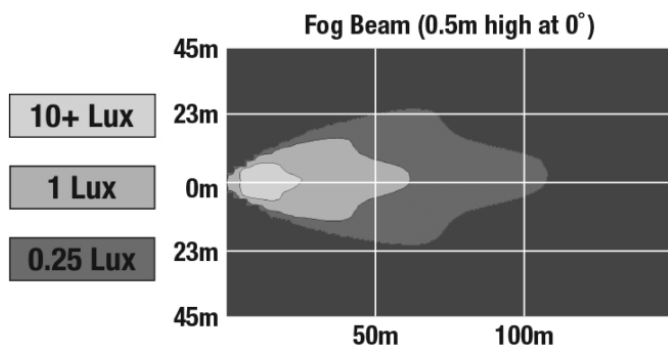
REGULATORY STANDARDS COMPLIANCE



ECE Reg 19
SAE J583

IEC IP67

PHOTOMETRIC SPECIFICATIONS



PRODUCT WARNINGS

For California residents:

⚠ WARNING: Cancer and reproductive harm - www.P65Warnings.ca.gov.

⚠ AVERTISSEMENT: Cancer et effet nocif sur la reproduction - www.P65Warnings.ca.gov.

Print date: 2026-05-30

© 2026 J.W. Speaker Corporation • Germantown, WI U.S.A.
www.jwspeaker.com • speaker@jwspeaker.com • 262.251.6660

J.W. SPEAKER
Engineered. Lighting. Solutions.

Reflector LED Fog Lights - Model 6025

RELATED PRODUCTS



Part Number

0553021

12V SAE/ECE RHT &
LHT Reflector Fog
Light

Print date: 2026-05-30

© 2026 J.W. Speaker Corporation • Germantown, WI U.S.A.
www.jwspeaker.com • speaker@jwspeaker.com • 262.251.6660

J.W. SPEAKER 
Engineered. Lighting. Solutions.