

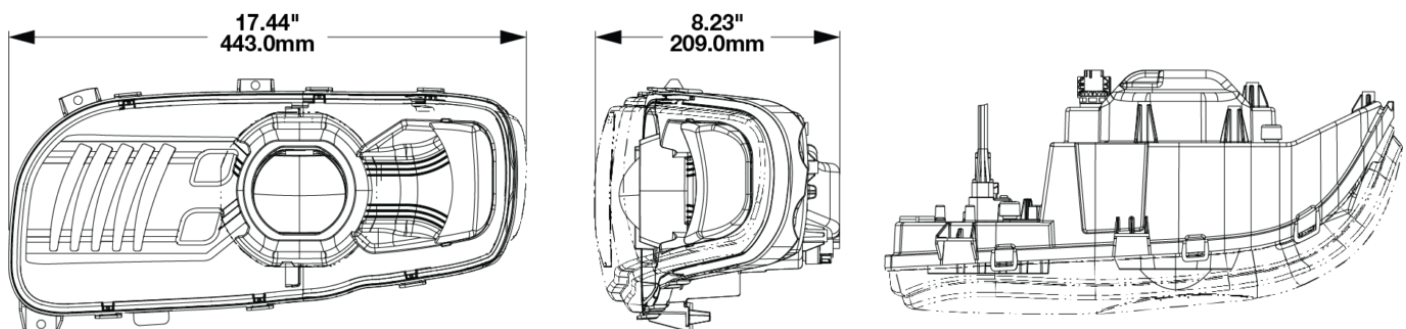
# Peterbilt POD LED Headlights - Model 9600

## PRODUCT INFORMATION

<b>Description</b>	12V Peterbilt LED Headlight, Left-hand, Chrome Bezel (Single light)
<b>Height</b>	215.00 mm / 8.46 in
<b>Width</b>	443.00 mm / 17.44 in
<b>Depth</b>	210.00 mm / 8.27 in
<b>Shape</b>	Stylized
<b>Outer Lens Material</b>	Polycarbonate
<b>Outer Lens Color</b>	Clear
<b>Housing Material</b>	Polycarbonate
<b>Housing Color</b>	Black
<b>Bezel Color</b>	Chrome
<b>Minimum Operating Temperature</b>	-40 °C / -40 °F
<b>Maximum Operating Temperature</b>	65 °C / 149 °F
<b>Connector or Wiring</b>	Deutsch DT04-8PA
<b>Mating Connector</b>	Deutsch DT06-8SA
<b>Product Weight</b>	5.65 lbs / 2.56 kgs
<b>Shipping Weight</b>	7.00 lbs / 3.18 kgs



## PRODUCT DIMENSIONS



Print date: 2020-11-24

© 2020 J.W. Speaker Corporation • Germantown, WI U.S.A.  
[www.jwspeaker.com](http://www.jwspeaker.com) • [speaker@jwspeaker.com](mailto:speaker@jwspeaker.com) • 262.251.6660

**J.W. SPEAKER**  
 Engineered. Lighting. Solutions.

# Peterbilt POD LED Headlights - Model 9600

## ELECTRICAL SPECIFICATIONS

<b>Input Voltage</b>	12V DC
<b>Operating Voltage</b>	9-18V DC
<b>Transient Spike Protection</b>	330V Peak @ 1 HZ-100 Pulses
<b>Black Wire</b>	Ground
<b>Red Wire</b>	(+) Rear Repeater
<b>White Wire</b>	High Beam
<b>Yellow Wire</b>	Low Beam
<b>Green Wire</b>	Turn Signal
<b>Brown Wire</b>	Side Marker
<b>Current Draw</b>	2.1A @ 12V DC (Low Beam) 4.2A @ 12V DC (High Beam) 2.15A @ 12V DC (Turn) 0.34A @ 12V DC (Side Marker/Parking)

## REGULATORY STANDARDS COMPLIANCE



FMVSS 108 s10.1 (Table XIX)	FMVSS 108 s10.1 (Table XVIII)
FMVSS 108 s7.1 (Table VI)	FMVSS 108 s7.4 (Table X)
FMVSS 108 s8.1 (Table XVI)	IEC IP67
SAE J588	SAE J592
SAE J594	

Print date: 2020-11-24

© 2020 J.W. Speaker Corporation • Germantown, WI U.S.A.  
www.jwspeaker.com • speaker@jwspeaker.com • 262.251.6660

**J.W. SPEAKER**  
Engineered. Lighting. Solutions.

# Peterbilt POD LED Headlights - Model 9600

## PHOTOMETRIC SPECIFICATIONS

---

<b>Raw Lumen Output</b>	2895 (High Beam); 1200 (Low Beam)
<b>Effective Lumen Output</b>	1020 (High Beam); 614 (Low Beam)
<b>Candela Output</b>	50400 (High Beam); 26690 (Low Beam)
<b>Nominal LED Color Temperature</b>	5000 K
<b>Beam Pattern(s)</b>	Forward Lighting - Daytime Running Light Forward Lighting - Low Beam (DOT) Signalization - Front Position Signalization - Marker Signalization - Turn (Front)

## APPLICATIONS

---



## PRODUCT WARNINGS

---

For California residents:

⚠️ **WARNING:** Cancer and reproductive harm - [www.P65Warnings.ca.gov](http://www.P65Warnings.ca.gov).

⚠️ **AVERTISSEMENT:** Cancer et effet nocif sur la reproduction - [www.P65Warnings.ca.gov](http://www.P65Warnings.ca.gov).

---

**Print date: 2020-11-24**

© 2020 J.W. Speaker Corporation • Germantown, WI U.S.A.  
[www.jwspeaker.com](http://www.jwspeaker.com) • [speaker@jwspeaker.com](mailto:speaker@jwspeaker.com) • 262.251.6660

**J.W. SPEAKER®**  
*Engineered. Lighting. Solutions.*

# Peterbilt POD LED Headlights - Model 9600

## ACCESSORIES

---



**Part Number**

**8200121**

Black Mount Kit for XD Series Work Lights

## RELATED PRODUCTS

---



**Part Number**

**0556661**

12V Peterbilt LED Heated Headlight, Left-hand, Chrome Bezel (Single light)



**Part Number**

**0556671**

12V Peterbilt LED Heated Headlight, Right-hand, Chrome Bezel (Single light)



**Part Number**

**0556691**

12V Peterbilt LED Headlight, Right-hand, Chrome Bezel (Single light)