

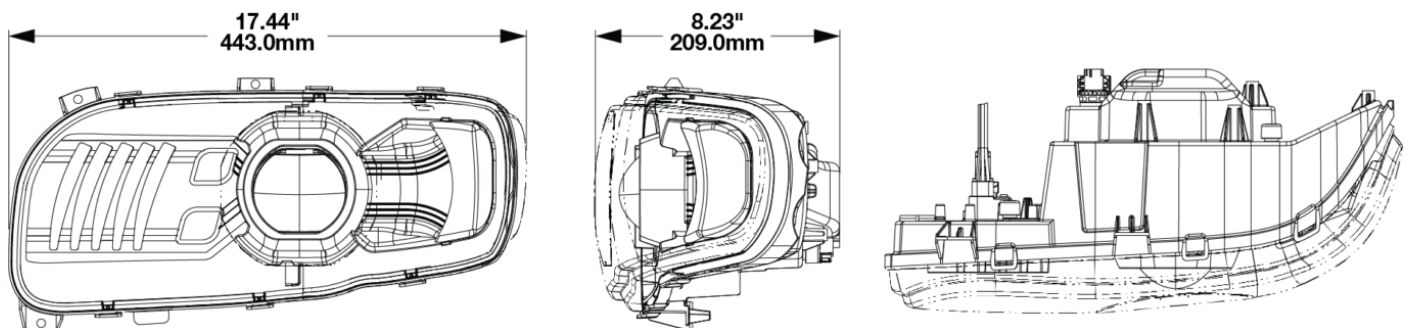
Peterbilt POD LED Headlights - Model 9600

PRODUCT INFORMATION

| | |
|--------------------------------------|---|
| Description | 12V Peterbilt LED Headlight, Left-hand, Chrome Bezel (Single light) |
| Height | 215.00 mm / 8.46 in |
| Width | 443.00 mm / 17.44 in |
| Depth | 210.00 mm / 8.27 in |
| Shape | Stylized |
| Outer Lens Material | Polycarbonate |
| Outer Lens Color | Clear |
| Housing Material | Polycarbonate |
| Housing Color | Black |
| Bezel Color | Chrome |
| Minimum Operating Temperature | -40 °C / -40 °F |
| Maximum Operating Temperature | 65 °C / 149 °F |
| Connector or Wiring | Deutsch DT04-8PA |
| Mating Connector | Deutsch DT06-8SA |
| Product Weight | 5.65 lbs / 2.56 kgs |
| Shipping Weight | 7.00 lbs / 3.18 kgs |



PRODUCT DIMENSIONS



Print date: 2024-11-10

© 2024 J.W. Speaker Corporation • Germantown, WI U.S.A.
www.jwspeaker.com • speaker@jwspeaker.com • 262.251.6660

J.W. SPEAKER
 Engineered. Lighting. Solutions.

Peterbilt POD LED Headlights - Model 9600

ELECTRICAL SPECIFICATIONS

| | |
|-----------------------------------|--|
| Input Voltage | 12V DC |
| Operating Voltage | 9-18V DC |
| Transient Spike Protection | 330V Peak @ 1 HZ-100 Pulses |
| Black Wire | Ground |
| Red Wire | (+) Rear Repeater |
| White Wire | High Beam |
| Yellow Wire | Low Beam |
| Green Wire | Turn Signal |
| Brown Wire | Side Marker |
| Current Draw | 2.1A @ 12V DC (Low Beam) 4.2A @ 12V DC (High Beam) 2.15A @ 12V DC (Turn) 0.34A @ 12V DC (Side Marker/Parking) |

REGULATORY STANDARDS COMPLIANCE



| | |
|-----------------------------|-------------------------------|
| FMVSS 108 s10.1 (Table XIX) | FMVSS 108 s10.1 (Table XVIII) |
| FMVSS 108 s7.1 (Table VI) | FMVSS 108 s7.4 (Table X) |
| FMVSS 108 s8.1 (Table XVI) | IEC IP67 |
| SAE J588 | SAE J592 |
| SAE J594 | |

Print date: 2024-11-10

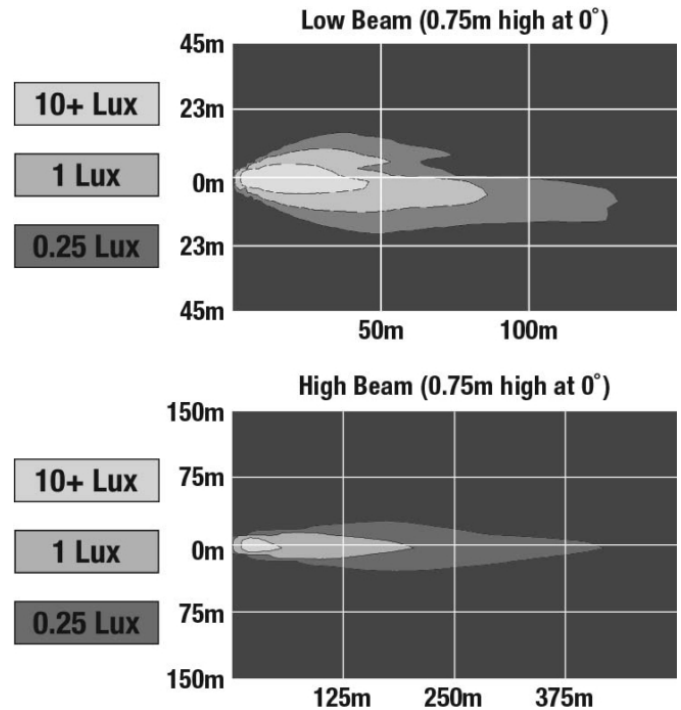
© 2024 J.W. Speaker Corporation • Germantown, WI U.S.A.
www.jwspeaker.com • speaker@jwspeaker.com • 262.251.6660

J.W. SPEAKER
Engineered. Lighting. Solutions.

Peterbilt POD LED Headlights - Model 9600

PHOTOMETRIC SPECIFICATIONS

| | |
|--------------------------------------|---|
| Raw Lumen Output | 2895 (High Beam); 1200 (Low Beam) |
| Effective Lumen Output | 1020 (High Beam); 614 (Low Beam) |
| Candela Output | 50400 (High Beam); 26690 (Low Beam) |
| Nominal LED Color Temperature | 5000 K |
| Beam Pattern(s) | Forward Lighting - Daytime Running Light Forward Lighting - Low Beam (DOT) Signalization - Front Position Signalization - Marker Signalization - Turn (Front) |



APPLICATIONS



PRODUCT WARNINGS

For California residents:

⚠ **WARNING:** Cancer and reproductive harm - www.P65Warnings.ca.gov.

⚠ **AVERTISSEMENT:** Cancer et effet nocif sur la reproduction - www.P65Warnings.ca.gov.

Print date: 2024-11-10

© 2024 J.W. Speaker Corporation • Germantown, WI U.S.A.
www.jwspeaker.com • speaker@jwspeaker.com • 262.251.6660

J.W. SPEAKER
Engineered. Lighting. Solutions.

Peterbilt POD LED Headlights - Model 9600

RELATED PRODUCTS



Part Number
0556661
12V Peterbilt LED Heated Headlight, Left-hand, Chrome Bezel (Single light)



Part Number
0556671
12V Peterbilt LED Heated Headlight, Right-hand, Chrome Bezel (Single light)



Part Number
0556691
12V Peterbilt LED Headlight, Right-hand, Chrome Bezel (Single light)



Part Number
0557141
12V DOT Peterbilt Heated LED Headlight, Left-hand, Black Bezel (Single light)



Part Number
0557151
12V DOT Peterbilt Heated LED Headlight, Right-hand, Black Bezel (Single light)



Part Number
0557161
12V Peterbilt LED Headlight, Left-hand, Black Bezel (Single light)



Part Number
0557171
12V Peterbilt LED Headlight, Right-hand, Black Bezel (Single light)