

# Oval LED Work Light - Model 7250 XD

## PRODUCT INFORMATION

<b>Description</b>	12-24V LED Work Light with Spot Beam Pattern & Pedestal Mount
<b>Height</b>	152.40 mm / 6 in
<b>Width</b>	170.18 mm / 6.7 in
<b>Depth</b>	68.58 mm / 2.7 in
<b>Shape</b>	Oval
<b>Outer Lens Material</b>	Polycarbonate
<b>Outer Lens Color</b>	Clear
<b>Housing Material</b>	Polycarbonate
<b>Housing Color</b>	Black
<b>Bezel Color</b>	N/A
<b>Mounting Hardware Description</b>	(x1) 3/8-16 x 1.5" Stainless Steel Hex Head Bolt
<b>Minimum Operating Temperature</b>	-40 °C / -40 °F
<b>Maximum Operating Temperature</b>	65 °C / 149 °F
<b>Connector or Wiring</b>	Deutsch DT04-2P
<b>Mating Connector</b>	Deutsch DT06-2S
<b>Shipping Weight</b>	2.80 lbs / 1.27 kgs



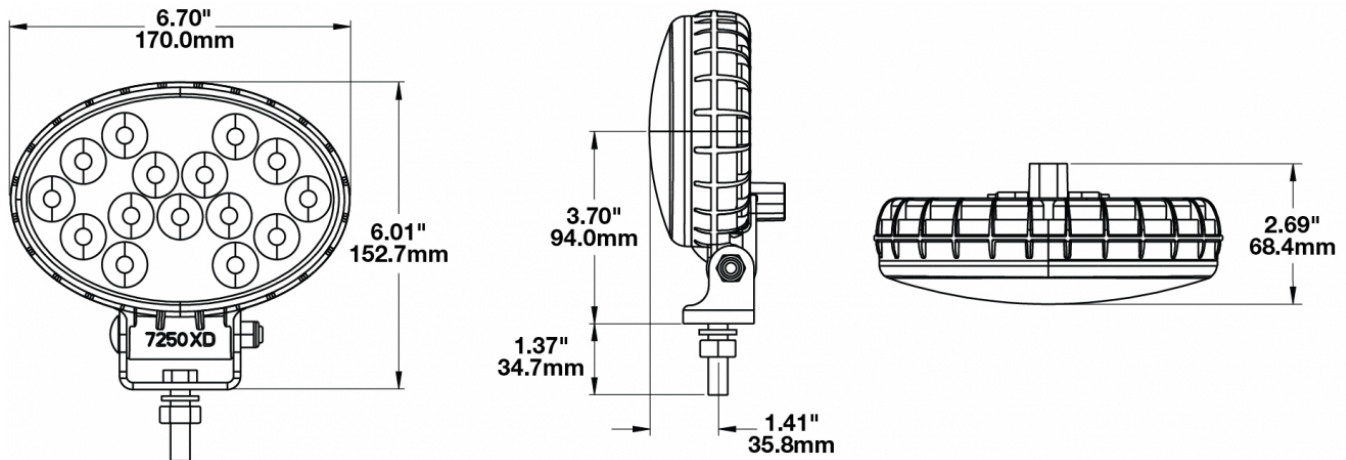
Print date: 2017-08-23

© 2017 J.W. Speaker Corporation • Germantown, WI U.S.A.  
 www.jwspeaker.com • speaker@jwspeaker.com • 262.251.6660

**J.W. SPEAKER**®  
 Engineered. Lighting. Solutions.

# Oval LED Work Light - Model 7250 XD

## PRODUCT DIMENSIONS



## ELECTRICAL SPECIFICATIONS

<b>Input Voltage</b>	12-24V DC
<b>Operating Voltage</b>	10-32V DC
<b>Black Wire</b>	Ground
<b>Red Wire</b>	Power
<b>Current Draw</b>	1.60A @ 12V DC 0.90A @ 24V DC

## REGULATORY STANDARDS COMPLIANCE



Buy America Standards  
CISPR 22  
IEC IP69K  
UL Recognized

CISPR 12  
Eco Friendly  
SAE J1113-13

**Print date: 2017-08-23**

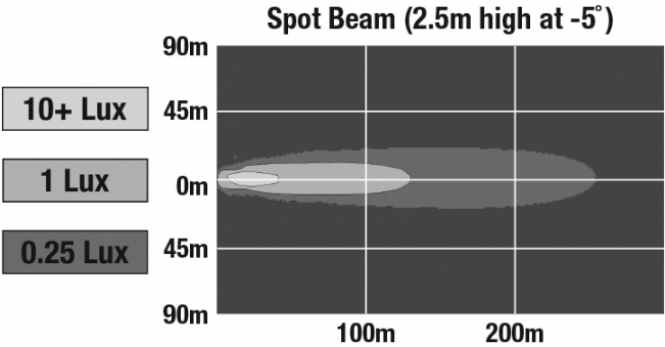
© 2017 J.W. Speaker Corporation • Germantown, WI U.S.A.  
www.jwspeaker.com • speaker@jwspeaker.com • 262.251.6660

**J.W. SPEAKER**  
Engineered. Lighting. Solutions.

# Oval LED Work Light - Model 7250 XD

## PHOTOMETRIC SPECIFICATIONS

**Raw Lumen Output** 3,150  
**Effective Lumen Output** 1,500  
**Nominal LED Color Temperature** 5000 K  
**Beam Pattern(s)** Forward Lighting - Spot



## APPLICATIONS



## RELATED PRODUCTS



**Part Number**  
**1801511**  
 12-24V LED Work Light with Trapezoid Beam Pattern & Pedestal Mount



**Part Number**  
**1801521**  
 12-24V LED Work Light with Flood Beam Pattern & Pedestal Mount

Print date: 2017-08-23

© 2017 J.W. Speaker Corporation • Germantown, WI U.S.A.  
www.jwspeaker.com • speaker@jwspeaker.com • 262.251.6660

