

# Oval LED Work Light - Model 7251 XD

## PRODUCT INFORMATION

---

<b>Description</b>	12-24V LED Work Light with Flood Beam Pattern & Panel Mount
<b>Height</b>	152.40 mm / 6 in
<b>Width</b>	170.18 mm / 6.7 in
<b>Depth</b>	68.58 mm / 2.7 in
<b>Shape</b>	Oval
<b>Outer Lens Material</b>	Polycarbonate
<b>Outer Lens Color</b>	Clear
<b>Housing Material</b>	Polycarbonate
<b>Housing Color</b>	Black
<b>Bezel Color</b>	N/A
<b>Mounting Hardware Description</b>	(x1) 3/8-16 x 1.5" Stainless Steel Hex Head Bolt
<b>Minimum Operating Temperature</b>	-40 °C / -40 °F
<b>Maximum Operating Temperature</b>	65 °C / 149 °F
<b>Connector or Wiring</b>	Deutsch DT04-2P
<b>Mating Connector</b>	Deutsch DT06-2S
<b>Shipping Weight</b>	2.50 lbs / 1.13 kgs



---

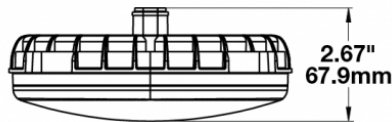
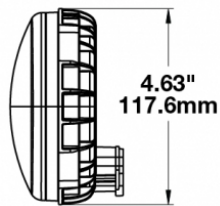
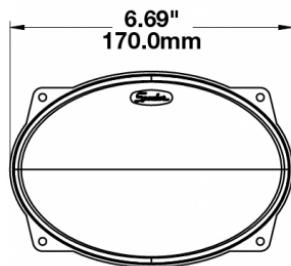
**Print date: 2018-08-18**

© 2018 J.W. Speaker Corporation • Germantown, WI U.S.A.  
www.jwspeaker.com • speaker@jwspeaker.com • 262.251.6660

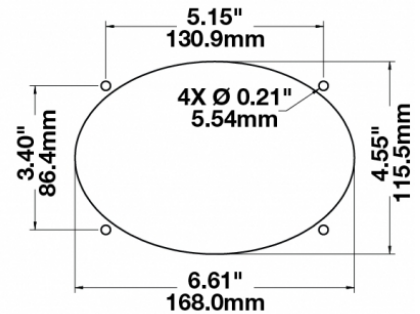
**J.W. SPEAKER**   
Engineered. Lighting. Solutions.

# Oval LED Work Light - Model 7251 XD

## PRODUCT DIMENSIONS



### PANEL MOUNTING HOLE DETAIL



## ELECTRICAL SPECIFICATIONS

<b>Input Voltage</b>	12-24V DC
<b>Operating Voltage</b>	10-32V DC
<b>Black Wire</b>	Ground
<b>Red Wire</b>	Power
<b>Current Draw</b>	1.60A @ 12V DC 0.90A @ 24V DC

## REGULATORY STANDARDS COMPLIANCE



Buy America Standards  
CISPR 22  
IEC IP69K  
UL Recognized

CISPR 12  
Eco Friendly  
SAE J1113-13

**Print date: 2018-08-18**

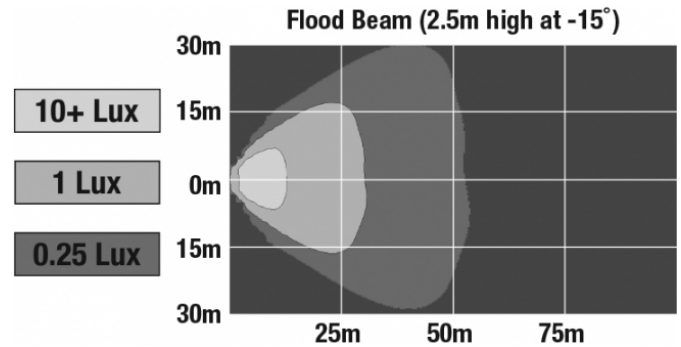
© 2018 J.W. Speaker Corporation • Germantown, WI U.S.A.  
www.jwspeaker.com • speaker@jwspeaker.com • 262.251.6660

**J.W. SPEAKER**  
Engineered. Lighting. Solutions.

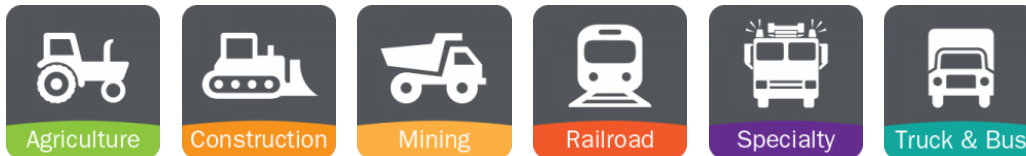
# Oval LED Work Light - Model 7251 XD

## PHOTOMETRIC SPECIFICATIONS

<b>Raw Lumen Output</b>	3,150
<b>Effective Lumen Output</b>	1,400
<b>Nominal LED Color Temperature</b>	5000 K
<b>Beam Pattern(s)</b>	Forward Lighting - Flood (Standard) Forward Lighting - Trapezoid



## APPLICATIONS



## RELATED PRODUCTS



**Part Number**  
**1801531**

12-24V LED Work Light  
with Spot Beam  
Pattern & Panel Mount

**Part Number**  
**1801541**

12-24V LED Work Light  
with Trapezoid Beam  
Pattern & Panel Mount

Print date: 2018-08-18

© 2018 J.W. Speaker Corporation • Germantown, WI U.S.A.  
www.jwspeaker.com • speaker@jwspeaker.com • 262.251.6660