

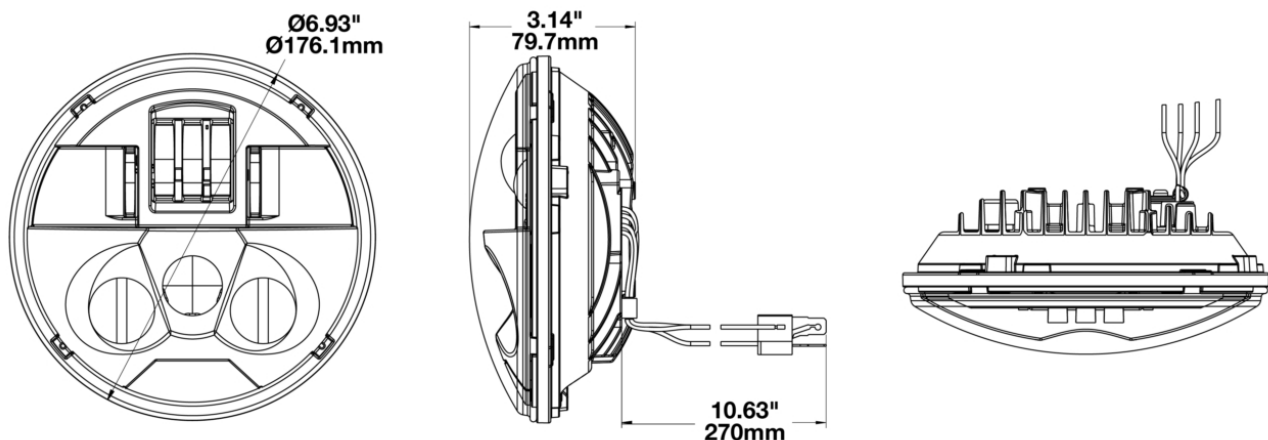
# Motorcycle LED Headlights - Model 8780

## PRODUCT INFORMATION

<b>Description</b>	12V DOT/ECE LED High & Low Beam Headlight with Chrome Inner Bezel
<b>Height</b>	176.00 mm / 6.93 in
<b>Width</b>	176.00 mm / 6.93 in
<b>Depth</b>	80.00 mm / 3.15 in
<b>Shape</b>	Round
<b>Outer Lens Material</b>	Polycarbonate
<b>Outer Lens Color</b>	Clear
<b>Housing Material</b>	Aluminum
<b>Housing Color</b>	Black
<b>Bezel Color</b>	Chrome
<b>Retrofits</b>	Bucket 7" Round Headlight (PAR56)
<b>Connector or Wiring</b>	H4
<b>Mating Connector</b>	H4 AMP#172615-2
<b>Product Weight</b>	1.95 lbs / 0.88 kgs
<b>Shipping Weight</b>	2.95 lbs / 1.34 kgs
<b>Additional Information</b>	Includes H-4 connector with 4th front position wire for ECE compliance.



## PRODUCT DIMENSIONS



Print date: 2026-05-24

© 2026 J.W. Speaker Corporation • Germantown, WI U.S.A.  
 www.jwspeaker.com • speaker@jwspeaker.com • 262.251.6660

**J.W. SPEAKER**  
 Engineered. Lighting. Solutions.

# Motorcycle LED Headlights - Model 8780

## ELECTRICAL SPECIFICATIONS

<b>Input Voltage</b>	12 V
<b>Operating Voltage</b>	9-16 V
<b>Black Wire</b>	Ground
<b>White Wire</b>	High Beam
<b>Yellow Wire</b>	Low Beam
<b>Red Wire</b>	Front Position
<b>Current Draw</b>	2.25A @ 12V (High Beam) 1.70A @ 12V (Low Beam) 0.20A @ 12V (Front Position)

## REGULATORY STANDARDS COMPLIANCE



ECE Reg 10	ECE Reg 113
ECE Reg 50	FMVSS 108 s10.1 (Table XX)
IEC IP67	SAE J584

## PHOTOMETRIC SPECIFICATIONS

<b>Raw Lumen Output</b>	3,080 (High Beam); 1,950 (Low Beam)
<b>Effective Lumen Output</b>	1,200 (High Beam); 750 (Low Beam)
<b>Candela Output</b>	62,800 (High Beam); 7,500 (Low Beam)
<b>Nominal LED Color Temperature</b>	5000 K
<b>Beam Pattern(s)</b>	Forward Lighting - High Beam (DOT/ECE) Forward Lighting - Low Beam (DOT/ECE)

Print date: 2026-05-24

© 2026 J.W. Speaker Corporation • Germantown, WI U.S.A.  
www.jwspeaker.com • speaker@jwspeaker.com • 262.251.6660

# Motorcycle LED Headlights - Model 8780

## APPLICATIONS

---



## PRODUCT WARNINGS

---

For California residents:

⚠ **WARNING:** Cancer and reproductive harm - [www.P65Warnings.ca.gov](http://www.P65Warnings.ca.gov).

⚠ **AVERTISSEMENT:** Cancer et effet nocif sur la reproduction - [www.P65Warnings.ca.gov](http://www.P65Warnings.ca.gov).

## RELATED PRODUCTS

---



**Part Number**

**0555331**

12V DOT/ECE LED

High & Low Beam

Headlight with Black

Inner Bezel

---

**Print date: 2026-05-24**

© 2026 J.W. Speaker Corporation • Germantown, WI U.S.A.

[www.jwspeaker.com](http://www.jwspeaker.com) • [speaker@jwspeaker.com](mailto:speaker@jwspeaker.com) • 262.251.6660