

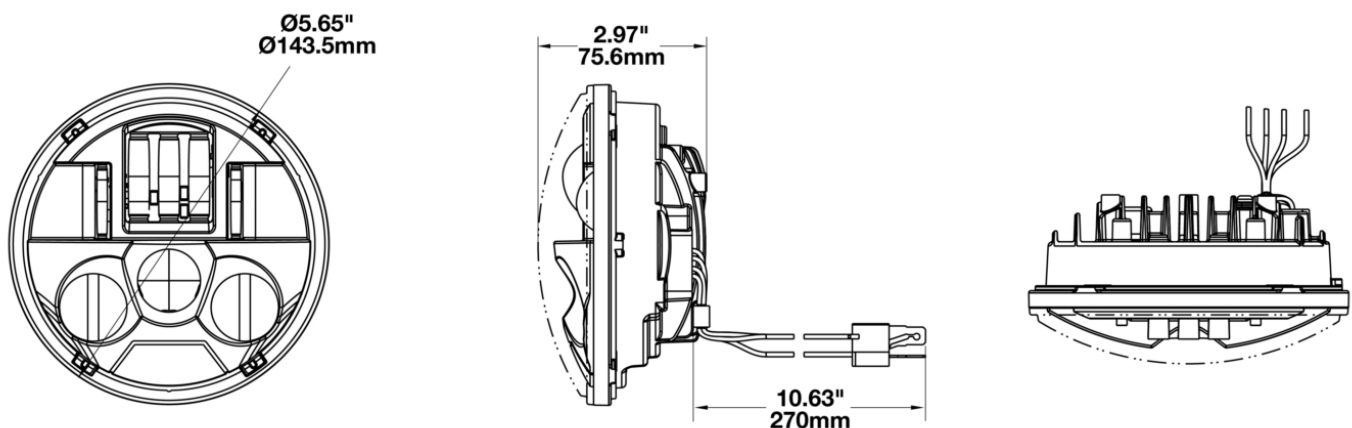
Motorcycle LED Headlights - Model 8680

PRODUCT INFORMATION

Description	12V DOT/ECE High & Low Beam Headlight with Black Inner Bezel
Height	143.50 mm / 5.65 in
Width	143.50 mm / 5.65 in
Depth	75.60 mm / 2.98 in
Shape	Round
Outer Lens Material	Polycarbonate
Outer Lens Color	Clear
Housing Material	Aluminum
Housing Color	Black
Bezel Color	Black
Retrofits	Bucket 5.75" Round Headlights (PAR46)
Connector or Wiring	H4
Mating Connector	H4 AMP#172515-2
Product Weight	1.55 lbs / 0.7 kgs
Shipping Weight	2.55 lbs / 1.16 kgs
Additional Information	Includes H-4 connector with 4th front position wire for ECE compliance.



PRODUCT DIMENSIONS



Print date: 2026-06-27

© 2026 J.W. Speaker Corporation • Germantown, WI U.S.A.
 www.jwspeaker.com • speaker@jwspeaker.com • 262.251.6660

J.W. SPEAKER
 Engineered. Lighting. Solutions.

Motorcycle LED Headlights - Model 8680

ELECTRICAL SPECIFICATIONS

Input Voltage	12 V
Operating Voltage	9-16 V
Black Wire	Ground
White Wire	Low Beam
Yellow Wire	Low Beam
Red Wire	Front Position
Current Draw	2.29A @ 12V (Low Beam) 1.77A @ 12V (Low Beam) .21A @ 12V (Front Position)

REGULATORY STANDARDS COMPLIANCE



ECE Reg 10	ECE Reg 113
ECE Reg 50	FMVSS 108 s10.1 (Table XX)
IEC IP67	SAE J584

PHOTOMETRIC SPECIFICATIONS

Raw Lumen Output	3,080 (High Beam); 1,950 (Low Beam)
Effective Lumen Output	1,200 (High Beam); 750 (Low Beam)
Candela Output	62,800 (High Beam); 7,500 (Low Beam)
Nominal LED Color Temperature	5000 K
Beam Pattern(s)	Forward Lighting - High Beam (DOT/ECE) Forward Lighting - Low Beam (DOT/ECE)

Print date: 2026-06-27

© 2026 J.W. Speaker Corporation • Germantown, WI U.S.A.
www.jwspeaker.com • speaker@jwspeaker.com • 262.251.6660

Motorcycle LED Headlights - Model 8680

PRODUCT WARNINGS

For California residents:

⚠ **WARNING:** Cancer and reproductive harm - www.P65Warnings.ca.gov.

⚠ **AVERTISSEMENT:** Cancer et effet nocif sur la reproduction - www.P65Warnings.ca.gov.

RELATED PRODUCTS



Part Number

0555301

12V DOT/ECE High &
Low Beam Headlight
with Chrome Inner
Bezel

Print date: 2026-06-27

© 2026 J.W. Speaker Corporation • Germantown, WI U.S.A.
www.jwspeaker.com • speaker@jwspeaker.com • 262.251.6660

J.W. SPEAKER 
Engineered. Lighting. Solutions.