

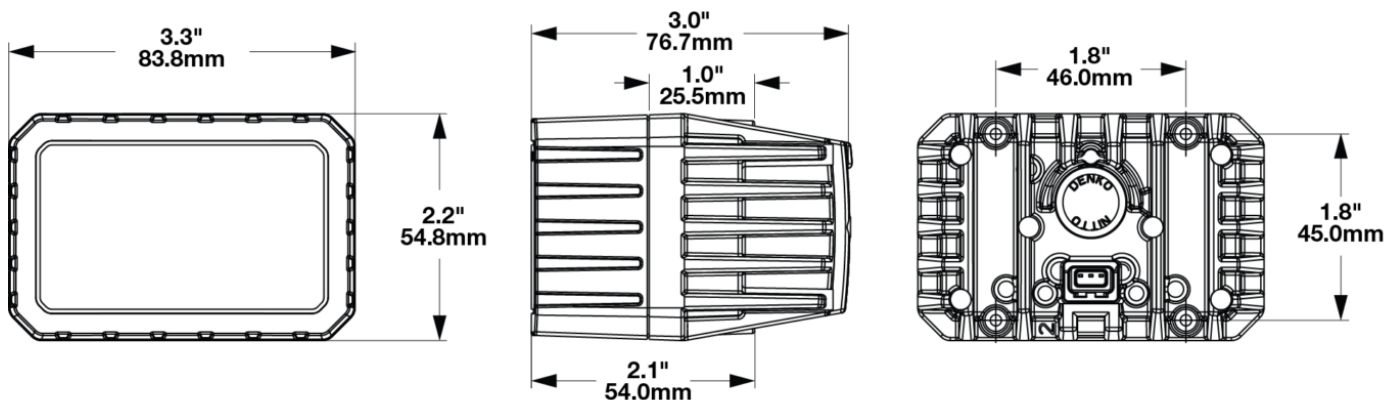
# LED Mosaic Modular Lighting System - Model 92

## PRODUCT INFORMATION

<b>Description</b>	24V LED ECE Symmetric Low Beam Headlight
<b>Height</b>	54.80 mm / 2.16 in
<b>Width</b>	83.80 mm / 3.3 in
<b>Depth</b>	76.70 mm / 3.02 in
<b>Shape</b>	Rectangular
<b>Outer Lens Material</b>	Polycarbonate
<b>Outer Lens Color</b>	Clear
<b>Housing Material</b>	Die-Cast Aluminum
<b>Housing Color</b>	Black
<b>Bezel Color</b>	N/A
<b>Minimum Operating Temperature</b>	-40 °C / -40 °F
<b>Maximum Operating Temperature</b>	65 °C / 149 °F
<b>Mating Connector</b>	JAE MX19A003S51 2 Pos
<b>Product Weight</b>	0.60 lbs / 0.27 kgs



## PRODUCT DIMENSIONS



Print date: 2024-11-10

© 2024 J.W. Speaker Corporation • Germantown, WI U.S.A.  
 www.jwspeaker.com • speaker@jwspeaker.com • 262.251.6660

**J.W. SPEAKER**  
 Engineered. Lighting. Solutions.

# LED Mosaic Modular Lighting System - Model 92

## ELECTRICAL SPECIFICATIONS

<b>Input Voltage</b>	24V DC
<b>Operating Voltage</b>	18-30V DC
<b>Red Wire</b>	Power
<b>Black Wire</b>	Ground
<b>Current Draw</b>	0.66A @ 24V DC (Power)

## REGULATORY STANDARDS COMPLIANCE

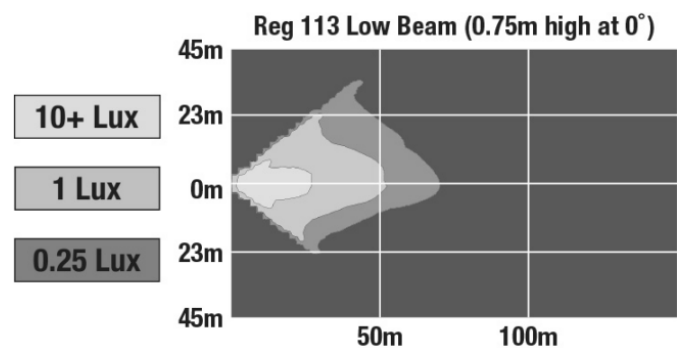


ASABE S608  
IEC IP67  
SAE J1623

ECE Reg 149 - WC-DS  
IEC IP69K

## PHOTOMETRIC SPECIFICATIONS

<b>Raw Lumen Output</b>	2080 Low Beam
<b>Effective Lumen Output</b>	725 Low Beam
<b>Candela Output</b>	10200 Low Beam
<b>Nominal LED Color Temperature</b>	5700 K
<b>Beam Pattern(s)</b>	Forward Lighting - Low Beam (DOT/ECE)



Print date: 2024-11-10

© 2024 J.W. Speaker Corporation • Germantown, WI U.S.A.  
www.jwspeaker.com • speaker@jwspeaker.com • 262.251.6660

# LED Mosaic Modular Lighting System - Model 92

## APPLICATIONS

---



## INSTALLATION & APPLICATION INFORMATION

---

European low beam light.

## PRODUCT WARNINGS

---

For California residents:

⚠ **WARNING:** Cancer and reproductive harm - [www.P65Warnings.ca.gov](http://www.P65Warnings.ca.gov).

⚠ **AVERTISSEMENT:** Cancer et effet nocif sur la reproduction - [www.P65Warnings.ca.gov](http://www.P65Warnings.ca.gov).

## ACCESSORIES

---



**Part Number**  
**8200831**  
Mounting Hardware Kit  
for Mosaic



**Part Number**  
**8201031**  
Pedestal Mount Kit for  
Mosaic



**Part Number**  
**8201041**  
Tall Mounting  
Hardware Kit for  
Mosaic

---

**Print date: 2024-11-10**

© 2024 J.W. Speaker Corporation • Germantown, WI U.S.A.  
[www.jwspeaker.com](http://www.jwspeaker.com) • [speaker@jwspeaker.com](mailto:speaker@jwspeaker.com) • 262.251.6660

# LED Mosaic Modular Lighting System - Model 92

## RELATED PRODUCTS

---



**Part Number**  
**0347971**  
12-24V LED DOT/ECE  
DI & DRL Light



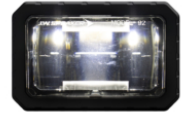
**Part Number**  
**0347972**  
12-24V LED DOT/ECE  
DI & DRL Light (Bulk)



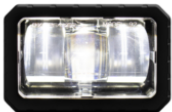
**Part Number**  
**0556821**  
12V LED SAE/ECE Fog  
Light



**Part Number**  
**0556831**  
12V LED SAE High  
Beam & DRL Headlight



**Part Number**  
**0556832**  
12V LED SAE High  
Beam & DRL Headlight  
(Bulk)



**Part Number**  
**0557941**  
12V LED SAE/ECE  
Cornering Light



**Part Number**  
**0557942**  
12V LED SAE/ECE  
Cornering Light (Bulk)



**Part Number**  
**0558321**  
12V LED SAE/ECE  
Symmetric Low Beam  
Headlight