

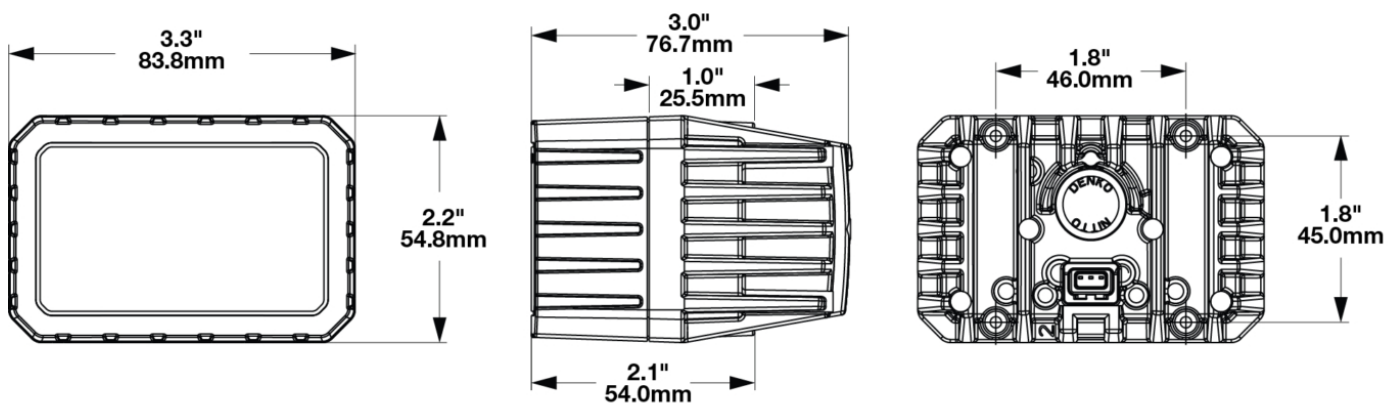
LED Mosaic Modular Lighting System - Model 92

PRODUCT INFORMATION

Description	12V LED SAE/ECE Symmetric Low Beam Headlight (Bulk)
Height	54.80 mm / 2.16 in
Width	83.80 mm / 3.3 in
Depth	76.70 mm / 3.02 in
Shape	Rectangular
Outer Lens Material	Polycarbonate
Outer Lens Color	Clear
Housing Material	Die-Cast Aluminum
Housing Color	Black
Bezel Color	N/A
Minimum Operating Temperature	-40 °C / -40 °F
Maximum Operating Temperature	65 °C / 149 °F
Mating Connector	JAE MX19A003S51 3 Pos
Product Weight	0.60 lbs / 0.27 kgs
Shipping Weight	18.00 lbs / 8.16 kgs



PRODUCT DIMENSIONS



Print date: 2024-11-10

© 2024 J.W. Speaker Corporation • Germantown, WI U.S.A.
www.jwspeaker.com • speaker@jwspeaker.com • 262.251.6660

LED Mosaic Modular Lighting System - Model 92

ELECTRICAL SPECIFICATIONS

Input Voltage	12V DC
Operating Voltage	10-16V DC
Transient Spike Protection	150V Peak @ 1 HZ-100 Pulses
RED Wire	LOW BEAM
BLACK Wire	GROUND
Current Draw	1.5A @ 12V DC (LOW BEAM)

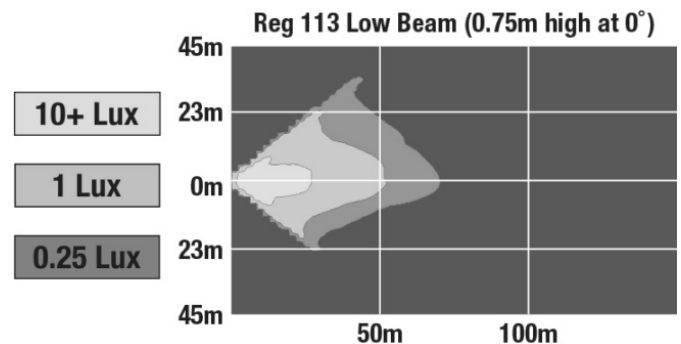
REGULATORY STANDARDS COMPLIANCE



ASABE S608	ECE Reg 149 - WC-DS
FMVSS 108 s10.1 (Table XX)	IEC IP67
IEC IP69K	SAE J1623

PHOTOMETRIC SPECIFICATIONS

Raw Lumen Output	2080(Low BEAM)
Effective Lumen Output	725(Low BEAM)
Candela Output	10200
Nominal LED Color Temperature	5700 K
Beam Pattern(s)	Forward Lighting - Low Beam (DOT/ECE)



INSTALLATION & APPLICATION INFORMATION

North America motorcycle low beam.
 European motorcycle low beam.
 Work light.

Print date: 2024-11-10

© 2024 J.W. Speaker Corporation • Germantown, WI U.S.A.
 www.jwspeaker.com • speaker@jwspeaker.com • 262.251.6660

J.W. SPEAKER
 Engineered. Lighting. Solutions.

LED Mosaic Modular Lighting System - Model 92

PRODUCT WARNINGS

For California residents:

⚠ **WARNING:** Cancer and reproductive harm - www.P65Warnings.ca.gov.

⚠ **AVERTISSEMENT:** Cancer et effet nocif sur la reproduction - www.P65Warnings.ca.gov.

ACCESSORIES



Part Number
8200831

Mounting Hardware Kit
for Mosaic



Part Number
8201031

Pedestal Mount Kit for
Mosaic



Part Number
8201041

Tall Mounting
Hardware Kit for
Mosaic

LED Mosaic Modular Lighting System - Model 92

RELATED PRODUCTS



Part Number
0347971
12-24V LED DOT/ECE
DI & DRL Light



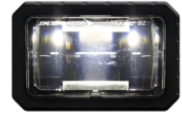
Part Number
0347972
12-24V LED DOT/ECE
DI & DRL Light (Bulk)



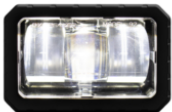
Part Number
0556821
12V LED SAE/ECE Fog
Light



Part Number
0556831
12V LED SAE High
Beam & DRL Headlight



Part Number
0556832
12V LED SAE High
Beam & DRL Headlight
(Bulk)



Part Number
0557941
12V LED SAE/ECE
Cornering Light



Part Number
0557942
12V LED SAE/ECE
Cornering Light (Bulk)



Part Number
0558321
12V LED SAE/ECE
Symmetric Low Beam
Headlight