

LED Mosaic Modular Lighting System - Model 92

PRODUCT INFORMATION

Description	24V LED High Beam & Front Position - 2 Light Kit with Mount & Wire Harness
Height	54.80 mm / 2.16 in
Width	83.80 mm / 3.3 in
Depth	76.70 mm / 3.02 in
Shape	Rectangular
Outer Lens Material	Polycarbonate
Outer Lens Color	Clear
Housing Material	Die-Cast Aluminum
Housing Color	Black
Bezel Color	N/A
Minimum Operating Temperature	-40 °C / -40 °F
Maximum Operating Temperature	65 °C / 149 °F
Mating Connector	JAE MX19A003S51 3 POS
Product Weight	0.55 lbs / 0.25 kgs
Shipping Weight	2.14 lbs / 0.97 kgs



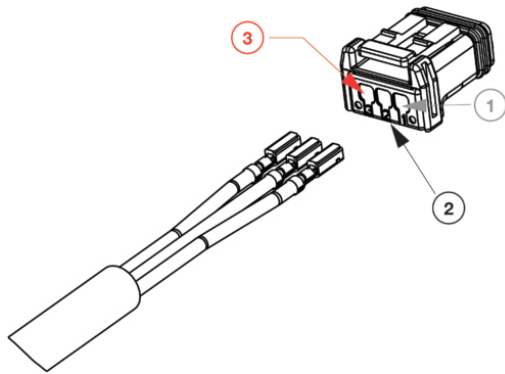
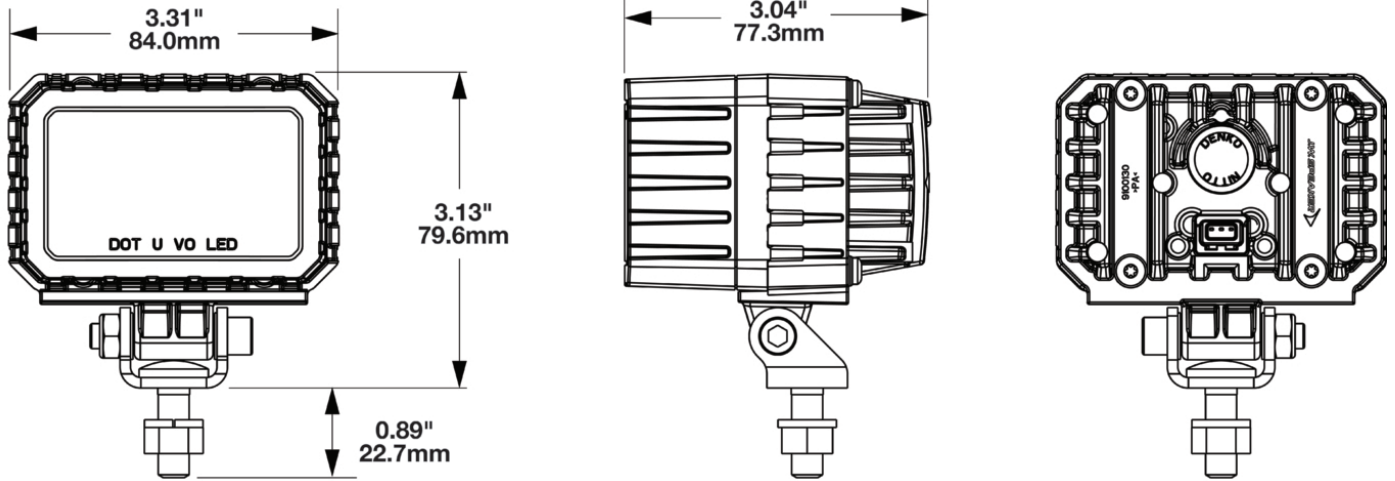
Print date: 2026-06-05

© 2026 J.W. Speaker Corporation • Germantown, WI U.S.A.
www.jwspeaker.com • speaker@jwspeaker.com • 262.251.6660

J.W. SPEAKER 
Engineered. Lighting. Solutions.

LED Mosaic Modular Lighting System - Model 92

PRODUCT DIMENSIONS



HIGH BEAM & FRONT POSITION

PIN	FUNCTION	COLOR
PIN 1	HIGH BEAM	WHITE
PIN 2	GROUND	BLACK
PIN 3	FRONT POSITION	RED

ELECTRICAL SPECIFICATIONS

Input Voltage	24V DC
Operating Voltage	18-36V DC
WHITE Wire	HIGH BEAM
BLACK Wire	GROUND
RED Wire	FRONT POSITION
Current Draw	0.70A @ 24V DC (HIGH BEAM) 0.09A @ 24V DC (FRONT POSITION)

Print date: 2026-06-05

© 2026 J.W. Speaker Corporation • Germantown, WI U.S.A.
www.jwspeaker.com • speaker@jwspeaker.com • 262.251.6660

LED Mosaic Modular Lighting System - Model 92

REGULATORY STANDARDS COMPLIANCE

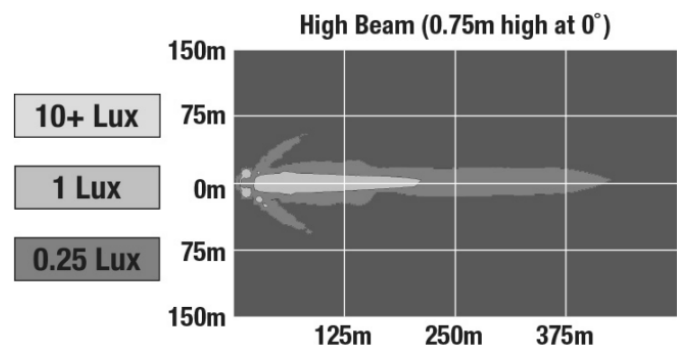


ECE Reg 148 - A
IEC IP67

ECE Reg 149 - HR
IEC IP69K

PHOTOMETRIC SPECIFICATIONS

Raw Lumen Output	1650
Effective Lumen Output	360
Candela Output	50000
Nominal LED Color Temperature	5700 K
Beam Pattern(s)	Forward Lighting - High Beam (ECE)



ADDITIONAL INFORMATION

KIT INCLUDES:

0560121 - Model 92, 24V High Beam Lamp (QTY 2)
 3200531 - Wire Harness, 2.5M JAE 3-pin (QTY 2)
 8201031 - Single Pedestal Mount Bracket (QTY 2)
 (PLEASE NOTE: Kit components are NOT assembled, but provided in a bag)

PRODUCT WARNINGS

For California residents:

⚠ **WARNING:** Cancer and reproductive harm - www.P65Warnings.ca.gov.

⚠ **AVERTISSEMENT:** Cancer et effet nocif sur la reproduction - www.P65Warnings.ca.gov.

Print date: 2026-06-05

© 2026 J.W. Speaker Corporation • Germantown, WI U.S.A.
www.jwspeaker.com • speaker@jwspeaker.com • 262.251.6660

LED Mosaic Modular Lighting System - Model 92

ACCESSORIES



Part Number
3200531
Wire Harness, 2.5M
JAE 3-pin



Part Number
8200831
Mounting Hardware Kit
for Mosaic



Part Number
8201031
Single Pedestal Mount
Kit for Mosaic



Part Number
8201041
Tall Mounting
Hardware Kit for
Mosaic



Part Number
8201191
Dual Pedestal Mount
Kit for Mosaic

RELATED PRODUCTS



Part Number
0347971
12-24V LED DOT/ECE
DI & DRL Light



Part Number
0530293
12V LED Fog Light - 2
Light Kit with Mount &
Wire Harness



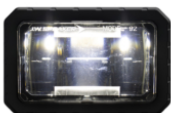
Part Number
0530303
24V LED Fog Light - 2
Light Kit with Mount &
Wire Harness



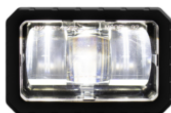
Part Number
0530993
12V LED High Beam &
Front Position - 2 Light
Kit with Mount & Wire
Harness



Part Number
0556821
12V LED SAE/ECE Fog
Light



Part Number
0556831
12V LED SAE High
Beam & DRL Headlight



Part Number
0557941
12V LED SAE/ECE
Cornering Light



Part Number
0558321
12V LED SAE/ECE
Symmetric Low Beam
Headlight