

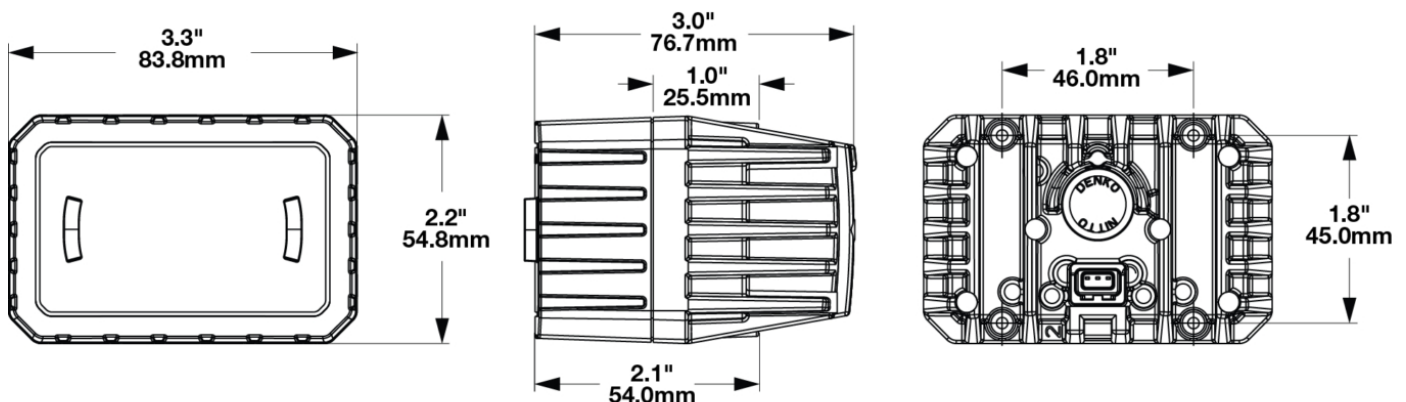
LED Mosaic Modular Lighting System - Model 92

PRODUCT INFORMATION

Description	12-24V LED DOT/ECE DI & DRL Light (Bulk)
Height	54.80 mm / 2.16 in
Width	83.80 mm / 3.3 in
Depth	76.60 mm / 3.02 in
Shape	Rectangular
Outer Lens Material	Polycarbonate
Outer Lens Color	Clear
Housing Material	Die-Cast Aluminum
Housing Color	Black
Bezel Color	N/A
Minimum Operating Temperature	-40 °C / -40 °F
Maximum Operating Temperature	65 °C / 149 °F
Mating Connector	JAE MX19A003S51 3 Pos
Product Weight	0.55 lbs / 0.25 kgs
Shipping Weight	14.34 lbs / 6.5 kgs



PRODUCT DIMENSIONS



Print date: 2024-11-09

© 2024 J.W. Speaker Corporation • Germantown, WI U.S.A.
www.jwspeaker.com • speaker@jwspeaker.com • 262.251.6660

LED Mosaic Modular Lighting System - Model 92

ELECTRICAL SPECIFICATIONS

Input Voltage	12/24V DC
Operating Voltage	9-30V DC
White Wire	DRL
Red Wire	DI/Turn
Black Wire	Ground
Current Draw	0.33A @ 12V DC (DRL) 0.53A @ 12V DC (DI/Turn) 0.17A @ 24V DC (DRL) 0.27A @ 24V DC (DI/Turn)

REGULATORY STANDARDS COMPLIANCE



ECE Reg 148 - 1b	ECE Reg 148 - RL
FMVSS 108 s7.1 (Table XIII)	FMVSS 108 s7.10
IEC IP67	IEC IP69K
SAE J2087	

PHOTOMETRIC SPECIFICATIONS

Nominal LED Color Temperature	5700 K
Beam Pattern(s)	Forward Lighting - Daytime Running Light

APPLICATIONS



Print date: 2024-11-09

© 2024 J.W. Speaker Corporation • Germantown, WI U.S.A.
www.jwspeaker.com • speaker@jwspeaker.com • 262.251.6660

J.W. SPEAKER
Engineered. Lighting. Solutions.

LED Mosaic Modular Lighting System - Model 92

INSTALLATION & APPLICATION INFORMATION

Use only for European ECE Turn and DRL light and North American Turn and DRL light.
Not compliant with vehicles 2032mm or wider in North America.

PRODUCT WARNINGS

For California residents:

⚠ **WARNING:** Cancer and reproductive harm - www.P65Warnings.ca.gov.

⚠ **AVERTISSEMENT:** Cancer et effet nocif sur la reproduction - www.P65Warnings.ca.gov.

ACCESSORIES



Part Number
8200831
Mounting Hardware Kit
for Mosaic



Part Number
8201031
Pedestal Mount Kit for
Mosaic



Part Number
8201041
Tall Mounting
Hardware Kit for
Mosaic

LED Mosaic Modular Lighting System - Model 92

RELATED PRODUCTS



Part Number
0347971
12-24V LED DOT/ECE
DI & DRL Light



Part Number
0556821
12V LED SAE/ECE Fog
Light



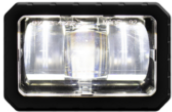
Part Number
0556831
12V LED SAE High
Beam & DRL Headlight



Part Number
0556832
12V LED SAE High
Beam & DRL Headlight
(Bulk)



Part Number
0557941
12V LED SAE/ECE
Cornering Light



Part Number
0557942
12V LED SAE/ECE
Cornering Light (Bulk)



Part Number
0558321
12V LED SAE/ECE
Symmetric Low Beam
Headlight



Part Number
0558322
12V LED SAE/ECE
Symmetric Low Beam
Headlight (Bulk)