

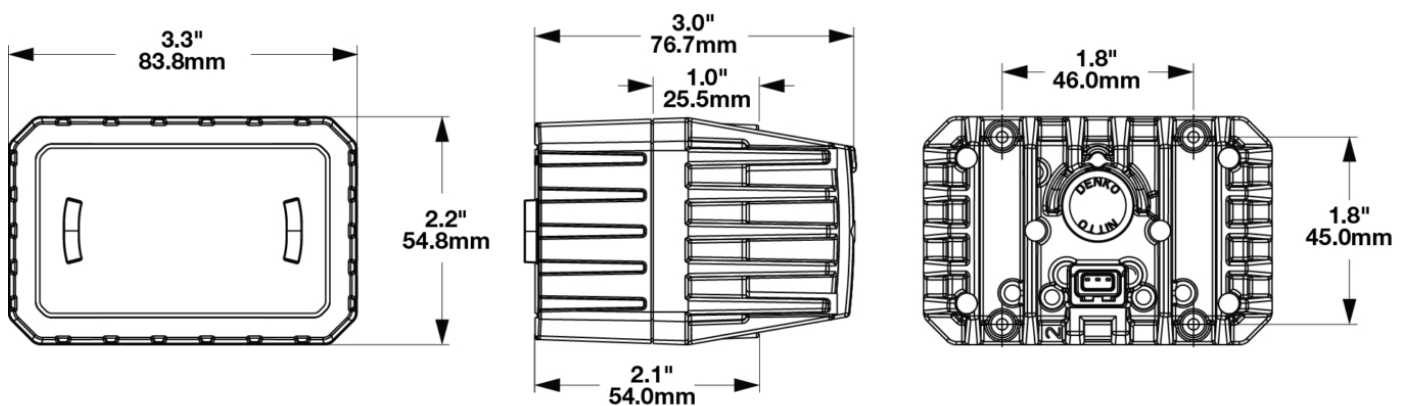
# LED Mosaic Modular Lighting System - Model 92

## PRODUCT INFORMATION

<b>Description</b>	12-24V LED DOT/ECE DI & DRL Light
<b>Height</b>	54.80 mm / 2.16 in
<b>Width</b>	83.80 mm / 3.3 in
<b>Depth</b>	76.60 mm / 3.02 in
<b>Shape</b>	Rectangular
<b>Outer Lens Material</b>	Polycarbonate
<b>Outer Lens Color</b>	Clear
<b>Housing Material</b>	Die-Cast Aluminum
<b>Housing Color</b>	Black
<b>Bezel Color</b>	N/A
<b>Minimum Operating Temperature</b>	-40 °C / -40 °F
<b>Maximum Operating Temperature</b>	65 °C / 149 °F
<b>Mating Connector</b>	JAE MX19A003S51 3 Pos
<b>Product Weight</b>	0.55 lbs / 0.25 kgs
<b>Shipping Weight</b>	9.39 lbs / 4.26 kgs



## PRODUCT DIMENSIONS



Print date: 2026-06-12

© 2026 J.W. Speaker Corporation • Germantown, WI U.S.A.  
[www.jwspeaker.com](http://www.jwspeaker.com) • [speaker@jwspeaker.com](mailto:speaker@jwspeaker.com) • 262.251.6660

**J.W. SPEAKER**  
 Engineered. Lighting. Solutions.

# LED Mosaic Modular Lighting System - Model 92

## ELECTRICAL SPECIFICATIONS

<b>Input Voltage</b>	12/24V DC
<b>Operating Voltage</b>	9-30V DC
<b>Transient Spike Protection</b>	150V Peak @ 1 HZ-100 Pulses
<b>WHITE Wire</b>	DRL
<b>RED Wire</b>	DI/TURN
<b>BLACK Wire</b>	GROUND
<b>Current Draw</b>	0.33A @ 12V DC (DRL) 0.53A @ 12V DC (DI/TURN) 0.17A @ 24V DC (DRL) 0.27A @ 24V DC (DI/TURN)

## REGULATORY STANDARDS COMPLIANCE



ECE Reg 148 - 1b	ECE Reg 148 - RL
FMVSS 108 s7.1 (Table VI)	FMVSS 108 s7.10
IEC IP67	IEC IP69K
SAE J2087	

## PHOTOMETRIC SPECIFICATIONS

<b>Nominal LED Color Temperature</b>	5700 K
<b>Beam Pattern(s)</b>	Forward Lighting - Daytime Running Light

Print date: 2026-06-12

© 2026 J.W. Speaker Corporation • Germantown, WI U.S.A.  
www.jwspeaker.com • speaker@jwspeaker.com • 262.251.6660

# LED Mosaic Modular Lighting System - Model 92

## APPLICATIONS



## INSTALLATION & APPLICATION INFORMATION

Use only for European ECE Turn and DRL light and North American Turn and DRL light.  
Not compliant with vehicles 2032mm or wider in North America.

## PRODUCT WARNINGS

For California residents:

⚠ **WARNING:** Cancer and reproductive harm - [www.P65Warnings.ca.gov](http://www.P65Warnings.ca.gov).

⚠ **AVERTISSEMENT:** Cancer et effet nocif sur la reproduction - [www.P65Warnings.ca.gov](http://www.P65Warnings.ca.gov).

## ACCESSORIES



**Part Number**  
**3200531**  
Wire Harness, 2.5M  
JAE 3-pin



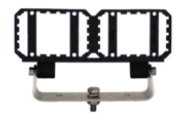
**Part Number**  
**8200831**  
Mounting Hardware Kit  
for Mosaic



**Part Number**  
**8201031**  
Single Pedestal Mount  
Kit for Mosaic



**Part Number**  
**8201041**  
Tall Mounting  
Hardware Kit for  
Mosaic



**Part Number**  
**8201191**  
Dual Pedestal Mount  
Kit for Mosaic

# LED Mosaic Modular Lighting System - Model 92

## RELATED PRODUCTS

---



**Part Number**  
**0530293**  
12V LED Fog Light - 2  
Light Kit with Mount &  
Wire Harness



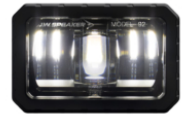
**Part Number**  
**0530303**  
24V LED Fog Light - 2  
Light Kit with Mount &  
Wire Harness



**Part Number**  
**0530313**  
24V LED High Beam &  
Front Position - 2 Light  
Kit with Mount & Wire  
Harness



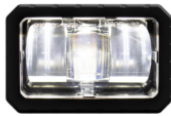
**Part Number**  
**0530993**  
12V LED High Beam &  
Front Position - 2 Light  
Kit with Mount & Wire  
Harness



**Part Number**  
**0556821**  
12V LED SAE/ECE Fog  
Light



**Part Number**  
**0556831**  
12V LED SAE High  
Beam & DRL Headlight



**Part Number**  
**0557941**  
12V LED SAE/ECE  
Cornering Light



**Part Number**  
**0558321**  
12V LED SAE/ECE  
Symmetric Low Beam  
Headlight