

# Trail 6 Amber/White - Round LED Work Light

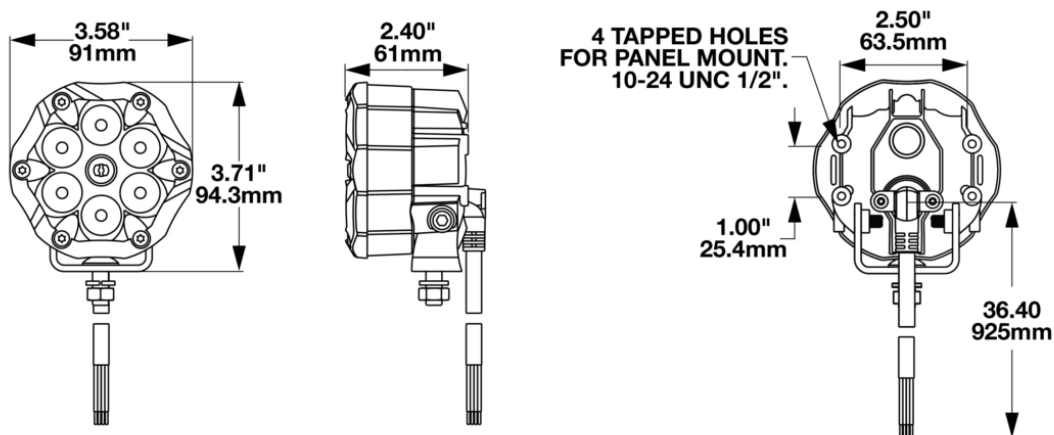
## PRODUCT INFORMATION

<b>Description</b>	Trail 6 Amber/White LED Work Light
<b>Height</b>	94.00 mm / 3.7 in
<b>Width</b>	91.00 mm / 3.58 in
<b>Depth</b>	61.30 mm / 2.41 in
<b>Shape</b>	Round
<b>Outer Lens Material</b>	polycarbonate
<b>Outer Lens Color</b>	Clear
<b>Housing Material</b>	Aluminum
<b>Housing Color</b>	Black
<b>Bezel Color</b>	Black
<b>Mounting Hardware Description</b>	(x1) 8-1.25 x 20 Stainless Steel
<b>Mounting Type</b>	Pedestal/Panel
<b>Minimum Operating Temperature</b>	40 °C / 104 °F
<b>Maximum Operating Temperature</b>	65 °C / 149 °F
<b>Connector or Wiring</b>	3' cable with integrated connector
<b>Product Weight</b>	2.00 lbs / 0.91 kgs
<b>Shipping Weight</b>	2.85 lbs / 1.29 kgs



**TRAIL 6** AMBER/WHITE.

## PRODUCT DIMENSIONS



Print date: 2020-07-14

© 2020 J.W. Speaker Corporation • Germantown, WI U.S.A.  
www.jwspeaker.com • speaker@jwspeaker.com • 262.251.6660

**J.W. SPEAKER**  
Engineered. Lighting. Solutions.

# Trail 6 Amber/White - Round LED Work Light

## ELECTRICAL SPECIFICATIONS

---

<b>Input Voltage</b>	12-24V DC
<b>Operating Voltage</b>	9-32V DC
<b>Transient Spike Protection</b>	150V Peak @ 1 HZ-100 Pulses
<b>Black Wire</b>	Ground
<b>Red Wire</b>	Toggle
<b>White Wire</b>	White
<b>Yellow Wire</b>	Amber
<b>Current Draw</b>	2.09A @ 12V DC (Amber/white) 0.90A @ 24V DC (Amber/White)

## REGULATORY STANDARDS COMPLIANCE

---



IEC IP67

IEC IP69K

---

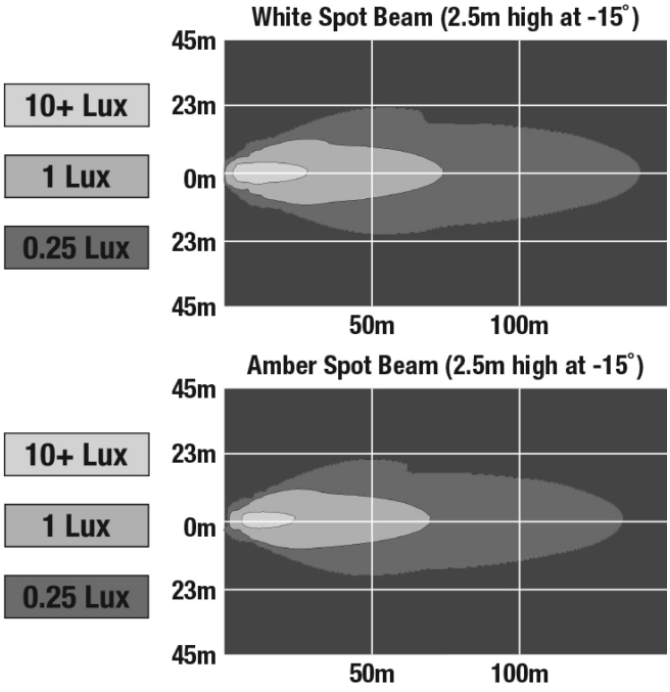
**Print date: 2020-07-14**

© 2020 J.W. Speaker Corporation • Germantown, WI U.S.A.  
www.jwspeaker.com • speaker@jwspeaker.com • 262.251.6660

# Trail 6 Amber/White - Round LED Work Light

## PHOTOMETRIC SPECIFICATIONS

<b>Raw Lumen Output</b>	1800
<b>Effective Lumen Output</b>	1326
<b>Candela Output</b>	20200
<b>Beam Pattern(s)</b>	Forward Lighting - Flood (Wide) Forward Lighting - Spot Anti-Glare



## APPLICATIONS



## PRODUCT WARNINGS

For California residents:  
 ⚠ **WARNING:** Cancer and reproductive harm - [www.P65Warnings.ca.gov](http://www.P65Warnings.ca.gov).  
 ⚠ **AVERTISSEMENT:** Cancer et effet nocif sur la reproduction - [www.P65Warnings.ca.gov](http://www.P65Warnings.ca.gov).

