

Model Bobcat LED Headlight

PRODUCT INFORMATION

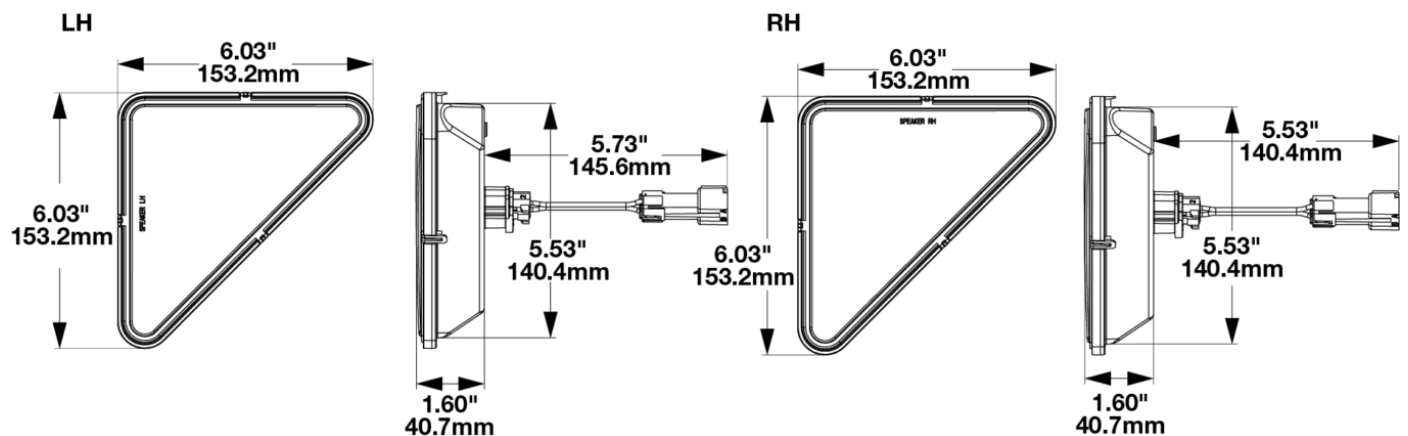
Description	12/24V Bobcat LH & RH LED Headlight - 2 Light Kit
Height	140.10 mm / 5.52 in
Width	153.16 mm / 6.03 in
Depth	40.68 mm / 1.6 in
Outer Lens Material	Polycarbonate
Outer Lens Color	Clear
Housing Material	Polycarbonate
Housing Color	Black
Bezel Color	Clear
Minimum Operating Temperature	-40 °C / -40 °F
Maximum Operating Temperature	65 °C / 149 °F
Connector or Wiring	Integrated 2-Pin Deutsch Weather-Proof Socket (DT04-2P)
Mating Connector	Connector Metri PE12059450-B BLACK 2-pin
Product Weight	1.62 lbs / 0.73 kgs
Shipping Weight	0.25 lbs / 0.11 kgs



BOBCAT RIGHT HAND HEADLIGHT

BOBCAT LEFT HAND HEADLIGHT

PRODUCT DIMENSIONS



Print date: 2026-06-28

© 2026 J.W. Speaker Corporation • Germantown, WI U.S.A.
 www.jwspeaker.com • speaker@jwspeaker.com • 262.251.6660

J.W. SPEAKER
 Engineered. Lighting. Solutions.

Model Bobcat LED Headlight

ELECTRICAL SPECIFICATIONS

Input Voltage	12-24V DC
Operating Voltage	9-32V DC
Transient Spike Protection	330V Peak @ 1 HZ-100 Pulses
Black Wire	Ground
Red Wire	Power
Current Draw	2.2A @ 12V DC 1.1A @ 24V DC

PHOTOMETRIC SPECIFICATIONS

Effective Lumen Output	1000
-------------------------------	------

APPLICATIONS



PRODUCT WARNINGS

For California residents:

⚠ WARNING: Cancer and reproductive harm - www.P65Warnings.ca.gov.

⚠ AVERTISSEMENT: Cancer et effet nocif sur la reproduction - www.P65Warnings.ca.gov.

Print date: 2026-06-28

© 2026 J.W. Speaker Corporation • Germantown, WI U.S.A.
www.jwspeaker.com • speaker@jwspeaker.com • 262.251.6660

J.W. SPEAKER 
Engineered. Lighting. Solutions.

Model Bobcat LED Headlight

RELATED PRODUCTS



Part Number
100041
12/24V Bobcat Left-
Hand LED Headlight



Part Number
100051
12/24V Bobcat Right-
Hand LED Headlight