

Model Bobcat LED Headlight

PRODUCT INFORMATION

| | |
|--------------------------------------|---|
| Description | 12/24V Bobcat Right-Hand LED Headlight |
| Height | 153.00 mm / 6.02 in |
| Width | 153.00 mm / 6.02 in |
| Depth | 41.00 mm / 1.61 in |
| Shape | Triangle |
| Outer Lens Material | Polycarbonate |
| Outer Lens Color | Clear |
| Housing Material | Polycarbonate |
| Housing Color | Black |
| Minimum Operating Temperature | -40 °C / -40 °F |
| Maximum Operating Temperature | 65 °C / 149 °F |
| Connector or Wiring | Integrated 2-Pin Deutsch Weather-Proof Socket (DT04-2P) |
| Mating Connector | Connector Metri PE12059450-B BLACK 2-pin |
| Product Weight | 0.81 lbs / 0.37 kgs |
| Shipping Weight | 1.06 lbs / 0.48 kgs |

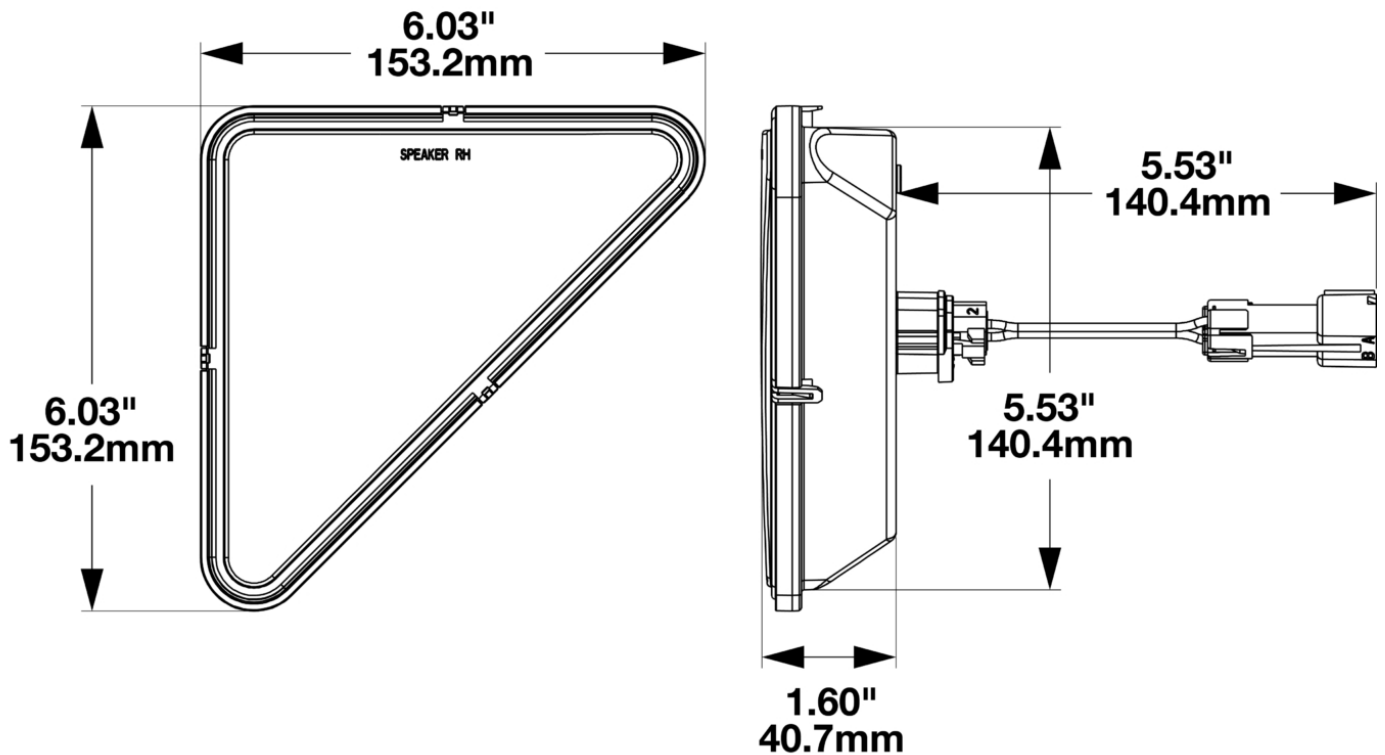


Print date: 2026-04-03

© 2026 J.W. Speaker Corporation • Germantown, WI U.S.A.
www.jwspeaker.com • speaker@jwspeaker.com • 262.251.6660

Model Bobcat LED Headlight

PRODUCT DIMENSIONS



ELECTRICAL SPECIFICATIONS

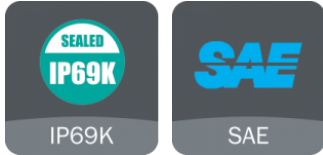
| | |
|-----------------------------------|--------------------------------|
| Input Voltage | 12/24V DC |
| Operating Voltage | 9-32V DC |
| Transient Spike Protection | 330V Peak @ 1 HZ-100 Pulses |
| Black Wire | Ground |
| Red Wire | Power |
| Current Draw | 2.2A @ 12V DC 1.1A @ 24V DC |

Print date: 2026-04-03

© 2026 J.W. Speaker Corporation • Germantown, WI U.S.A.
www.jwspeaker.com • speaker@jwspeaker.com • 262.251.6660

Model Bobcat LED Headlight

REGULATORY STANDARDS COMPLIANCE



IEC IP69K
SAE J1455

SAE J1113-13

PHOTOMETRIC SPECIFICATIONS

Effective Lumen Output 1000

PRODUCT WARNINGS

For California residents:

⚠ **WARNING:** Cancer and reproductive harm - www.P65Warnings.ca.gov.

⚠ **AVERTISSEMENT:** Cancer et effet nocif sur la reproduction - www.P65Warnings.ca.gov.

RELATED PRODUCTS



Part Number
1000041
12/24V Bobcat Left-
Hand LED Headlight



BOBCAT RIGHT HAND HEADLIGHT BOBCAT LEFT HAND HEADLIGHT

Part Number
1000093
12/24V Bobcat LH &
RH LED Headlight - 2
Light Kit

Print date: 2026-04-03

© 2026 J.W. Speaker Corporation • Germantown, WI U.S.A.
www.jwspeaker.com • speaker@jwspeaker.com • 262.251.6660