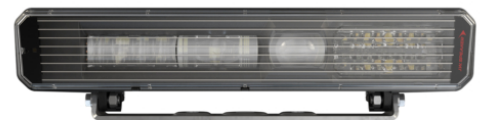


LED Low Profile Snowplow Lights - Model 9900 LP

PRODUCT INFORMATION

| | |
|--------------------------------------|---------------------------------------------------------------|
| Description | 12-24V DOT/ECE RHT Heated Low Profile Headlight - 2 Light Kit |
| Height | 83.00 mm / 3.27 in |
| Width | 334.00 mm / 13.15 in |
| Depth | 85.00 mm / 3.35 in |
| Shape | Rectangular |
| Outer Lens Material | Polycarbonate |
| Outer Lens Color | Clear |
| Housing Material | Aluminum |
| Housing Color | Black |
| Bezel Color | Black |
| Mounting Hardware Description | (x2) M8-1.25 x 25mm SS Carriage Bolt |
| Mounting Type | Universal Pedestal Mount |
| Retrofits | Pedestal mount snow plow lights |
| Minimum Operating Temperature | -30 °C / -22 °F |
| Maximum Operating Temperature | 55 °C / 131 °F |
| Connector or Wiring | 6-Pin Delphi (#12052848) |
| Mating Connector | Delphi (#12052848) |
| Product Weight | 4.30 lbs / 1.95 kgs |
| Shipping Weight | 7.60 lbs / 3.45 kgs |



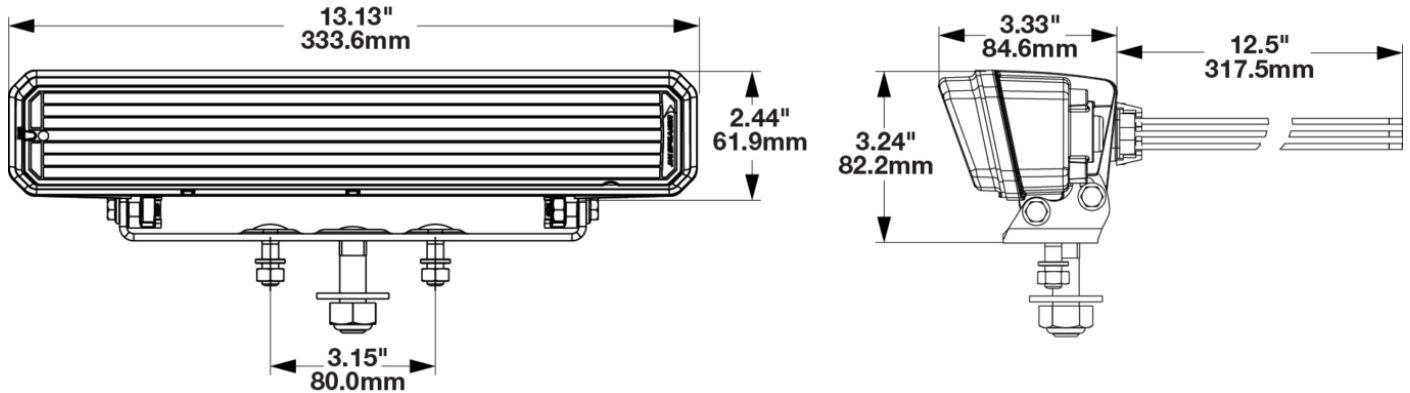
Print date: 2026-06-20

© 2026 J.W. Speaker Corporation • Germantown, WI U.S.A.
 www.jwspeaker.com • speaker@jwspeaker.com • 262.251.6660

J.W. SPEAKER 
 Engineered. Lighting. Solutions.

LED Low Profile Snowplow Lights - Model 9900 LP

PRODUCT DIMENSIONS



ELECTRICAL SPECIFICATIONS

| | |
|-----------------------------------|--------------------------------------------------------------------------------------------------------------------------------------------------------------------------------------------------------------------------------------------------------------------------------------|
| Input Voltage | 12-24V DC |
| Operating Voltage | 9-30V DC |
| Transient Spike Protection | 150V Peak @ 1 HZ-100 Pulses |
| Red Wire | Front Position |
| Black Wire | Ground |
| White Wire | High Beam |
| Yellow Wire | Low Beam |
| Blue Wire | DRL |
| Orange Wire | Turn |
| Current Draw | 5.00A @ 12V DC (High Beam) 3.50A @ 12V DC (Low Beam) 2.0A @ 12V DC (Front Position) 2.50A @ 12V DC (DRL) 1A @ 12V DC (Turn) 3.00A @ 24V DC (High Beam) 2.25A @ 24V DC (Low Beam) 1.50A @ 24V DC (Front Position) 1.75A @ 24V DC (DRL) .5A @ 24V DC (Turn) |

Print date: 2026-06-20

© 2026 J.W. Speaker Corporation • Germantown, WI U.S.A.
www.jwspeaker.com • speaker@jwspeaker.com • 262.251.6660

LED Low Profile Snowplow Lights - Model 9900 LP

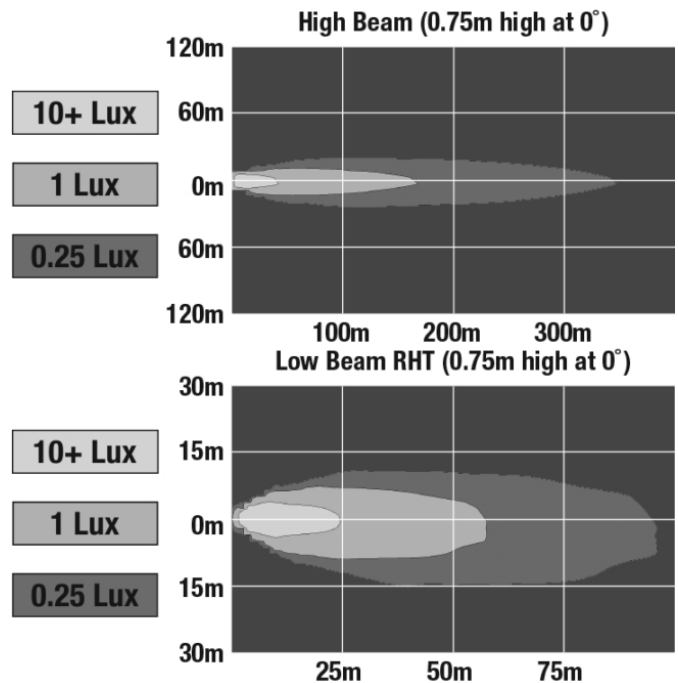
REGULATORY STANDARDS COMPLIANCE



| | |
|-----------------------------|-------------------------------|
| Buy America Standards | ECE Reg 112 |
| ECE Reg 6 | ECE Reg 7 |
| ECE Reg 87 | Eco Friendly |
| FMVSS 108 s10.1 (Table XIX) | FMVSS 108 s10.1 (Table XVIII) |
| FMVSS 108 s7.1 (Table VI) | FMVSS 108 s7.8 (Table XIV) |
| SAE J2087 | SAE J222 |

PHOTOMETRIC SPECIFICATIONS

| | |
|-------------------------------|-----------------------------------------------------------------------------------------------------------------------------------------------------------------------------------------------------------------------------------------------|
| Raw Lumen Output | 4,300 (High Beam); 2,370 (Low) |
| Effective Lumen Output | 1,060 (High Beam); 587 (Low) |
| Candela Output | 58,000 |
| Beam Pattern(s) | Forward Lighting - Daytime Running Light Forward Lighting - High Beam (DOT/ECE) Forward Lighting - Low Beam (ECE Right Hand) Forward Lighting - Low Beam (DOT/ECE) Signalization - Front Position Signalization - Turn (Front) |



Print date: 2026-06-20

© 2026 J.W. Speaker Corporation • Germantown, WI U.S.A.
www.jwspeaker.com • speaker@jwspeaker.com • 262.251.6660

LED Low Profile Snowplow Lights - Model 9900 LP

APPLICATIONS



INSTALLATION & APPLICATION INFORMATION

Each kit includes 2 lamps: a "LH" left hand lamp and a "RH" right hand lamp. This refers to installing the correct light on the left hand or right hand side of your vehicle, Pedestal mount snow plow lights for single or double bolt mounts. Each lamp comes with mounting hardware for single bolt mount included (1/2-13 x 1.75 SS Carriage Bolt with hex nut and washer), in addition to the 2 M8-1.25 x 25 SS Carriage Bolts for double bolt mounts.

SMARTHEAT™ HEATING SYSTEM

The SmartHeat™ heating system senses ambient temperature and turns the integrated heating system in the lens on & off. This system actually clears ice & snow twice as fast as conventional halogen lamps.

When does the heater turn on?

Heater turns on or off according to temperature changes and vehicle power:

- Heater will turn on when temperatures drop, generating enough heat to prevent ice build-up.
- Heater will turn on when powering up, de-icing the light as rapidly as possible.

When does the heater turn off?

Heater will turn off when it senses temperatures increase and are above the high temperature threshold.

Learn more about this technology [here](#).

See Additional Information on page 1 for heated wire installation

PRODUCT WARNINGS

For California residents:

⚠ **WARNING:** Cancer and reproductive harm - www.P65Warnings.ca.gov.

⚠ **AVERTISSEMENT:** Cancer et effet nocif sur la reproduction - www.P65Warnings.ca.gov.

Print date: 2026-06-20

© 2026 J.W. Speaker Corporation • Germantown, WI U.S.A.
www.jwspeaker.com • speaker@jwspeaker.com • 262.251.6660

LED Low Profile Snowplow Lights - Model 9900 LP

RELATED PRODUCTS



Part Number

0556383

12-24V ECE LHT
Heated Low Profile
Headlight - 2 Light Kit