

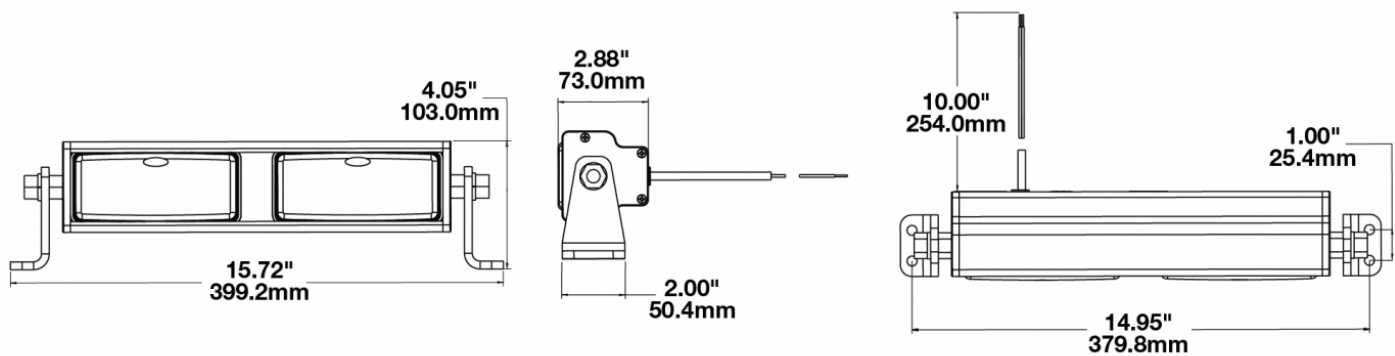
# Model 9049 LED Light

## PRODUCT INFORMATION

<b>Description</b>	12V LED 15" Rail Yard Signal Lamp
<b>Height</b>	103.00 mm / 4.06 in
<b>Width</b>	400.00 mm / 15.75 in
<b>Depth</b>	77.00 mm / 3.03 in
<b>Shape</b>	Rectangular
<b>Outer Lens Material</b>	Polycarbonate
<b>Outer Lens Color</b>	White
<b>Housing Material</b>	Aluminum
<b>Housing Color</b>	Black
<b>Minimum Operating Temperature</b>	-40 °C / -40 °F
<b>Maximum Operating Temperature</b>	65 °C / 149 °F
<b>Product Weight</b>	4.75 lbs / 2.15 kgs



## PRODUCT DIMENSIONS



Print date: 2019-12-15

© 2019 J.W. Speaker Corporation • Germantown, WI U.S.A.  
 www.jwspeaker.com • speaker@jwspeaker.com • 262.251.6660

**J.W. SPEAKER**  
 Engineered. Lighting. Solutions.

# Model 9049 LED Light

## ELECTRICAL SPECIFICATIONS

---

<b>Input Voltage</b>	12V DC
<b>Operating Voltage</b>	9-16V DC
<b>Transient Spike Protection</b>	150V Peak @ 1 HZ-100 Pulses
<b>Black Wire</b>	Ground (Pin 4)
<b>Grey Wire</b>	Ground (Pin 5)
<b>Brown Wire</b>	Red (Pin 1)
<b>White Wire</b>	Green (Pin 2)
<b>Current Draw</b>	0.70A @ 12V DC (Red) 0.80A @ 12V DC (Amber) 0.875A @ 12V DC (Green) 0.925A @ 12V DC (Blue)

## PHOTOMETRIC SPECIFICATIONS

---

**Beam Pattern(s)** Warning - Keep Out Zone

## APPLICATIONS

---



## PRODUCT WARNINGS

---

For California residents:

⚠ **WARNING:** Cancer and reproductive harm - [www.P65Warnings.ca.gov](http://www.P65Warnings.ca.gov).

⚠ **AVERTISSEMENT:** Cancer et effet nocif sur la reproduction - [www.P65Warnings.ca.gov](http://www.P65Warnings.ca.gov).

---

**Print date: 2019-12-15**

© 2019 J.W. Speaker Corporation • Germantown, WI U.S.A.  
[www.jwspeaker.com](http://www.jwspeaker.com) • [speaker@jwspeaker.com](mailto:speaker@jwspeaker.com) • 262.251.6660

**J.W. SPEAKER**   
Engineered. Lighting. Solutions.