

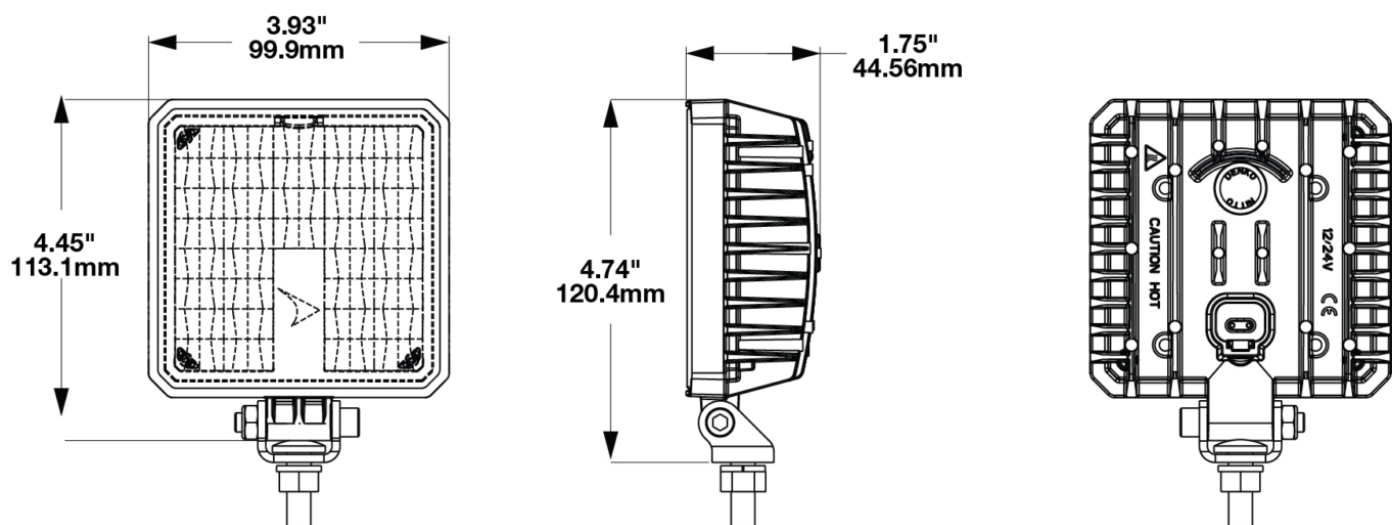
LED Compact Work Light – Model 892

PRODUCT INFORMATION

Description	12/24V LED Work Light Pedestal Mount (BULK without Harness)
Height	120.40 mm / 4.74 in
Width	99.90 mm / 3.93 in
Depth	44.56 mm / 1.75 in
Shape	Square
Outer Lens Material	Polycarbonate
Outer Lens Color	Clear
Housing Color	Black
Mounting Hardware Description	(x1) 5/16"-18 x 1.00" Mounting Bolt Bracket
Minimum Operating Temperature	-40 °C / -40 °F
Maximum Operating Temperature	60 °C / 140 °F
Mating Connector	Deutsch DT06-2S-E003
Product Weight	0.90 lbs / 0.41 kgs
Shipping Weight	22.74 lbs / 10.31 kgs



PRODUCT DIMENSIONS



Print date: 2021-10-20

© 2021 J.W. Speaker Corporation • Germantown, WI U.S.A.
www.jwspeaker.com • speaker@jwspeaker.com • 262.251.6660

J.W. SPEAKER
Engineered. Lighting. Solutions.

LED Compact Work Light – Model 892

ELECTRICAL SPECIFICATIONS

Input Voltage	12-24V DC
Operating Voltage	9-30V DC
Transient Spike Protection	330V Peak @ 1 HZ-100 Pulses
Red Wire	Power
Black Wire	Ground
Current Draw	4.38A @ 12V DC (Power) 1.84A @ 24V DC (Power)

REGULATORY STANDARDS COMPLIANCE

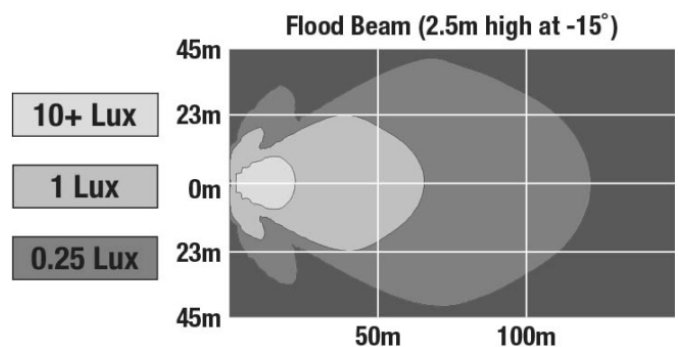


ECE Reg 10
IEC IP69K

IEC IP67

PHOTOMETRIC SPECIFICATIONS

Raw Lumen Output	6372
Effective Lumen Output	3800
Nominal LED Color Temperature	5700 K



Print date: 2021-10-20

© 2021 J.W. Speaker Corporation • Germantown, WI U.S.A.
www.jwspeaker.com • speaker@jwspeaker.com • 262.251.6660

LED Compact Work Light – Model 892

PRODUCT WARNINGS

For California residents:

⚠ **WARNING:** Cancer and reproductive harm - www.P65Warnings.ca.gov.

⚠ **AVERTISSEMENT:** Cancer et effet nocif sur la reproduction - www.P65Warnings.ca.gov.

ACCESSORIES



Part Number

8200121

Black Mount Kit for XD
Series Work Lights

RELATED PRODUCTS



Part Number

1603961

12/24V LED Work Light
Pedestal Mount

Print date: 2021-10-20

© 2021 J.W. Speaker Corporation • Germantown, WI U.S.A.
www.jwspeaker.com • speaker@jwspeaker.com • 262.251.6660