

Model 8900 EVO-X Headlight

PRODUCT INFORMATION

Description	12-24V ECE LED LHT High and Low Beam Headlight with Front Position with Black Bezel
Height	142.00 mm / 5.59 in
Width	200.00 mm / 7.87 in
Depth	77.95 mm / 3.07 in
Shape	Rectangular
Outer Lens Material	Hardcoated Polycarbonate
Outer Lens Color	Clear
Housing Material	Polycarbonate
Housing Color	Black
Bezel Color	Black
Retrofits	2B1 5" x 7" Headlights
Minimum Operating Temperature	-40 °C / -40 °F
Maximum Operating Temperature	65 °C / 149 °F
Connector or Wiring	Integrated 6-pin Deutsch to H4 (AMP #172615-2), 10" length
Mating Connector	H4 AMP#172615-2



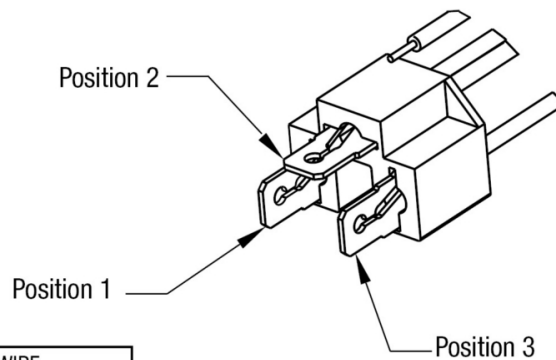
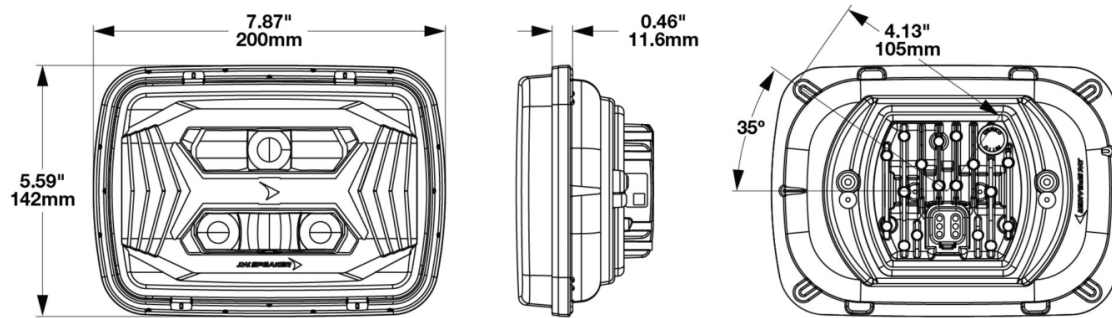
Print date: 2026-06-21

© 2026 J.W. Speaker Corporation • Germantown, WI U.S.A.
 www.jwspeaker.com • speaker@jwspeaker.com • 262.251.6660

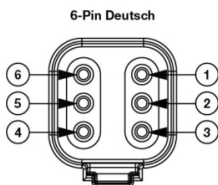
J.W. SPEAKER 
 Engineered. Lighting. Solutions.

Model 8900 EVO-X Headlight

PRODUCT DIMENSIONS



PIN	WIRE
1 - Ground	Black
2 - Low Beam	Yellow
3 - High Beam	White



PIN	FUNCTION
PIN 1	Ground
PIN 2	Low Beam
PIN 3	High Beam
PIN 4	Front Position
PIN 5	-
PIN 6	-

Print date: 2026-06-21

© 2026 J.W. Speaker Corporation • Germantown, WI U.S.A.
 www.jwspeaker.com • speaker@jwspeaker.com • 262.251.6660

Model 8900 EVO-X Headlight

ELECTRICAL SPECIFICATIONS

Input Voltage	12-24V DC
Operating Voltage	9-32V DC
Current Draw	2.09A @ 12V DC (Low Beam) 1.13A @ 24V DC (Low Beam) 4.52A @ 12V DC (High Beam) 2.21A @ 24V DC (High Beam) 0.26A @ 12V DC (Front Position) 0.15A @ 24V DC (Front Position)

REGULATORY STANDARDS COMPLIANCE



ECE Reg 10
ECE Reg 149 - C
IEC IP67



ECE Reg 148 - A
ECE Reg 149 - HR
IEC IP69K

Print date: 2026-06-21

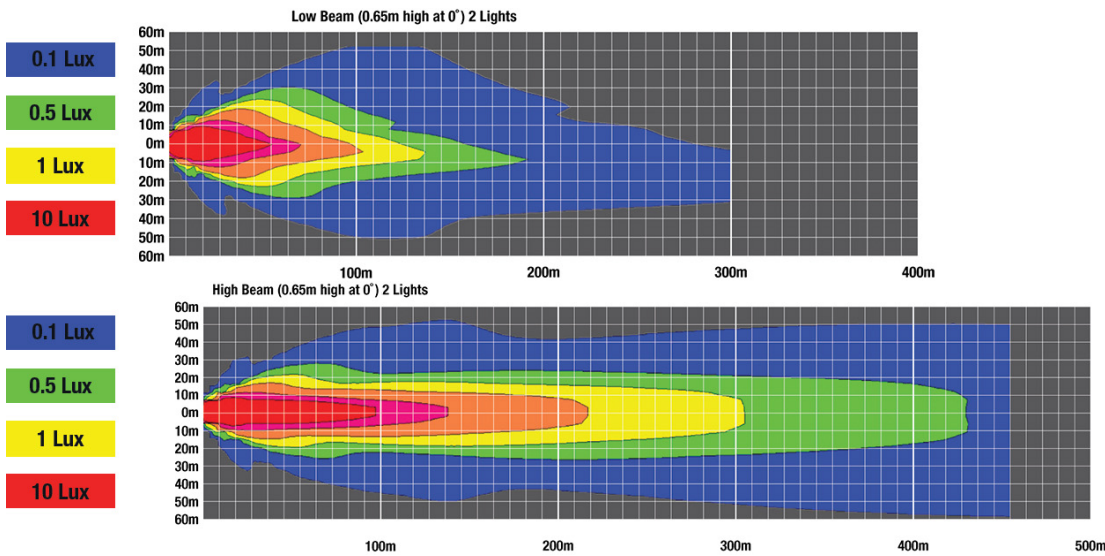
© 2026 J.W. Speaker Corporation • Germantown, WI U.S.A.
www.jwspeaker.com • speaker@jwspeaker.com • 262.251.6660

J.W. SPEAKER 
Engineered. Lighting. Solutions.

Model 8900 EVO-X Headlight

PHOTOMETRIC SPECIFICATIONS

Raw Lumen Output	3,740 (High beam), 2,330 (Low Beam)
Effective Lumen Output	1,420 (High Beam), 735 (Low beam)
Candela Output	62,000
Nominal LED Color Temperature	5700 K
Beam Pattern(s)	Forward Lighting - High Beam (ECE) Forward Lighting - Low Beam (ECE Left Hand) Signalization - Front Position



APPLICATIONS



Print date: 2026-06-21

© 2026 J.W. Speaker Corporation • Germantown, WI U.S.A.
www.jwspeaker.com • speaker@jwspeaker.com • 262.251.6660

Model 8900 EVO-X Headlight

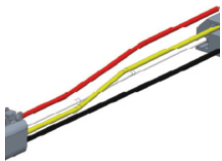
PRODUCT WARNINGS

For California residents:

⚠ **WARNING:** Cancer and reproductive harm - www.P65Warnings.ca.gov.

⚠ **AVERTISSEMENT:** Cancer et effet nocif sur la reproduction - www.P65Warnings.ca.gov.

ACCESSORIES



Part Number
3272541
High Beam/Low Beam
and Front Position H4
Harness



Part Number
3272551
High Beam and Low
Beam H4 Harness



Part Number
3272681
5-in-1 Flying Lead
Harness

Model 8900 EVO-X Headlight

RELATED PRODUCTS



Part Number
0562471
12-24V DOT/ECE LED
RHT 5-in-1 Headlight
with Black Bezel



Part Number
0562481
12-24V DOT/ECE LED
RHT 5-in-1 Headlight
with Chrome Bezel



Part Number
0562491
12-24V DOT/ECE LED
RHT 5-in-1 Heated
Headlight with Black
Bezel



Part Number
0562501
12-24V DOT/ECE LED
RHT 5-in-1 Heated
Headlight with Chrome
Bezel



Part Number
0562591
12-24V DOT/ECE LED
RHT High & Low Beam
Headlight with Front
Position with Black
Bezel



Part Number
0562601
12-24V DOT/ECE LED
RHT High & Low Beam
Headlight with Front
Position with Chrome
Bezel



Part Number
0562611
12-24V DOT/ECE LED
RHT High & Low Beam
Heated Headlight with
Front Position with
Black Bezel



Part Number
0562621
12-24V DOT/ECE LED
RHT High & Low Beam
Heated Headlight with
Front Position with
Chrome Bezel