

# Model 8900 EVO-X Headlight

## PRODUCT INFORMATION

---

<b>Description</b>	12-24V DOT/ECE LED RHT 5-in-1 Headlight with Chrome Bezel
<b>Height</b>	142.00 mm / 5.59 in
<b>Width</b>	200.00 mm / 7.87 in
<b>Depth</b>	77.95 mm / 3.07 in
<b>Shape</b>	Rectangular
<b>Outer Lens Material</b>	Hardcoated Polycarbonate
<b>Outer Lens Color</b>	Clear
<b>Housing Material</b>	Polycarbonate
<b>Housing Color</b>	Black
<b>Bezel Color</b>	Chrome
<b>Retrofits</b>	2B1 5" x 7" Headlights
<b>Minimum Operating Temperature</b>	-40 °C / -40 °F
<b>Maximum Operating Temperature</b>	65 °C / 149 °F
<b>Connector or Wiring</b>	Integrated 6-pin Deutsch
<b>Mating Connector</b>	Deutsch DT06-6S



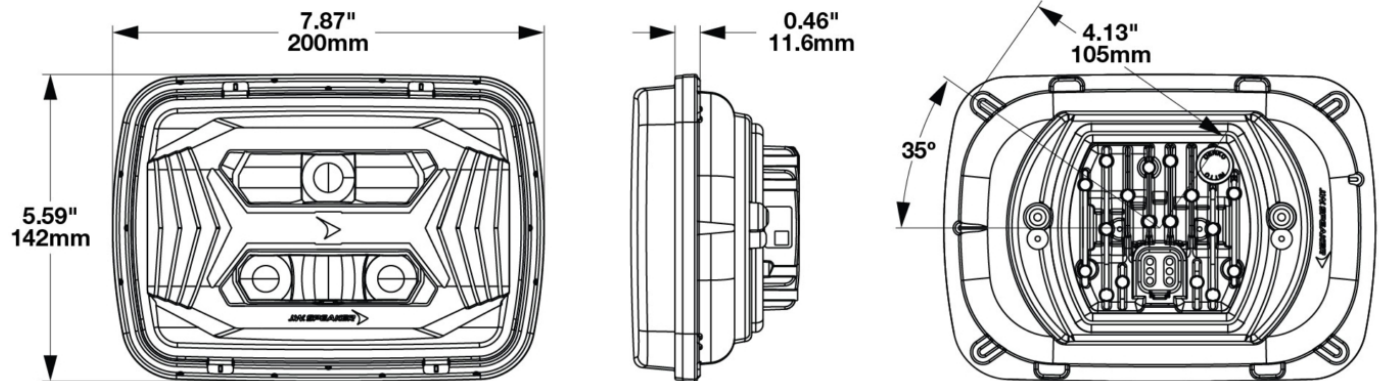
---

**Print date: 2026-04-30**

© 2026 J.W. Speaker Corporation • Germantown, WI U.S.A.  
www.jwspeaker.com • speaker@jwspeaker.com • 262.251.6660

# Model 8900 EVO-X Headlight

## PRODUCT DIMENSIONS



View: Back of Lamp  
6-Pin Deutsch



PIN	FUNCTION
PIN 1	Front Position
PIN 2	Daytime Running Light
PIN 3	Direction Indicator*
PIN 4	Ground
PIN 5	Low Beam
PIN 6	High Beam

Note: Reference number on Deutsch Connector  
\*Direction Indicator (DI) is not DOT compliant

Print date: 2026-04-30

© 2026 J.W. Speaker Corporation • Germantown, WI U.S.A.  
www.jwspeaker.com • speaker@jwspeaker.com • 262.251.6660

# Model 8900 EVO-X Headlight

## ELECTRICAL SPECIFICATIONS

<b>Input Voltage</b>	12-24V DC
<b>Operating Voltage</b>	9-32V DC
<b>Current Draw</b>	2.09A @ 12V DC (Low Beam)
	1.13A @ 24V DC (Low Beam)
	4.52A @ 12V DC (High Beam)
	2.21A @ 24V DC (High Beam)
	0.26A @ 12V DC (Front Position)
	0.15A @ 24V DC (Front Position)
	2.52A @ 12V DC (DRL)
	1.28A @ 24V DC (DRL)
	2.95A @ 12V DC (Direction Indicator)
	1.53A @ 24V DC (Direction Indicator)

## REGULATORY STANDARDS COMPLIANCE



ECE Reg 10	ECE Reg 148 - 1b
ECE Reg 148 - A	ECE Reg 148 - RL
ECE Reg 149 - C	ECE Reg 149 - HR
FMVSS 108 s10.1 (Table XIX)	FMVSS 108 s10.1 (Table XVIII)
FMVSS 108 s7.10	FMVSS 108 s7.8 (Table XIV)
IEC IP67	IEC IP69K
SAE J1383	SAE J2087
SAE J222	

**Print date: 2026-04-30**

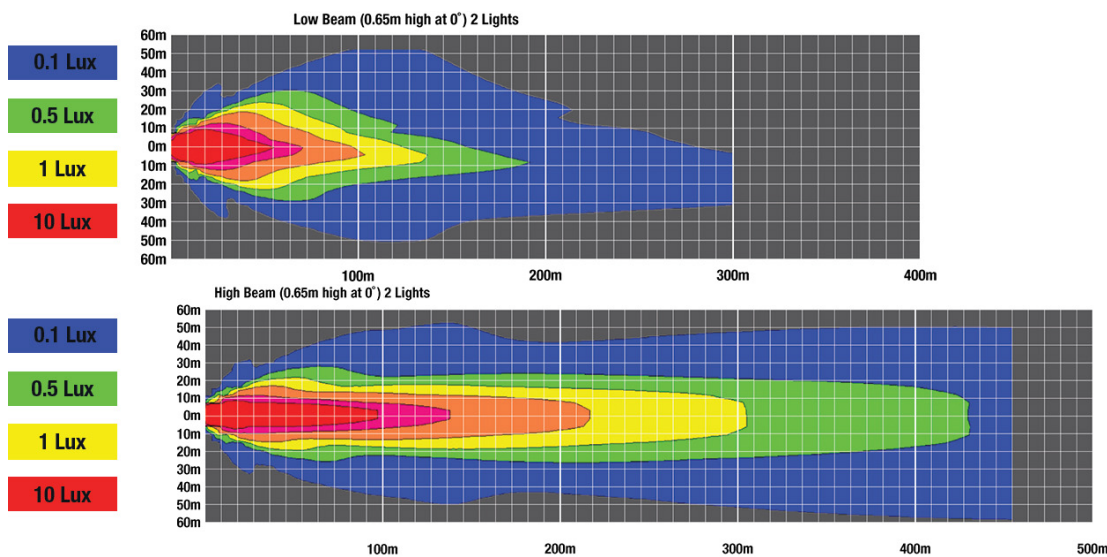
© 2026 J.W. Speaker Corporation • Germantown, WI U.S.A.  
 www.jwspeaker.com • speaker@jwspeaker.com • 262.251.6660

**J.W. SPEAKER**   
 Engineered. Lighting. Solutions.

# Model 8900 EVO-X Headlight

## PHOTOMETRIC SPECIFICATIONS

<b>Raw Lumen Output</b>	3,740 (High beam), 2,330 (Low Beam)
<b>Effective Lumen Output</b>	1,420 (High Beam), 735 (Low beam)
<b>Candela Output</b>	62,000
<b>Nominal LED Color Temperature</b>	5700 K
<b>Beam Pattern(s)</b>	Forward Lighting - Daytime Running Light Forward Lighting - High Beam (ECE) Forward Lighting - Low Beam (ECE Right Hand) Signalization - Front Position Signalization - Turn (Front)



Print date: 2026-04-30

© 2026 J.W. Speaker Corporation • Germantown, WI U.S.A.  
www.jwspeaker.com • speaker@jwspeaker.com • 262.251.6660

# Model 8900 EVO-X Headlight

## APPLICATIONS

---



## PRODUCT WARNINGS

---

For California residents:

⚠ **WARNING:** Cancer and reproductive harm - [www.P65Warnings.ca.gov](http://www.P65Warnings.ca.gov).

⚠ **AVERTISSEMENT:** Cancer et effet nocif sur la reproduction - [www.P65Warnings.ca.gov](http://www.P65Warnings.ca.gov).

---

Print date: 2026-04-30

© 2026 J.W. Speaker Corporation • Germantown, WI U.S.A.  
www.jwspeaker.com • speaker@jwspeaker.com • 262.251.6660

# Model 8900 EVO-X Headlight

## RELATED PRODUCTS

---



**Part Number**  
**0562471**  
12-24V DOT/ECE LED  
RHT 5-in-1 Headlight  
with Black Bezel



**Part Number**  
**0562491**  
12-24V DOT/ECE LED  
RHT 5-in-1 Heated  
Headlight with Black  
Bezel



**Part Number**  
**0562501**  
12-24V DOT/ECE LED  
RHT 5-in-1 Heated  
Headlight with Chrome  
Bezel



**Part Number**  
**0562591**  
12-24V DOT/ECE LED  
RHT High & Low Beam  
Headlight with Front  
Position with Black  
Bezel



**Part Number**  
**0562601**  
12-24V DOT/ECE LED  
RHT High & Low Beam  
Headlight with Front  
Position with Chrome  
Bezel



**Part Number**  
**0562611**  
12-24V DOT/ECE LED  
RHT High & Low Beam  
Heated Headlight with  
Front Position with  
Black Bezel



**Part Number**  
**0562621**  
12-24V DOT/ECE LED  
RHT High & Low Beam  
Heated Headlight with  
Front Position with  
Chrome Bezel



**Part Number**  
**0562721**  
12-24V ECE LED LHT  
High and Low Beam  
Headlight with Front  
Position with Black  
Bezel