

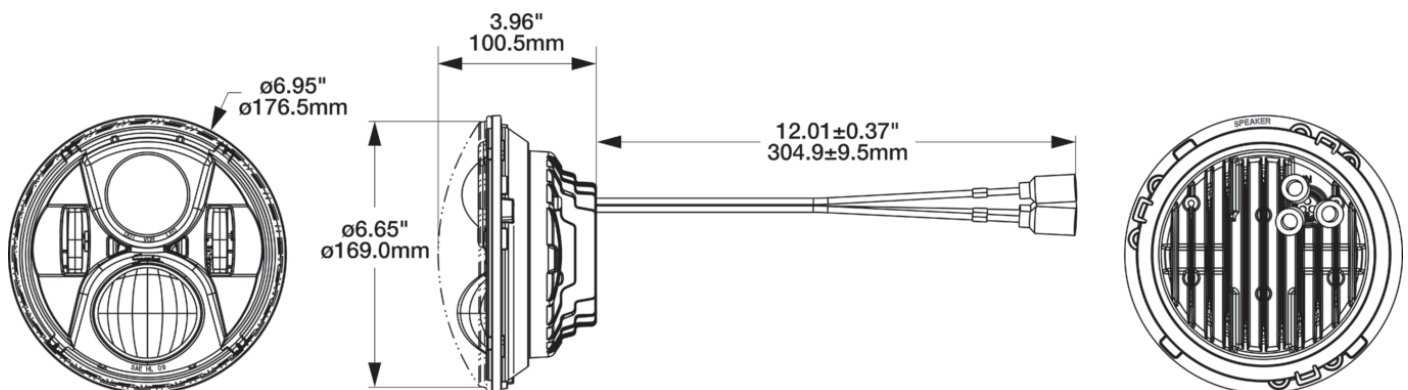
# LED Headlight - Model 8700 Military Headlight

## PRODUCT INFORMATION

<b>Description</b>	12-24V LED Military Low and High Beam Headlight
<b>Height</b>	169.00 mm / 6.65 in
<b>Width</b>	169.00 mm / 6.65 in
<b>Depth</b>	100.50 mm / 3.96 in
<b>Shape</b>	Round
<b>Outer Lens Material</b>	GLASS
<b>Outer Lens Color</b>	CLEAR
<b>Housing Material</b>	ALUMINUM
<b>Housing Color</b>	BLACK
<b>Bezel Color</b>	BLACK
<b>Minimum Operating Temperature</b>	-30 °C / -22 °F
<b>Maximum Operating Temperature</b>	50 °C / 122 °F
<b>Connector or Wiring</b>	Male Terminal Shell, 14ga - Ord. #MS27144-1 / Amer. 8338560
<b>Product Weight</b>	2.55 lbs / 1.16 kgs
<b>Shipping Weight</b>	3.40 lbs / 1.54 kgs



## PRODUCT DIMENSIONS



Print date: 2026-05-17

© 2026 J.W. Speaker Corporation • Germantown, WI U.S.A.  
 www.jwspeaker.com • speaker@jwspeaker.com • 262.251.6660

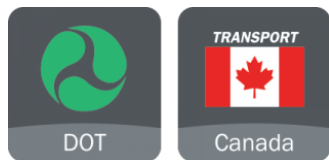
**J.W. SPEAKER**  
 Engineered. Lighting. Solutions.

# LED Headlight - Model 8700 Military Headlight

## ELECTRICAL SPECIFICATIONS

<b>Input Voltage</b>	9-32V DC
<b>Operating Voltage</b>	12-24V DC
<b>17 Wire</b>	HIGH BEAM
<b>18 Wire</b>	LOW BEAM
<b>91 Wire</b>	GROUND
<b>Current Draw</b>	1.50A @ 14V DC (HIGH BEAM) 0.93A @ 24V DC (HIGH BEAM) 1.38A @ 14V DC (LOW BEAM) 0.83A @ 24V DC (LOW BEAM)

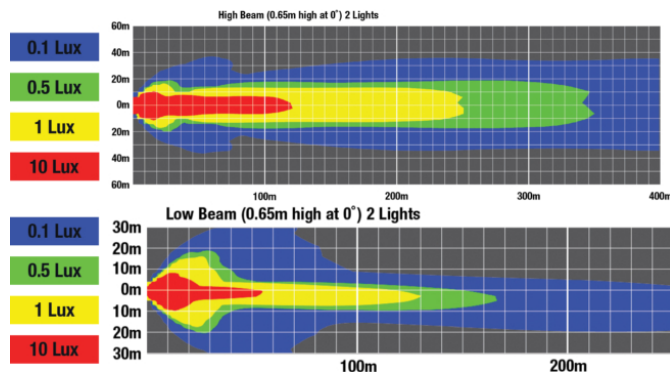
## REGULATORY STANDARDS COMPLIANCE



FMVSS 108 s10.1 (Table XIX) FMVSS 108 s10.1 (Table XVIII)

## PHOTOMETRIC SPECIFICATIONS

<b>Raw Lumen Output</b>	2,360 (High Beam), 1,520 (Low Beam)
<b>Effective Lumen Output</b>	1,020 (High Beam), 810 (Low Beam)
<b>Candela Output</b>	60,500 (High Beam); 27,500 (Low Beam)
<b>Nominal LED Color Temperature</b>	5025 K
<b>Beam Pattern(s)</b>	Forward Lighting - High Beam (DOT) Forward Lighting - Low Beam (DOT)



Print date: 2026-05-17

© 2026 J.W. Speaker Corporation • Germantown, WI U.S.A.  
www.jwspeaker.com • speaker@jwspeaker.com • 262.251.6660

# LED Headlight - Model 8700 Military Headlight

## APPLICATIONS

---



## PRODUCT WARNINGS

---

For California residents:

⚠ **WARNING:** Cancer and reproductive harm - [www.P65Warnings.ca.gov](http://www.P65Warnings.ca.gov).

⚠ **AVERTISSEMENT:** Cancer et effet nocif sur la reproduction - [www.P65Warnings.ca.gov](http://www.P65Warnings.ca.gov).

## ACCESSORIES

---



**Part Number**  
**8201111**  
Black Polycarbonate  
Bucket for 7" Round  
(PAR56) Headlight



**Part Number**  
**8201121**  
Green Polycarbonate  
Bucket for 7" Round  
(PAR56) Headlight



**Part Number**  
**8201131**  
Tan Polycarbonate  
Bucket for 7" Round  
(PAR56) Headlight

---

**Print date: 2026-05-17**

© 2026 J.W. Speaker Corporation • Germantown, WI U.S.A.  
[www.jwspeaker.com](http://www.jwspeaker.com) • [speaker@jwspeaker.com](mailto:speaker@jwspeaker.com) • 262.251.6660

# LED Headlight - Model 8700 Military Headlight

## RELATED PRODUCTS

---



**Part Number**  
**0561341**  
12-24V LED Military  
Headlight Kit with  
Black Polycarbonate  
Bucket



**Part Number**  
**0561381**  
12-24V LED Military  
Headlight Kit with  
Green Polycarbonate  
Bucket



**Part Number**  
**0561391**  
12-24V LED Military  
Headlight Kit with Tan  
Polycarbonate Bucket