

LED Headlight - Model 8700 Military Headlight

PRODUCT INFORMATION

| | |
|--------------------------------------|---|
| Description | 12-24V LED Military Headlight Kit with Tan Polycarbonate Bucket |
| Height | 219.00 mm / 8.62 in |
| Width | 219.00 mm / 8.62 in |
| Depth | 100.50 mm / 3.96 in |
| Shape | Round |
| Outer Lens Material | GLASS |
| Outer Lens Color | CLEAR |
| Housing Material | PC |
| Housing Color | BLACK |
| Bezel Color | TAN 686 |
| Mounting Hardware Description | (x3) 1/4"-28 UNF x 1/2" Shock Mount - Reference TACOM 12338607 |
| Mounting Type | 3 Stud, Panel Mount |
| Retrofits | TACOM 13013616 |
| Minimum Operating Temperature | -30 °C / -22 °F |
| Maximum Operating Temperature | 50 °C / 122 °F |
| Connector or Wiring | Male Terminal Shell, 14ga - Ord. #MS27144-1 / Amer. 8338560 |
| Product Weight | 3.90 lbs / 1.77 kgs |
| Shipping Weight | 4.45 lbs / 2.02 kgs |



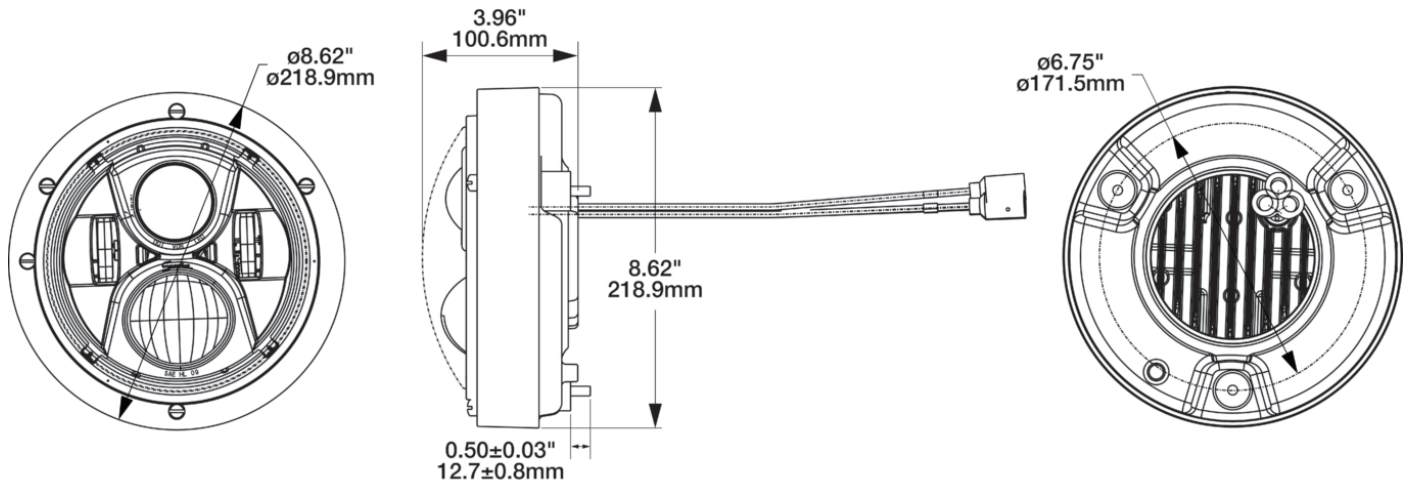
Print date: 2026-06-13

© 2026 J.W. Speaker Corporation • Germantown, WI U.S.A.
 www.jwspeaker.com • speaker@jwspeaker.com • 262.251.6660

J.W. SPEAKER 
 Engineered. Lighting. Solutions.

LED Headlight - Model 8700 Military Headlight

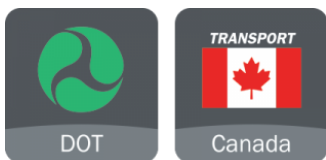
PRODUCT DIMENSIONS



ELECTRICAL SPECIFICATIONS

| | |
|--------------------------|--|
| Input Voltage | 9-32V DC |
| Operating Voltage | 12-24V DC |
| 17 Wire | HIGH BEAM |
| 18 Wire | LOW BEAM |
| 91 Wire | GROUND |
| Current Draw | 1.50A @ 14V DC (HIGH BEAM) 0.93A @ 24V DC (HIGH BEAM) 1.38A @ 14V DC (LOW BEAM) 0.83A @ 24V DC (LOW BEAM) |

REGULATORY STANDARDS COMPLIANCE



FMVSS 108 s10.1 (Table XIX) FMVSS 108 s10.1 (Table XVIII)

Print date: 2026-06-13

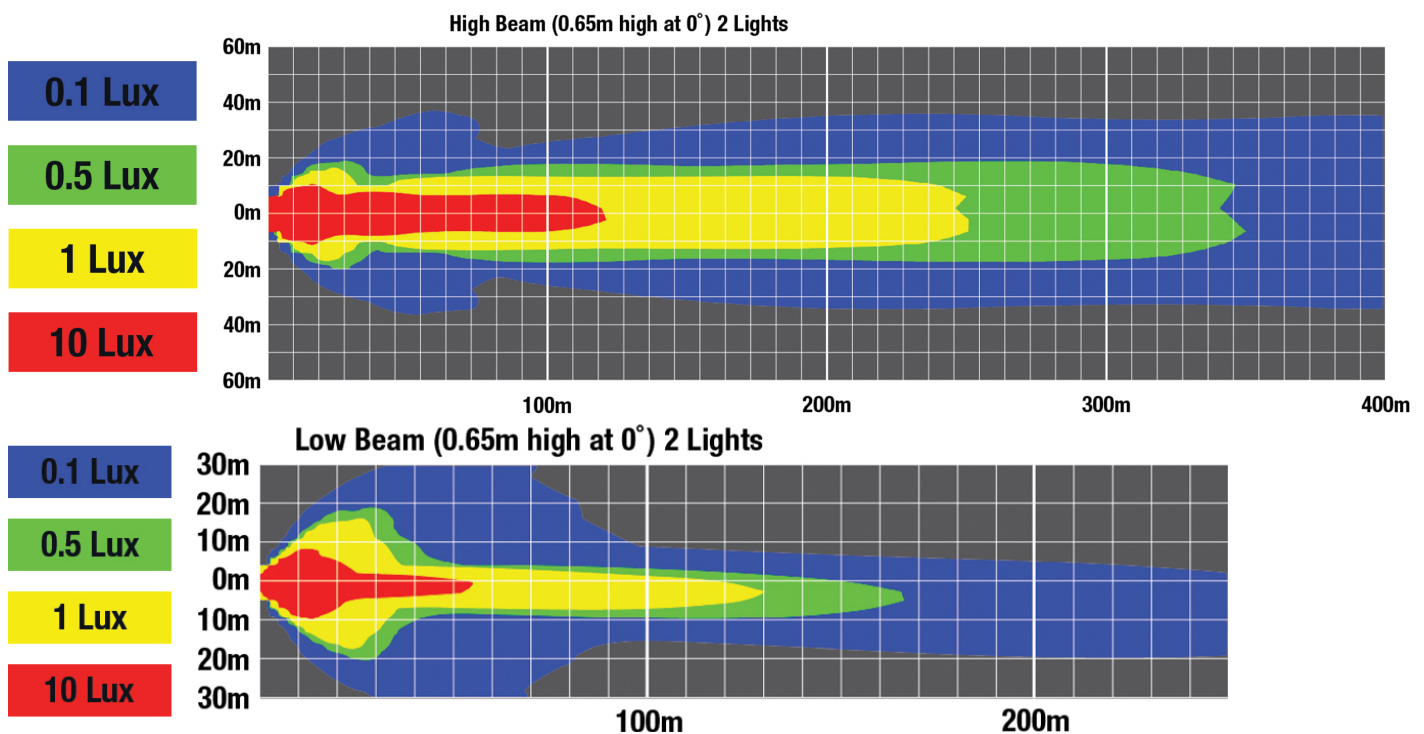
© 2026 J.W. Speaker Corporation • Germantown, WI U.S.A.
www.jwspeaker.com • speaker@jwspeaker.com • 262.251.6660

J.W. SPEAKER
Engineered. Lighting. Solutions.

LED Headlight - Model 8700 Military Headlight

PHOTOMETRIC SPECIFICATIONS

| | |
|--------------------------------------|---|
| Raw Lumen Output | 2,360 (High Beam), 1,520 (Low Beam) |
| Effective Lumen Output | 1,020 (High Beam), 810 (Low Beam) |
| Candela Output | 60,500 (High Beam); 27,500 (Low Beam) |
| Nominal LED Color Temperature | 5025 K |
| Beam Pattern(s) | Forward Lighting - High Beam (DOT) Forward Lighting - Low Beam (DOT) |



APPLICATIONS



Print date: 2026-06-13

© 2026 J.W. Speaker Corporation • Germantown, WI U.S.A.
www.jwspeaker.com • speaker@jwspeaker.com • 262.251.6660

LED Headlight - Model 8700 Military Headlight

PRODUCT WARNINGS

For California residents:

⚠ **WARNING:** Cancer and reproductive harm - www.P65Warnings.ca.gov.

⚠ **AVERTISSEMENT:** Cancer et effet nocif sur la reproduction - www.P65Warnings.ca.gov.

ACCESSORIES



Part Number
8201111

Black Polycarbonate
Bucket for 7" Round
(PAR56) Headlight



Part Number
8201121

Green Polycarbonate
Bucket for 7" Round
(PAR56) Headlight



Part Number
8201131

Tan Polycarbonate
Bucket for 7" Round
(PAR56) Headlight

RELATED PRODUCTS



Part Number
0561341

12-24V LED Military
Headlight Kit with
Black Polycarbonate
Bucket



Part Number
0561381

12-24V LED Military
Headlight Kit with
Green Polycarbonate
Bucket



Part Number
0561811

12-24V LED Military
Low and High Beam
Headlight

Print date: 2026-06-13

© 2026 J.W. Speaker Corporation • Germantown, WI U.S.A.
www.jwspeaker.com • speaker@jwspeaker.com • 262.251.6660