

LED Headlights - Model 8700 Evolution 2R

PRODUCT INFORMATION

Description	12V DOT LED High & Low Beam Headlight with Black Inner Bezel - 2 Light Kit
Height	240.00 mm / 9.45 in
Width	238.00 mm / 9.37 in
Depth	205.00 mm / 8.07 in
Shape	Round
Outer Lens Material	Polycarbonate
Outer Lens Color	Clear
Housing Material	Aluminum
Housing Color	Grey
Bezel Color	Black
Mounting Hardware Description	(x2)
Mounting Type	Custom
Retrofits	Jeep Renegade Headlights
Minimum Operating Temperature	-40 °C / -40 °F
Maximum Operating Temperature	65 °C / 149 °F
Connector or Wiring	Delphi 33500006
Mating Connector	Delphi 17260805
Product Weight	7.60 lbs / 3.45 kgs
Shipping Weight	9.09 lbs / 4.12 kgs



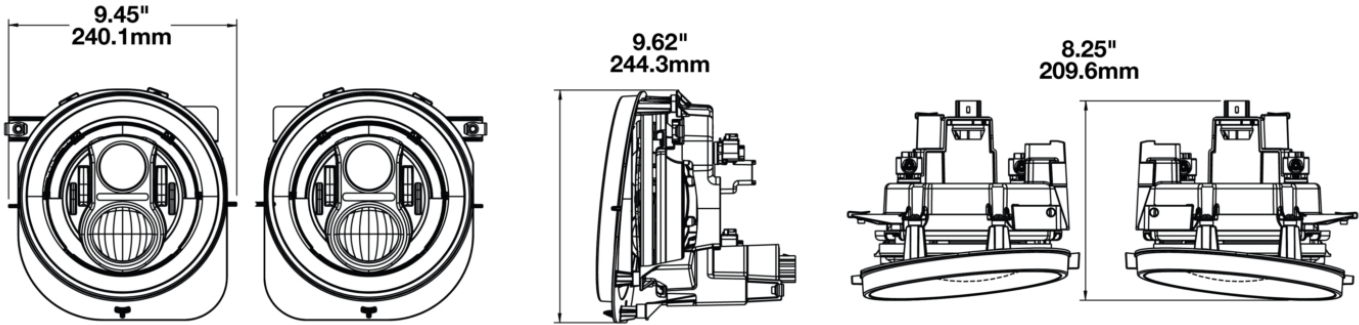
Print date: 2020-05-31

© 2020 J.W. Speaker Corporation • Germantown, WI U.S.A.
 www.jwspeaker.com • speaker@jwspeaker.com • 262.251.6660

J.W. SPEAKER 
 Engineered. Lighting. Solutions.

LED Headlights - Model 8700 Evolution 2R

PRODUCT DIMENSIONS



ELECTRICAL SPECIFICATIONS

Input Voltage	12V DC
Operating Voltage	9-16V DC
Transient Spike Protection	150V Peak @ 1 HZ-100 Pulses
Black Wire	Ground
White Wire	High Beam
Yellow Wire	Low Beam
Current Draw	4.00A @ 12V DC (High Beam) 2.70A @ 12V DC (Low Beam)

REGULATORY STANDARDS COMPLIANCE



Buy America Standards
 FMVSS 108 s10.1 (Table XIX)
 IEC IP67

Eco Friendly
 FMVSS 108 s10.1 (Table XVIII)

Print date: 2020-05-31

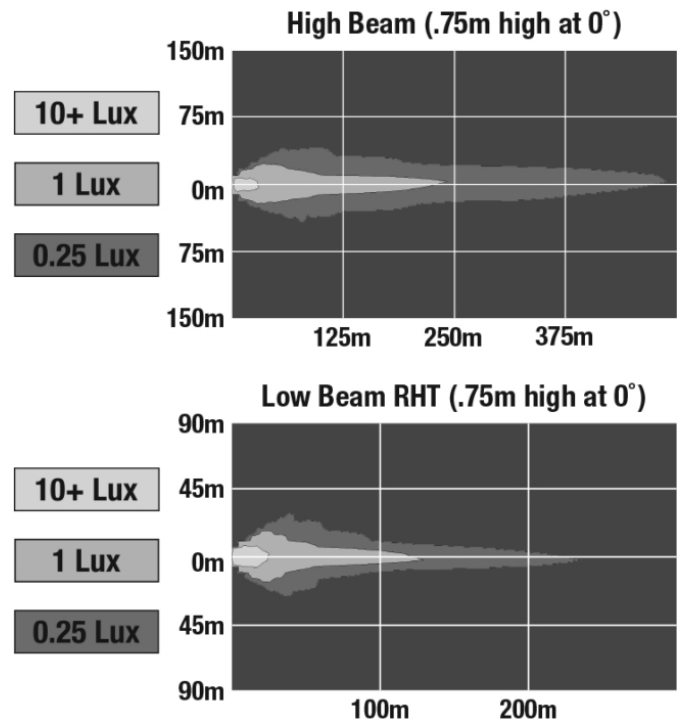
© 2020 J.W. Speaker Corporation • Germantown, WI U.S.A.
www.jwspeaker.com • speaker@jwspeaker.com • 262.251.6660



LED Headlights - Model 8700 Evolution 2R

PHOTOMETRIC SPECIFICATIONS

Raw Lumen Output	3,200 (High Beam); 1,770 (Low Beam)
Effective Lumen Output	1,260 (High Beam); 750 (Low Beam)
Candela Output	71,500 (High Beam); 35,003 (Low Beam)
Nominal LED Color Temperature	5000 K
Beam Pattern(s)	Forward Lighting - High Beam (DOT) Forward Lighting - Low Beam (DOT)



APPLICATIONS



PRODUCT WARNINGS

For California residents:

⚠ WARNING: Cancer and reproductive harm - www.P65Warnings.ca.gov.

⚠ AVERTISSEMENT: Cancer et effet nocif sur la reproduction - www.P65Warnings.ca.gov.

Print date: 2020-05-31

© 2020 J.W. Speaker Corporation • Germantown, WI U.S.A.
www.jwspeaker.com • speaker@jwspeaker.com • 262.251.6660

J.W. SPEAKER®
Engineered. Lighting. Solutions.

LED Headlights - Model 8700 Evolution 2R

RELATED PRODUCTS



Part Number

0554263

12V DOT LED High &
Low Beam Headlight
with Chrome Inner
Bezel - 2 Light Kit