

# Model 8700 EVO-X Headlight

## PRODUCT INFORMATION

---

<b>Description</b>	12-24V DOT/ECE LED RHT 5-in-1 Heated Headlight with Chrome Bezel
<b>Height</b>	177.20 mm / 6.98 in
<b>Width</b>	177.20 mm / 6.98 in
<b>Depth</b>	84.35 mm / 3.32 in
<b>Shape</b>	Round
<b>Outer Lens Material</b>	Hardcoated Polycarbonate
<b>Outer Lens Color</b>	Clear
<b>Housing Material</b>	Polycarbonate
<b>Housing Color</b>	Black
<b>Bezel Color</b>	Chrome
<b>Retrofits</b>	2D1 "PAR56" or 7" Round Headlights
<b>Minimum Operating Temperature</b>	-40 °C / -40 °F
<b>Maximum Operating Temperature</b>	65 °C / 149 °F
<b>Connector or Wiring</b>	integrated 6-pin Deutsch
<b>Mating Connector</b>	Deutsch DT06-6S



---

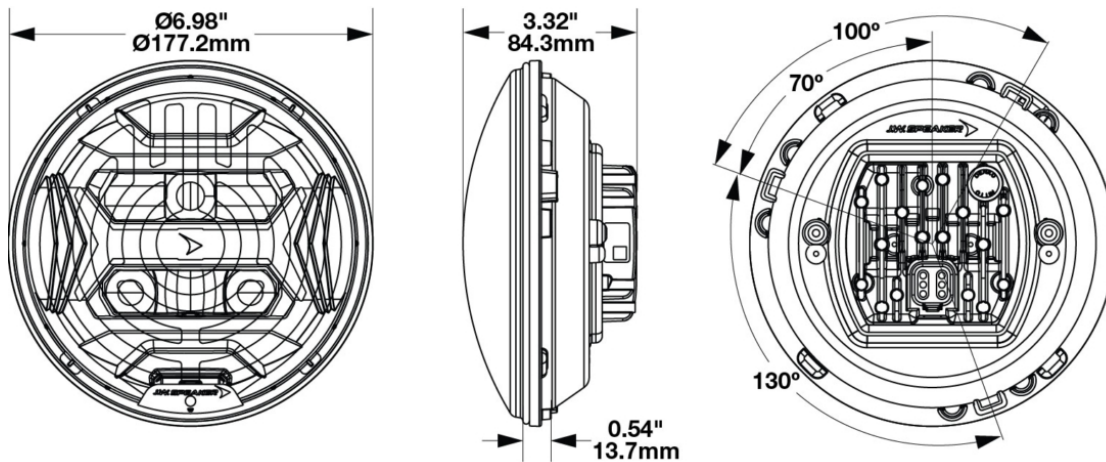
**Print date: 2026-04-17**

© 2026 J.W. Speaker Corporation • Germantown, WI U.S.A.  
www.jwspeaker.com • speaker@jwspeaker.com • 262.251.6660

**J.W. SPEAKER**   
*Engineered. Lighting. Solutions.*

# Model 8700 EVO-X Headlight

## PRODUCT DIMENSIONS



View: Back of Lamp  
6-Pin Deutsch



PIN	FUNCTION
PIN 1	Front Position
PIN 2	Daytime Running Light
PIN 3	Direction Indicator*
PIN 4	Ground
PIN 5	Low Beam
PIN 6	High Beam

Note: Reference number on Deutsch Connector  
\*Direction Indicator (DI) is not DOT compliant

Print date: 2026-04-17

© 2026 J.W. Speaker Corporation • Germantown, WI U.S.A.  
www.jwspeaker.com • speaker@jwspeaker.com • 262.251.6660

# Model 8700 EVO-X Headlight

## ELECTRICAL SPECIFICATIONS

<b>Input Voltage</b>	12-24V DC
<b>Operating Voltage</b>	9-32V DC
<b>Current Draw</b>	5.29A @ 12V DC (Low Beam) 4.33A @ 24V DC (Low Beam) 7.72A @ 12V DC (High Beam) 5.41A @ 24V DC (High Beam) 0.26A @ 12V DC (Front Position) 0.15A @ 24V DC (Front Position) 5.72A @ 12V DC (DRL) 4.48A @ 24V DC (DRL) 2.95A @ 12V DC (Direction Indicator) 1.53A @ 24V DC (Direction Indicator)

## REGULATORY STANDARDS COMPLIANCE



ECE Reg 10	ECE Reg 148 - 1b
ECE Reg 148 - A	ECE Reg 148 - RL
ECE Reg 149 - C	ECE Reg 149 - HR
FMVSS 108 s10.1 (Table XIX)	FMVSS 108 s10.1 (Table XVIII)
FMVSS 108 s7.10	FMVSS 108 s7.8 (Table XIV)
IEC IP67	IEC IP69K
SAE J1383	SAE J2087
SAE J222	

**Print date: 2026-04-17**

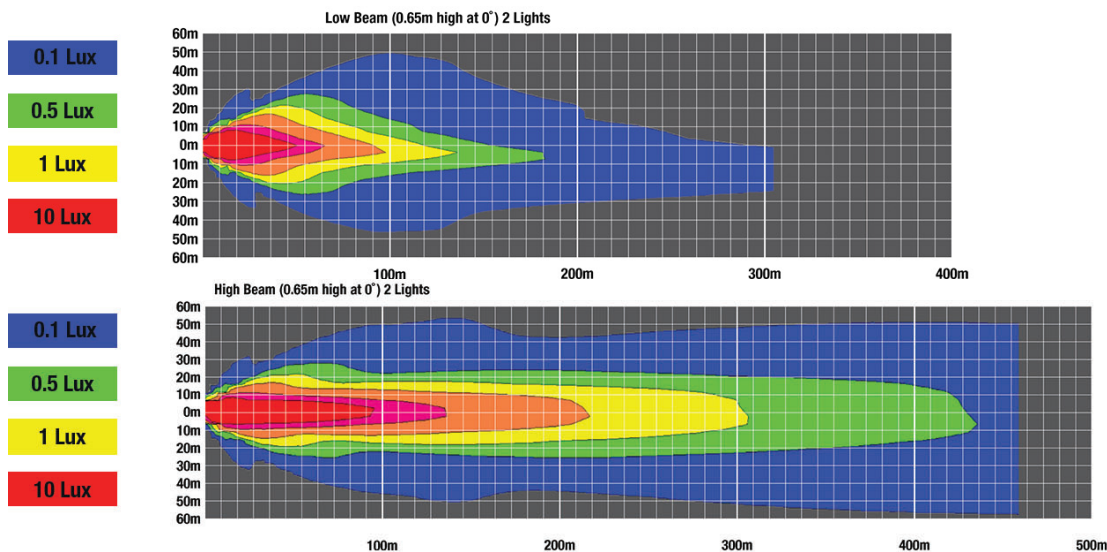
© 2026 J.W. Speaker Corporation • Germantown, WI U.S.A.  
www.jwspeaker.com • speaker@jwspeaker.com • 262.251.6660

**J.W. SPEAKER**  
Engineered. Lighting. Solutions.

# Model 8700 EVO-X Headlight

## PHOTOMETRIC SPECIFICATIONS

<b>Raw Lumen Output</b>	3,740 (High beam), 2,330 (Low Beam)
<b>Effective Lumen Output</b>	1,310 (High Beam), 690 (Low beam)
<b>Candela Output</b>	57,700
<b>Nominal LED Color Temperature</b>	5700 K
<b>Beam Pattern(s)</b>	Forward Lighting - Daytime Running Light Forward Lighting - High Beam (ECE) Forward Lighting - Low Beam (ECE Right Hand) Signalization - Front Position Signalization - Turn (Front)



Print date: 2026-04-17

© 2026 J.W. Speaker Corporation • Germantown, WI U.S.A.  
www.jwspeaker.com • speaker@jwspeaker.com • 262.251.6660

# Model 8700 EVO-X Headlight

## APPLICATIONS

---



## PRODUCT WARNINGS

---

For California residents:

⚠ **WARNING:** Cancer and reproductive harm - [www.P65Warnings.ca.gov](http://www.P65Warnings.ca.gov).

⚠ **AVERTISSEMENT:** Cancer et effet nocif sur la reproduction - [www.P65Warnings.ca.gov](http://www.P65Warnings.ca.gov).

# Model 8700 EVO-X Headlight

## RELATED PRODUCTS

---



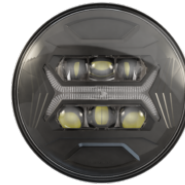
**Part Number**  
**0562231**  
12-24V DOT/ECE LED  
RHT 5-in-1 Headlight  
with Black Bezel



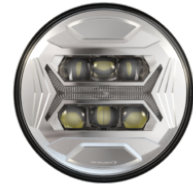
**Part Number**  
**0562241**  
12-24V DOT/ECE LED  
RHT 5-in-1 Headlight  
with Chrome Bezel



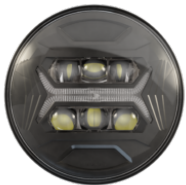
**Part Number**  
**0562251**  
12-24V DOT/ECE LED  
RHT 5-in-1 Heated  
Headlight with Black  
Bezel



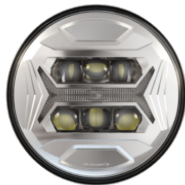
**Part Number**  
**0562271**  
12-24V DOT/ECE LED  
High and Symmetric  
Low Beam Headlight  
with Front Position  
with Black Bezel



**Part Number**  
**0562281**  
12-24V DOT/ECE LED  
High and Symmetric  
Low Beam Headlight  
with Front Position  
with Chrome Bezel



**Part Number**  
**0562291**  
12-24V ECE LED LHT  
5-in-1 Headlight with  
Black Bezel



**Part Number**  
**0562301**  
12-24V ECE LED LHT  
5-in-1 Headlight with  
Chrome Bezel



**Part Number**  
**0562331**  
12-24V DOT LED RHT  
High and Low Beam  
Headlight with Black  
Bezel