

# Model 8600 EVO-X Headlight

## PRODUCT INFORMATION

<b>Description</b>	12-24V DOT/ECE LED High & Symmetric Low Beam Headlight with Black Bezel
<b>Height</b>	143.90 mm / 5.67 in
<b>Width</b>	143.90 mm / 5.67 in
<b>Depth</b>	84.98 mm / 3.35 in
<b>Shape</b>	Round
<b>Outer Lens Material</b>	Hardcoated Polycarbonate
<b>Outer Lens Color</b>	Clear
<b>Housing Material</b>	Polycarbonate
<b>Housing Color</b>	Black
<b>Bezel Color</b>	Black
<b>Retrofits</b>	1C1 & 2C1 "PAR46" or 5.75" Sealed Beams
<b>Minimum Operating Temperature</b>	-40 °C / -40 °F
<b>Maximum Operating Temperature</b>	65 °C / 149 °F
<b>Connector or Wiring</b>	Integrated 6-pin Deutsch to H4 (AMP #172615-2), 10" length
<b>Mating Connector</b>	H4 AMP#172615-2



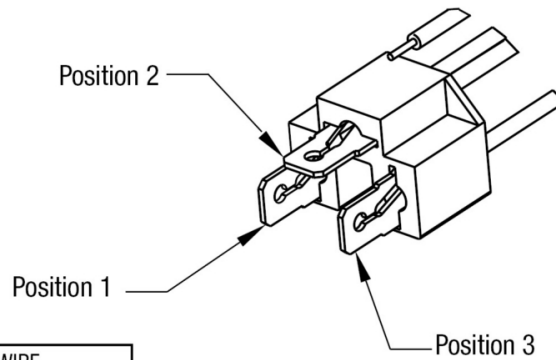
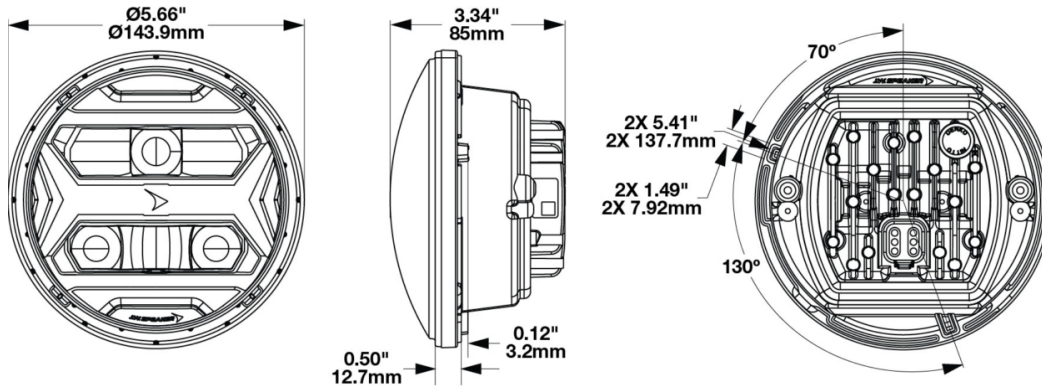
**Print date: 2026-06-05**

© 2026 J.W. Speaker Corporation • Germantown, WI U.S.A.  
[www.jwspeaker.com](http://www.jwspeaker.com) • [speaker@jwspeaker.com](mailto:speaker@jwspeaker.com) • 262.251.6660

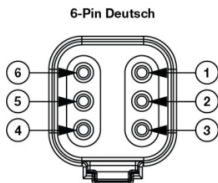
**J.W. SPEAKER**   
*Engineered. Lighting. Solutions.*

# Model 8600 EVO-X Headlight

## PRODUCT DIMENSIONS



PIN	WIRE
1 - Ground	Black
2 - Low Beam	Yellow
3 - High Beam	White



PIN	FUNCTION
PIN 1	Ground
PIN 2	Low Beam
PIN 3	High Beam
PIN 4	Front Position
PIN 5	-
PIN 6	-

Print date: 2026-06-05

© 2026 J.W. Speaker Corporation • Germantown, WI U.S.A.  
 www.jwspeaker.com • speaker@jwspeaker.com • 262.251.6660

# Model 8600 EVO-X Headlight

## ELECTRICAL SPECIFICATIONS

<b>Input Voltage</b>	12-24V DC
<b>Operating Voltage</b>	9-32V DC
<b>Current Draw</b>	1.77A @ 12V DC (Low Beam) 0.88A @ 24V DC (Low Beam) 3.72A @ 12V DC (High Beam) 1.86A @ 24V DC (High Beam) 0.15A @ 12V DC (Front Position) 0.08A @ 24V DC (Front Position)

## REGULATORY STANDARDS COMPLIANCE



ECE Reg 10	ECE Reg 148 - A
ECE Reg 149 - WC-DS	ECE Reg 149 - WR-DS
FMVSS 108 s10.1 (Table XX)	FMVSS 108 s7.8 (Table XIV)
IEC IP67	IEC IP69K
SAE J222	SAE J584

**Print date: 2026-06-05**

© 2026 J.W. Speaker Corporation • Germantown, WI U.S.A.  
www.jwspeaker.com • speaker@jwspeaker.com • 262.251.6660

**J.W. SPEAKER**   
Engineered. Lighting. Solutions.

# Model 8600 EVO-X Headlight

## PHOTOMETRIC SPECIFICATIONS

<b>Raw Lumen Output</b>	3,740 (High beam), 2,330 (Low Beam)
<b>Effective Lumen Output</b>	1,425 (High Beam), 730 (Low beam)
<b>Candela Output</b>	63,000
<b>Nominal LED Color Temperature</b>	5700 K
<b>Beam Pattern(s)</b>	Forward Lighting - High Beam (DOT/ECE) Forward Lighting - Low Beam (DOT/ECE) Signalization - Front Position



## APPLICATIONS



Print date: 2026-06-05

© 2026 J.W. Speaker Corporation • Germantown, WI U.S.A.  
www.jwspeaker.com • speaker@jwspeaker.com • 262.251.6660

# Model 8600 EVO-X Headlight

## PRODUCT WARNINGS

---

For California residents:

⚠ **WARNING:** Cancer and reproductive harm - [www.P65Warnings.ca.gov](http://www.P65Warnings.ca.gov).

⚠ **AVERTISSEMENT:** Cancer et effet nocif sur la reproduction - [www.P65Warnings.ca.gov](http://www.P65Warnings.ca.gov).

## ACCESSORIES

---



**Part Number**  
**3157751**

Double Ring Kit  
Mounting Assembly for  
LED Headlight Model  
8600



**Part Number**  
**3272541**

High Beam/Low Beam  
and Front Position H4  
Harness



**Part Number**  
**3272551**

High Beam and Low  
Beam H4 Harness



**Part Number**  
**3272681**

5-in-1 Flying Lead  
Harness

# Model 8600 EVO-X Headlight

## RELATED PRODUCTS

---



**Part Number**  
**0562371**  
12-24V DOT LED RHT  
High and Low Beam  
Headlight with Black  
Bezel



**Part Number**  
**0562381**  
12-24V DOT LED RHT  
High and Low Beam  
Headlight with Chrome  
Bezel



**Part Number**  
**0562391**  
12-24V DOT LED RHT  
High and Low Beam  
Heated Headlight with  
Black Bezel



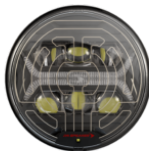
**Part Number**  
**0562401**  
12-24V DOT LED RHT  
High and Low Beam  
Heated Headlight with  
Chrome Bezel



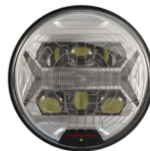
**Part Number**  
**0562411**  
12-24V DOT/ECE LED  
RHT 5-in-1 Headlight  
with Black Bezel



**Part Number**  
**0562421**  
12-24V DOT/ECE LED  
RHT 5-in-1 Headlight  
with Chrome Bezel



**Part Number**  
**0562431**  
12-24V DOT/ECE LED  
RHT 5-in-1 Heated  
Headlight with Black  
Bezel



**Part Number**  
**0562441**  
12-24V DOT/ECE LED  
RHT 5-in-1 Heated  
Headlight with Chrome  
Bezel