

# Model 77 Blue Spot Safety Light

## PRODUCT INFORMATION

<b>Description</b>	12-48V LED Blue Spot Safety Light with AMP Connector
<b>Height</b>	123.16 mm / 4.85 in
<b>Width</b>	88.62 mm / 3.49 in
<b>Depth</b>	83.42 mm / 3.28 in
<b>Shape</b>	Round
<b>Outer Lens Material</b>	Polycarbonate
<b>Outer Lens Color</b>	Clear
<b>Housing Material</b>	Polycarbonate
<b>Housing Color</b>	Black
<b>Mounting Hardware Description</b>	(x1) M10-1.5 x 25 mm Mounting Bolt
<b>Mounting Type</b>	Universal Pedestal Mount
<b>Minimum Operating Temperature</b>	-40 °C / -40 °F
<b>Maximum Operating Temperature</b>	65 °C / 149 °F
<b>Connector or Wiring</b>	Integral 2-Pin AMP Connector
<b>Mating Connector</b>	2-Pin AMP (#180923)
<b>Product Weight</b>	0.63 lbs / 0.29 kgs
<b>Shipping Weight</b>	1.49 lbs / 0.68 kgs
<b>Additional Information</b>	EXEMPT FROM PHOTOBIOLOGICAL WARNING MARKING - RISK GROUP 1 PER IEC 62471 Single packs include harness



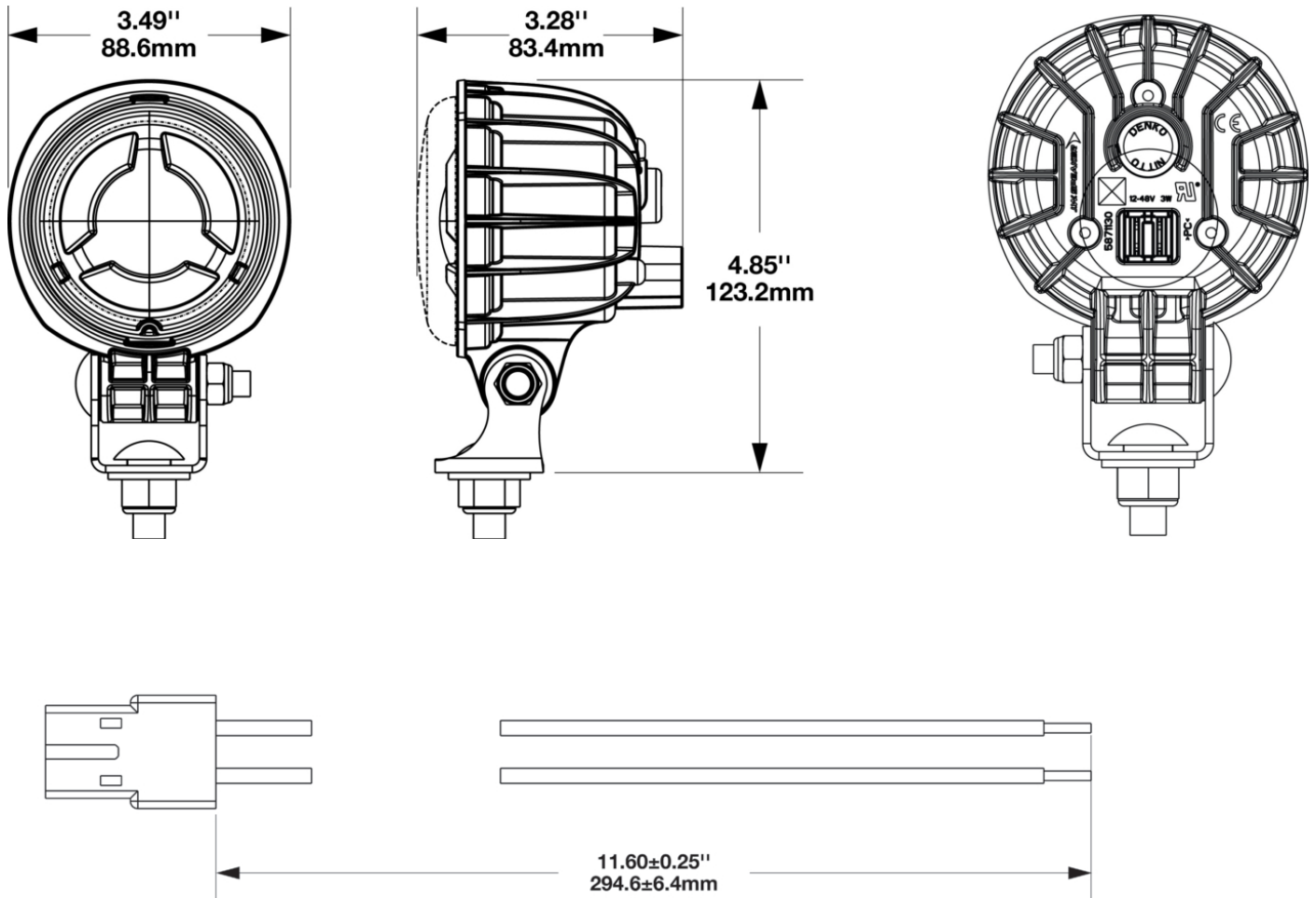
**Print date: 2026-04-10**

© 2026 J.W. Speaker Corporation • Germantown, WI U.S.A.  
www.jwspeaker.com • speaker@jwspeaker.com • 262.251.6660

**J.W. SPEAKER**   
Engineered. Lighting. Solutions.

# Model 77 Blue Spot Safety Light

## PRODUCT DIMENSIONS



Print date: 2026-04-10

© 2026 J.W. Speaker Corporation • Germantown, WI U.S.A.  
www.jwspeaker.com • speaker@jwspeaker.com • 262.251.6660

# Model 77 Blue Spot Safety Light

## ELECTRICAL SPECIFICATIONS

---

<b>Input Voltage</b>	12-48V DC
<b>Operating Voltage</b>	9-60V DC
<b>Black Wire</b>	Ground
<b>Red Wire</b>	Power
<b>Current Draw</b>	0.23A @ 12V DC 0.12A @ 24V DC 0.09A @ 36V DC 0.06A @ 48V DC

## REGULATORY STANDARDS COMPLIANCE

---



CE Recognized  
IEC IP69K

IEC IP67  
UL Recognized

## PHOTOMETRIC SPECIFICATIONS

---

**Beam Pattern(s)** Forward Lighting - Spot  
Warning - Keep Out Zone

## PRODUCT WARNINGS

---

For California residents:

⚠ **WARNING:** Cancer and reproductive harm - [www.P65Warnings.ca.gov](http://www.P65Warnings.ca.gov).

⚠ **AVERTISSEMENT:** Cancer et effet nocif sur la reproduction - [www.P65Warnings.ca.gov](http://www.P65Warnings.ca.gov).

---

**Print date: 2026-04-10**

© 2026 J.W. Speaker Corporation • Germantown, WI U.S.A.  
[www.jwspeaker.com](http://www.jwspeaker.com) • [speaker@jwspeaker.com](mailto:speaker@jwspeaker.com) • 262.251.6660

**J.W. SPEAKER**   
Engineered. Lighting. Solutions.

# Model 77 Blue Spot Safety Light

## RELATED PRODUCTS

---



**Part Number**  
**0647411**

12-48V LED Blue Spot  
Safety Light with  
Deutsch Connector