

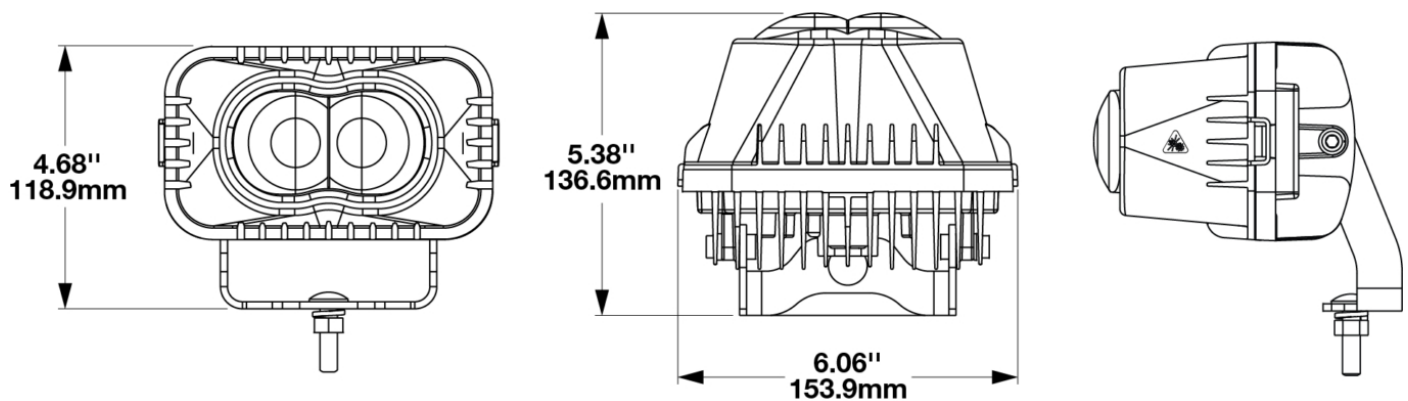
LED Safety Light - Model 560 Warning Projector Light

PRODUCT INFORMATION

Description	12-72V LED Pedestrian Warning Projector Light
Height	118.90 mm / 4.68 in
Width	153.90 mm / 6.06 in
Depth	136.60 mm / 5.38 in
Shape	Rectangular
Outer Lens Material	Acrylic
Outer Lens Color	Clear
Housing Material	Aluminum
Housing Color	Black
Bezel Color	Black
Mounting Hardware Description	28.6 Single Carriage Bolt 5/16-18X1.25
Mounting Type	Adjustable Mount
Minimum Operating Temperature	-40 °C / -40 °F
Maximum Operating Temperature	65 °C / 149 °F
Mating Connector	Aptiv 12110293
Product Weight	1.47 lbs / 0.67 kgs
Shipping Weight	1.72 lbs / 0.78 kgs



PRODUCT DIMENSIONS



Print date: 2026-04-03

© 2026 J.W. Speaker Corporation • Germantown, WI U.S.A.
 www.jwspeaker.com • speaker@jwspeaker.com • 262.251.6660

J.W. SPEAKER
 Engineered. Lighting. Solutions.

LED Safety Light - Model 560 Warning Projector Light

ELECTRICAL SPECIFICATIONS

Input Voltage	12-72V DC
Operating Voltage	10-90V DC
RED Wire	+ Power
WHITE Wire	- Ground
BLACK Wire	Mode Selection
Current Draw	3.4A @ 12V DC (10-90)

REGULATORY STANDARDS COMPLIANCE



IEC IP67

IEC IP69K

PHOTOMETRIC SPECIFICATIONS

Beam Pattern(s) Warning - Flashing Warning
Warning - Keep Out Zone



Print date: 2026-04-03

© 2026 J.W. Speaker Corporation • Germantown, WI U.S.A.
www.jwspeaker.com • speaker@jwspeaker.com • 262.251.6660

LED Safety Light - Model 560 Warning Projector Light

APPLICATIONS



INSTALLATION & APPLICATION INFORMATION

Black Wire is Mode Selection:

Select desired mode by touching black wire to Power + (1-2 sec)

Mode will switch to next state per table below.

Once desired state is set black wire can be removed or capped off.

Lamp will remain in selected mode.

Mode:

Mode Selection 0

Outer LED: Steady On, Inner LED: Steady On

Mode Selection 1

Outer LED: Flash 60 per min (1Hz), Inner LED: Flash 60 per min (1Hz)

Mode Selection 2

Outer LED: Triple flash 60 per min (1Hz), Inner LED: Triple flash 60 per min (1Hz)

Mode Selection 3

Outer LED: Flash 60 per min (1Hz), Inner LED: Triple flash 60 per min (1Hz)

Mode Selection 4

Outer LED: Flash 200 per min (2Hz), Inner LED: Flash 200 per min (2Hz)

Mode Selection 5

Outer LED: Flash 60 per min (1Hz), Inner LED: Steady On

PRODUCT WARNINGS

For California residents:

⚠ WARNING: Cancer and reproductive harm - www.P65Warnings.ca.gov.

⚠ AVERTISSEMENT: Cancer et effet nocif sur la reproduction - www.P65Warnings.ca.gov.

Print date: 2026-04-03

© 2026 J.W. Speaker Corporation • Germantown, WI U.S.A.
www.jwspeaker.com • speaker@jwspeaker.com • 262.251.6660

J.W. SPEAKER 
Engineered. Lighting. Solutions.

LED Safety Light - Model 560 Warning Projector Light

RELATED PRODUCTS



Part Number
1300631
12-72V LED Warning
Projector Light



Part Number
1300661
12-72V LED Universal
Warning Red Projector
Light



Part Number
1300791
12-72V LED Universal
Warning Blue Projector
Light