

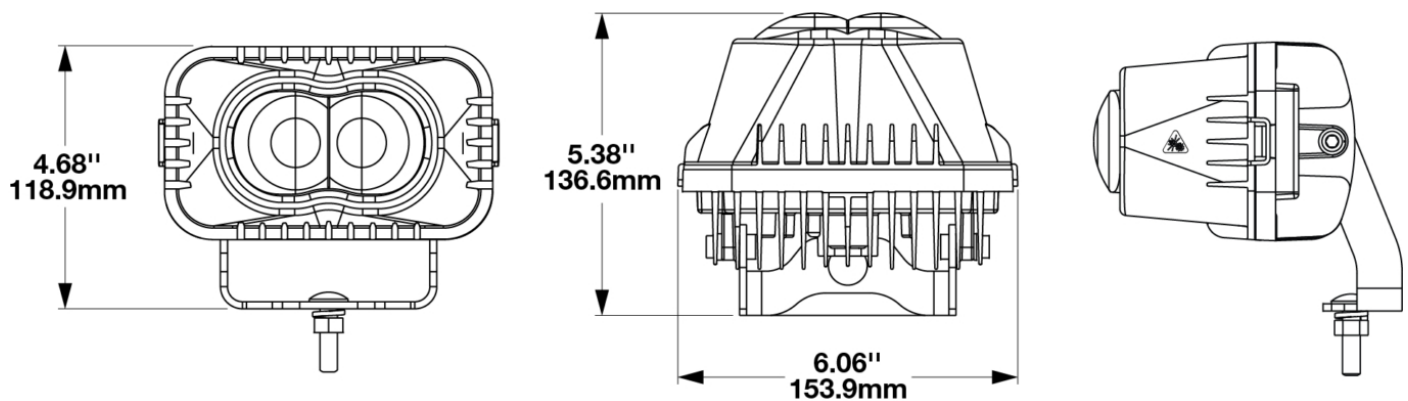
LED Safety Light - Model 560 Warning Projector Light

PRODUCT INFORMATION

Description	12-72V LED Universal Warning Red Projector Light
Height	118.92 mm / 4.68 in
Width	153.90 mm / 6.06 in
Depth	136.65 mm / 5.38 in
Shape	Rectangular
Outer Lens Material	Acrylic
Outer Lens Color	Clear
Housing Material	Aluminum
Housing Color	Black
Bezel Color	Black
Mounting Hardware Description	28.6 Single Carriage Bolt
Mounting Type	Adjustable Mount
Minimum Operating Temperature	-40 °C / -40 °F
Maximum Operating Temperature	65 °C / 149 °F
Mating Connector	Aptiv 12110293
Product Weight	1.47 lbs / 0.67 kgs
Shipping Weight	1.72 lbs / 0.78 kgs



PRODUCT DIMENSIONS



Print date: 2026-04-03

© 2026 J.W. Speaker Corporation • Germantown, WI U.S.A.
www.jwspeaker.com • speaker@jwspeaker.com • 262.251.6660

J.W. SPEAKER
Engineered. Lighting. Solutions.

LED Safety Light - Model 560 Warning Projector Light

ELECTRICAL SPECIFICATIONS

Input Voltage	12-72V DC
Operating Voltage	10-90V DC
Red Wire	+ Power
White Wire	- Ground
Black Wire	Mode Selection
Current Draw	3.6A @ 12V DC (Mode 0)

REGULATORY STANDARDS COMPLIANCE



ECE Reg 10

PHOTOMETRIC SPECIFICATIONS

Beam Pattern(s) Warning - Flashing Warning
Warning - Keep Out Zone



Print date: 2026-04-03

© 2026 J.W. Speaker Corporation • Germantown, WI U.S.A.
www.jwspeaker.com • speaker@jwspeaker.com • 262.251.6660

LED Safety Light - Model 560 Warning Projector Light

APPLICATIONS



INSTALLATION & APPLICATION INFORMATION

Black Wire is Mode Selection:

Select desired mode by touching black wire to Power + (1-2 sec)

Mode will switch to next state per table below.

Once desired state is set black wire can be removed or capped off.

Lamp will remain in selected mode.

Mode:

Mode Selection 0

Outer LED: Steady On, Inner LED: Steady On

Mode Selection 1

Outer LED: Flash 60 per min (1Hz), Inner LED: Flash 60 per min (1Hz)

Mode Selection 2

Outer LED: Triple flash 60 per min (1Hz), Inner LED: Triple flash 60 per min (1Hz)

Mode Selection 3

Outer LED: Flash 60 per min (1Hz), Inner LED: Triple flash 60 per min (1Hz)

Mode Selection 4

Outer LED: Flash 200 per min (2Hz), Inner LED: Flash 200 per min (2Hz)

Mode Selection 5

Outer LED: Flash 60 per min (1Hz), Inner LED: Steady On

PRODUCT WARNINGS

For California residents:

⚠ WARNING: Cancer and reproductive harm - www.P65Warnings.ca.gov.

⚠ AVERTISSEMENT: Cancer et effet nocif sur la reproduction - www.P65Warnings.ca.gov.

Print date: 2026-04-03

© 2026 J.W. Speaker Corporation • Germantown, WI U.S.A.
www.jwspeaker.com • speaker@jwspeaker.com • 262.251.6660

J.W. SPEAKER 
Engineered. Lighting. Solutions.

LED Safety Light - Model 560 Warning Projector Light

RELATED PRODUCTS



Part Number
1300631
12-72V LED Warning
Projector Light



Part Number
1300791
12-72V LED Universal
Warning Blue Projector
Light



Part Number
1300801
12-72V LED Pedestrian
Warning Projector
Light