

# LED Front Position & Signal Lights – Model 215

## PRODUCT INFORMATION

---

<b>Description</b>	12V ECE LED Stop, Tail, & Turn - 2 Light Kit
<b>Height</b>	36.00 mm / 1.42 in
<b>Width</b>	124.00 mm / 4.88 in
<b>Depth</b>	25.50 mm / 1 in
<b>Shape</b>	Rectangular
<b>Outer Lens Material</b>	PMMA
<b>Outer Lens Color</b>	Clear
<b>Housing Material</b>	Polycarbonate
<b>Housing Color</b>	Black
<b>Bezel Color</b>	N/A
<b>Mounting Hardware Description</b>	(x4) Palnut SD250095, 1/4" Self-Threading Nut
<b>Product Weight</b>	0.33 lbs / 0.15 kgs
<b>Shipping Weight</b>	0.37 lbs / 0.17 kgs



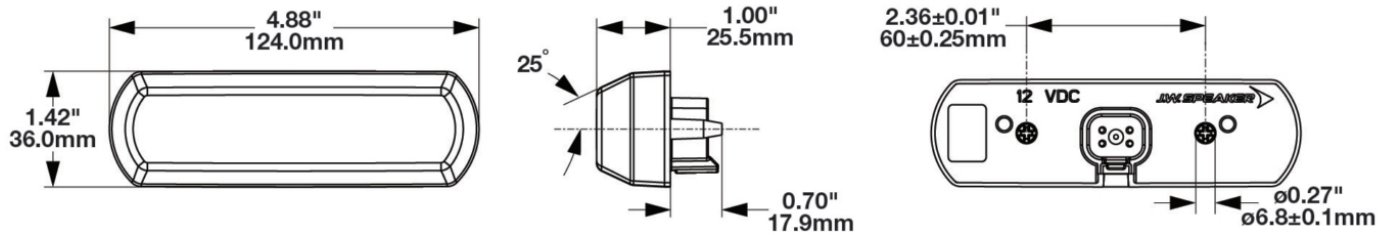
**Print date: 2026-06-29**

© 2026 J.W. Speaker Corporation • Germantown, WI U.S.A.  
 www.jwspeaker.com • speaker@jwspeaker.com • 262.251.6660

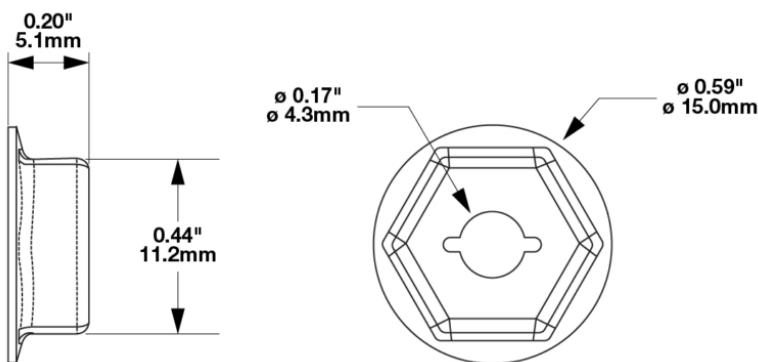
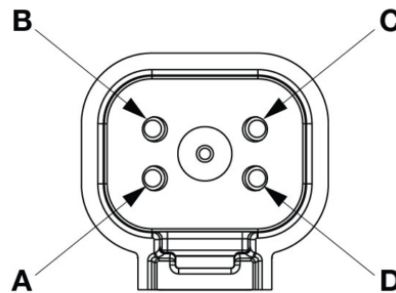
**J.W. SPEAKER**   
 Engineered. Lighting. Solutions.

# LED Front Position & Signal Lights - Model 215

## PRODUCT DIMENSIONS



PIN	FUNCTION
PIN A	GROUND
PIN B	STOP
PIN C	TAIL
PIN D	TURN



5430452  
(Not Included)

Print date: 2026-06-29

© 2026 J.W. Speaker Corporation • Germantown, WI U.S.A.  
www.jwspeaker.com • speaker@jwspeaker.com • 262.251.6660

# LED Front Position & Signal Lights – Model 215

## ELECTRICAL SPECIFICATIONS

<b>Input Voltage</b>	12V DC
<b>Operating Voltage</b>	9-16V DC
<b>Current Draw</b>	0.11A @ 13.5V DC (Stop) 0.12A @ 13.5V DC (Turn) .025A @ 13.5V DC (Tail)

## REGULATORY STANDARDS COMPLIANCE

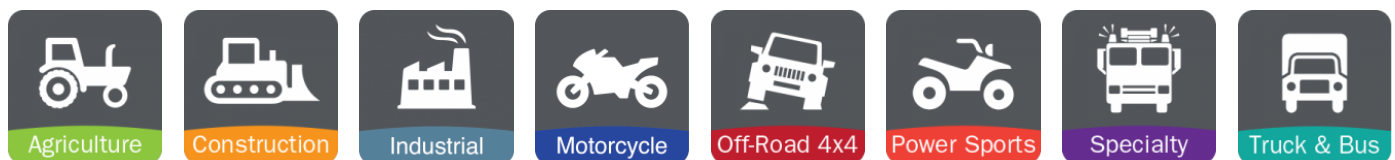


ECE Reg 148 - 2a                      ECE Reg 148 - R1  
ECE Reg 148 - S1                      IEC IP69K

## PHOTOMETRIC SPECIFICATIONS

**Beam Pattern(s)**      Signalization - Stop  
                                    Signalization - Tail  
                                    Signalization - Turn (Rear)

## APPLICATIONS



## PRODUCT WARNINGS

For California residents:

⚠ **WARNING:** Cancer and reproductive harm - [www.P65Warnings.ca.gov](http://www.P65Warnings.ca.gov).

⚠ **AVERTISSEMENT:** Cancer et effet nocif sur la reproduction - [www.P65Warnings.ca.gov](http://www.P65Warnings.ca.gov).

**Print date: 2026-06-29**

© 2026 J.W. Speaker Corporation • Germantown, WI U.S.A.  
www.jwspeaker.com • speaker@jwspeaker.com • 262.251.6660

**J.W. SPEAKER**   
Engineered. Lighting. Solutions.

# LED Front Position & Signal Lights - Model 215

## ACCESSORIES

---



**Part Number**  
**3270601**

Wire Harness, 12"  
18GA w/ DT06-3S

## RELATED PRODUCTS

---



**Part Number**  
**0348251**

12V ECE/SAE LED  
Front Position &  
Direction Indicator  
Light



**Part Number**  
**0348252**

12V ECE/SAE LED  
Front Position &  
Direction Indicator  
Light (BULK)



**Part Number**  
**0348451**

24V ECE LED Front  
Position & Direction  
Indicator Light



**Part Number**  
**0348452**

24V ECE LED Front  
Position & Direction  
Indicator Light (BULK)



**Part Number**  
**0348723**

12V SAE LED Stop, Tail  
& Turn Light - 2 Light  
Kit



**Part Number**  
**0348733**

12V ECE/SAE LED  
Direction Indicator - 2  
Light Kit

---

Print date: 2026-06-29

© 2026 J.W. Speaker Corporation • Germantown, WI U.S.A.  
www.jwspeaker.com • speaker@jwspeaker.com • 262.251.6660